

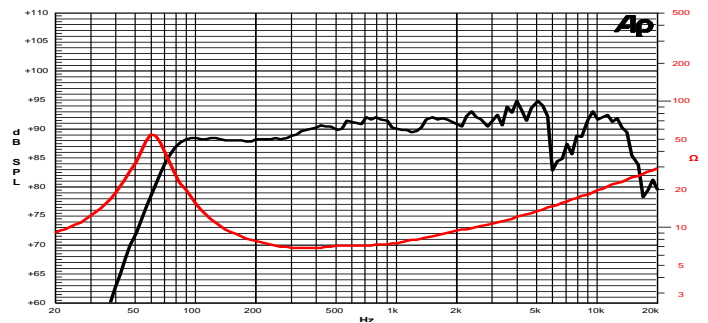
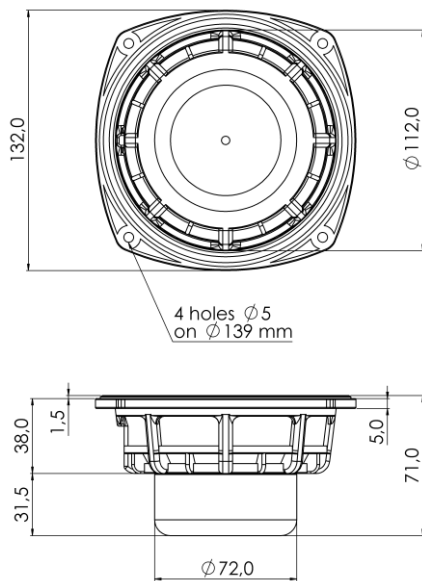
## 5 NR 1,5 PL 8Ω

5" | 260 W

Code Z002650

Professional

- 1,5" voice coil Kapton former and Aluminium Winding
- **DAR** Rubber surround with Double Asymmetric Rolls Technology (DAR)
- **WpT** Waterproof Cone Treatment
- Neodymium Magnet Circuit
- **VVc** Ventilated Voice Coil to reduce Power Compression
- 90.0 dB sensitivity
- Frequency Range 60-5000 Hz



Frequency Response on 10 Lt @ 75 Hz Vented Box @ 1W, 1m  
Free Air Impedance

### General Specifications

|   |              |
|---|--------------|
| Nominal Diameter                        | 132 mm (5")  |
| Nominal Impedance                       | 8 Ω          |
| Rated Power AES <sup>(1)</sup>          | 130 W        |
| Continuous Program Power <sup>(2)</sup> | 260 W        |
| Sensitivity @ 1W/1m <sup>(3)</sup>      | 90.0 dB      |
| Voice Coil Diameter                     | 38 mm (1,5") |
| Voice Coil Winding Depth                | 12 mm        |
| Magnetic Gap Depth                      | 6 mm         |
| Flux Density                            | 1.14 T       |
| Magnet Weight                           | 98 g         |
| Net Weight                              | 0.8 kg       |

### Thiele & Small Parameters<sup>(4)</sup>

|                 |           |                 |                      |
|-----------------|-----------|-----------------|----------------------|
| $R_e$           | 5.6 Ω     | $F_s$           | 61.0 Hz              |
| $Q_{ms}$        | 4.10      | $Q_{es}$        | 0.39                 |
| $Q_{ts}$        | 0.35      | $M_{ms}$        | 8.0 g                |
| $C_{ms}$        | 851 μm/N  | $B_{xl}$        | 6.65 Tm              |
| $V_{as}$        | 7.4 l     | $S_d$           | 78.5 cm <sup>2</sup> |
| $X_{max}^{(5)}$ | +/-3.5 mm | $X_{var}^{(6)}$ | +/-6.0 mm            |
| $\eta_0$        | 0.42 %    | $L_e$ (1kHz)    | 0.34 mH              |

### Constructive Characteristics

|                             |                              |
|-----------------------------|------------------------------|
| Magnet                      | Neodymium                    |
| Basket Material             | Aluminium Die-Cast           |
| Voice Coil Winding Material | Aluminium                    |
| Voice Coil Former Material  | Kapton                       |
| Cone Material               | Paper                        |
| Cone Treatment              | Surface Waterproof Treatment |
| Surround Material           | Rubber                       |
| Dust Dome Material          | Treated Cloth                |

### Mounting Information

|                        |                       |
|------------------------|-----------------------|
| Overall Diameter       | 132 mm                |
| Baffle Cutout Diameter | 113 mm                |
| Mounting Holes         | 4 holes ø5 on ø139 mm |
| Total Depth            | 71 mm                 |

(1) Rated Power measured with 2-hour test with pink noise signal, 6dB crest factor, loudspeaker in free air, power calculated on rated Zmin. (2) Power on Continuous Program is defined as 3dB greater than the Rated Power. (3) Calculated by Thiele & Small parameters, for SPL average in box refer to frequency response. (4) Thiele & Small parameters measured with laser system after preconditioning test. (5) Measured with respect to a THD of 10%. (6) Value corresponding to a decay of the Force Factor, or Compliance, or both, equal to the 50% of the small signal value. (7) Drawing dimensions: mm.