

## 12S302

Ultra Low Distortion Low Midrange Driver

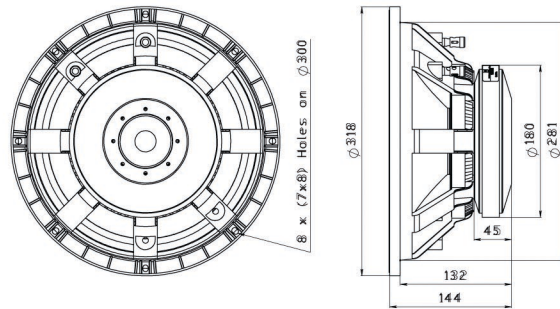


### Features:

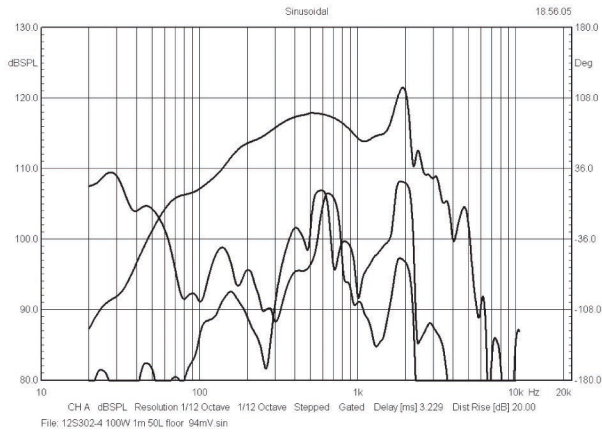
- 96 dB sensitivity 1 W / 1 m
- 500 W Power handling
- 3" voice coil
- Double treated cone for water protection
- Triple aluminum demodulating rings for ultra low distortion
- Optimal for compact 2- or 3-way systems
- Light weight carbon fibre diaphragm

## SPECIFICATIONS

APPLICATION	Low-middle	
Nominal Impedance	Ohm	8
Power handling AES noise	W	500
Sensitivity (1 W / 1 m)	dB	96
Frequency response	Hz	45-2500
Voice Coil Diameter	mm	77
Voice Coil Material	Cu	
Voice Coil Winding Depth	mm	19
Magnet Gap Depth	mm	10
Basket		Cast Aluminum
Effect. Diaphragm Diameter D	mm	260

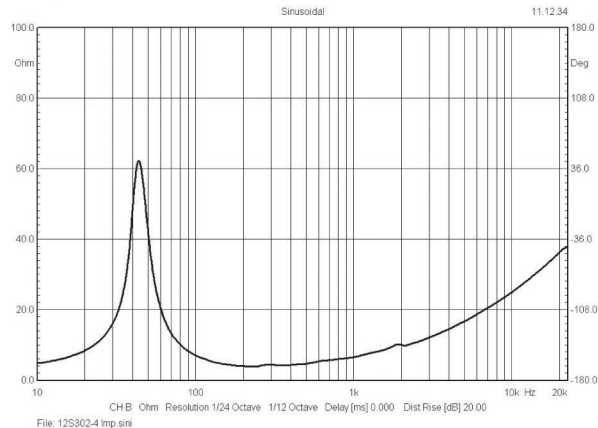


Frequency response measured 100 W (28.3 V) at 1 m in a closed enclosure of 50 Liter in an anechoic chamber incl. 2nd and 3rd harmonic distortion raised 20 dB.



File: 12S302-4 100W 1m 50L floor 94mV.sin

### Impedance - 8 Ohm driver



File: 12S302-4 Imp.sin

THIELE-SMALL PARAMETERS			
Resonance Frequency	Fs	Hz	45
DC Resistance	Re	Ohm	3
Mechanical Q Factor	Qms		5
Electrical Q Factor	Qes		0.267
Total Quality Factor	Qts		0.253
Equivalent Volume	Vas	L	65
Moving Mass	Mms	kg	0.077
Mechanical Compliance	Cms	mm / N	0.16
BL Factor	BL	Tesla m	15.65
Effective Piston Area	Sd	m <sup>2</sup>	0.0531
Max. linear Excursion	Xmax	mm	± 4.5
Voice Coil Inductance	Le1k	mH	0.5
	Le10k	mH	0.32

MOUNTING INFORMATION		
Overall diameter	mm	318
Mounting holes diameter	mm	8 x (7 x 8)
Bolt circle diameter	mm	300
Baffle cut-out diameter	mm	284
Overall depth	mm	144
Net weight	kg	6.7

### Recommended reflex enclosure

17L/62Hz, BRD=80mm/148mm long

25L/60Hz, BRD=100mm/177mm long