

TT 808-AS

PROFESSIONAL ACTIVE SUBWOOFER

DESCRIPTION

TT 808-AS is a compact low-profile high-performance active subwoofer. It features two vented-loaded 8" cone woofers powered by a 1000 Watts two-channel amplifier -one for each woofer- on a baltic birch plywood cabinet painted with black polyurea and weatherproof treatment. Management and tuning are available via RDNet software or using the two preset buttons, a polarity button, and a variable delay accessible from the back panel. The cabinet features rubber feet on two sides and two threaded pole-mounts for horizontal and vertical placement. Two stabilizing brackets make the vertical placement stable and firm. TT 808-AS can be used stand-alone, in subwoofer arrays, or as the low-frequency complement for TT 515-A speaker.

FEATURES

- 129 dB max SPL
- 40 Hz to 400 Hz frequency range
- 1000 W RMS Class-D Amplifier
- 2 x 8" neodymium woofers, 2.5" v.c
- RDNet on board
- Bass Motion Control excursion management
- Flexible Rigging
- Rotatable TT+ Logo

TECHNICAL SPECIFICATIONS

Acoustical specifications	Frequency Response:	40 Hz ÷ 400 Hz
	Max SPL @ 1m:	129 dB
Transducers	Woofers:	2 x 8" neo, 2.5" v.c
Input/Output section	Input signal:	bal/unbal
	Input connectors:	XLR, RDNet Ethercon
	Output connectors:	XLR, RDNet Ethercon
	Input sensitivity:	-2 dBu/+4 dBu
Processor section	Protections:	Excurs.
	Limiter:	Fast Limiter
	Controls:	Gain, Equalization, ByPass on board
	RDNet:	Yes
Power section	Total Power:	2000 W Peak, 1000 W RMS
	Low frequencies:	2000 W Peak, 1000 W RMS
	Cooling:	Convection
	Connections:	Powercon IN/OUT
Standard compliance	CE marking:	Yes
Physical specifications	Cabinet/Case Material:	Baltic birch plywood
	Hardware:	2X M20 TOP AND SIDE 8X M10 2X SIDE
	Handles:	2 1 X SIDE
	Grille:	Steel
	Color:	Black
Size	Height:	243.5 mm / 9.59 inches
	Width:	603.5 mm / 23.76 inches
	Depth:	430 mm / 16.93 inches
	Weight:	20 kg / 44.09 lbs
Shipping informations	Package Height:	290 mm / 11.42 inches
	Package Width:	480 mm / 18.9 inches
	Package Depth:	650 mm / 25.59 inches
	Package Weight:	21 kg / 46.3 lbs

PART NUMBER

- **13000731**

TT 808-AS

115V

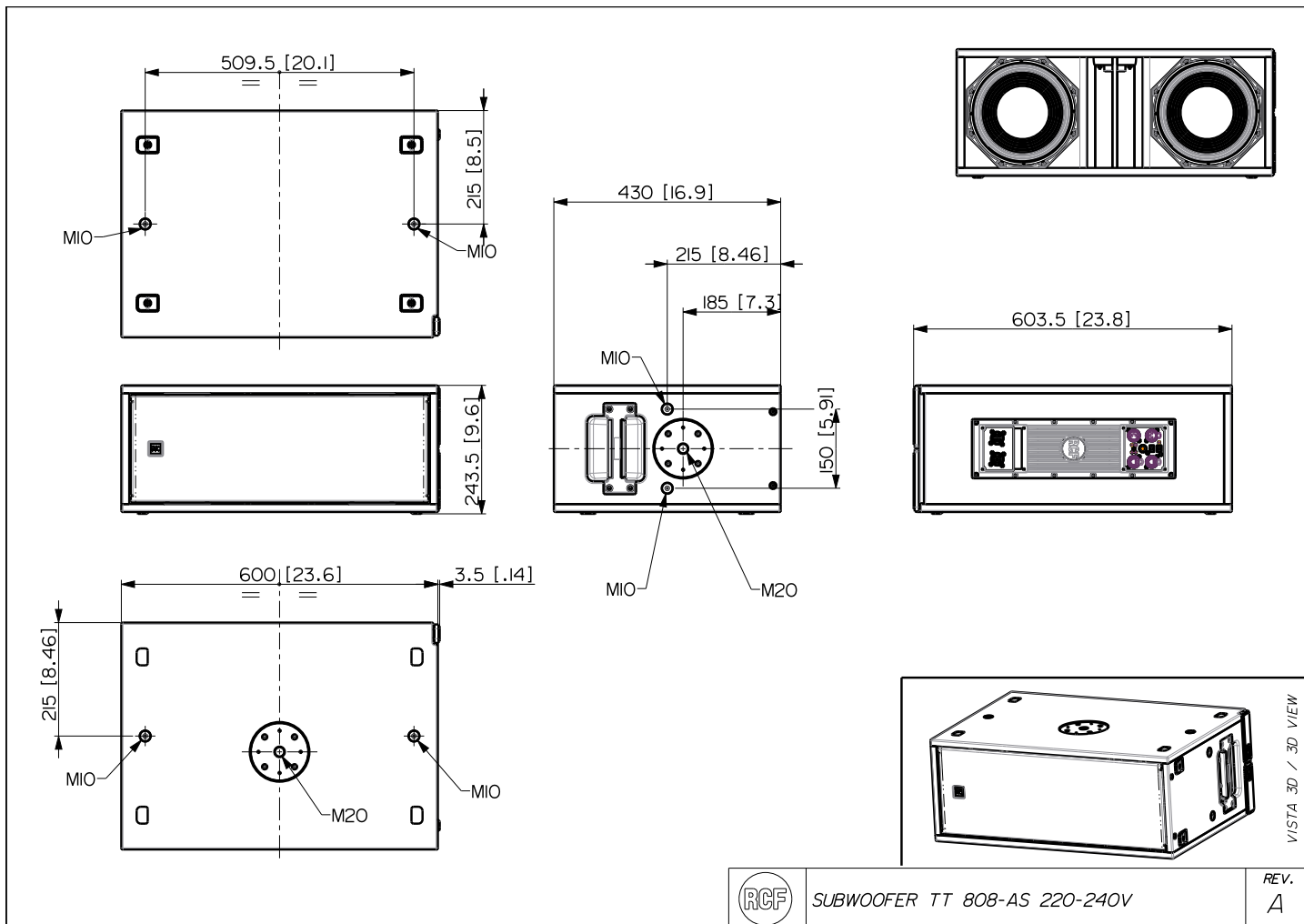
EAN 8024530019600

- **13000693**

TT 808-AS

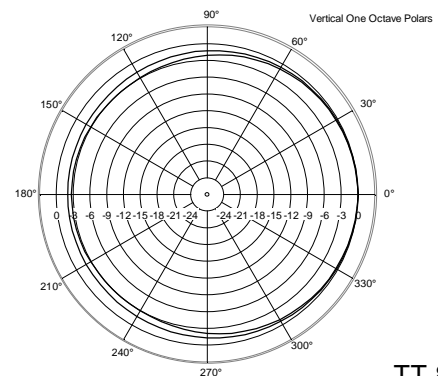
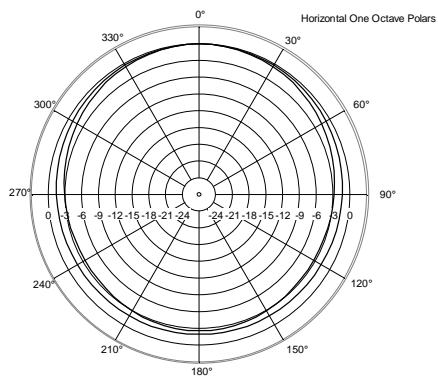
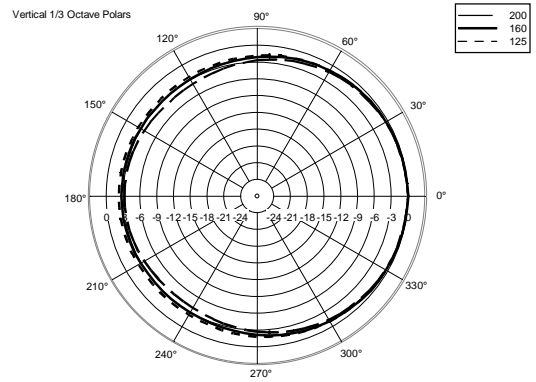
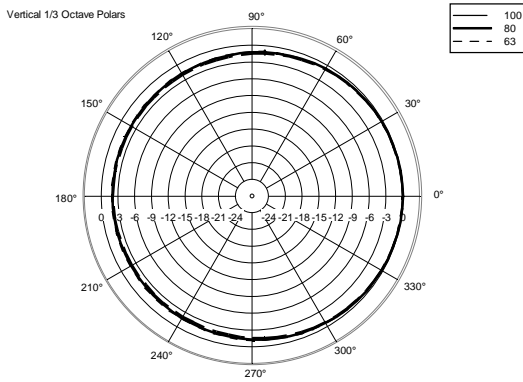
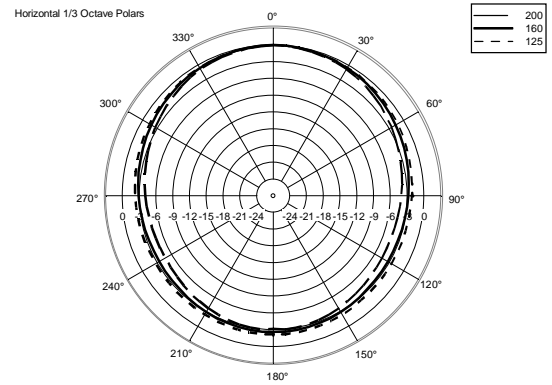
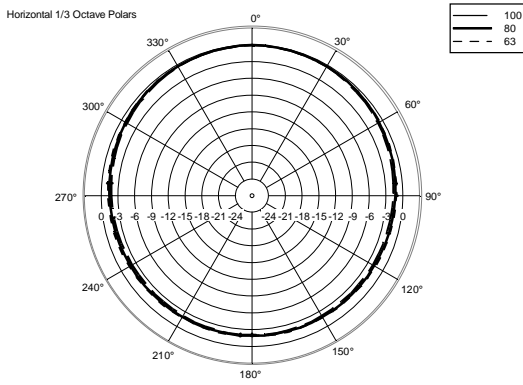
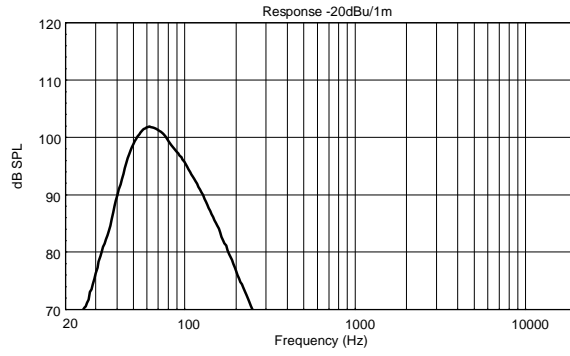
220-240V

EAN 8024530019532



SUBWOOFER TT 808-AS 220-240V

REV.
A



ACCESSORIES

AC PM-M20

PART NUMBER **13360067**

EAN: 8024530014599



AC PMX POLE MOUNT M20

PART NUMBER **13360232**

EAN: 8024530010058



COVER CVR TT 808

PART NUMBER **13360486**

EAN:



RAIN PROTECTION RP 1X HDL 6

PART NUMBER **13360381**

EAN: 8024530015169