

ESOTERIC

K-05Xs/K-07Xs

Super Audio CD/CD Player

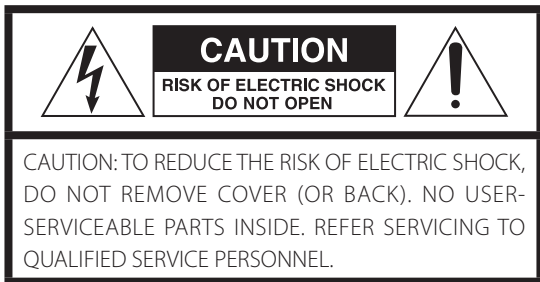
OWNER'S MANUAL..... 3

MODE D'EMPLOI..... 33

MANUAL DEL USUARIO..... 63



IMPORTANT SAFETY INSTRUCTIONS



The lightning flash with arrowhead symbol, within an equilateral triangle, is intended to alert the user to the presence of uninsulated "dangerous voltage" within the product's enclosure that may be of sufficient magnitude to constitute a risk of electric shock to persons.



The exclamation point within an equilateral triangle is intended to alert the user to the presence of important operating and maintenance (servicing) instructions in the literature accompanying the appliance.

WARNING: TO PREVENT FIRE OR SHOCK HAZARD, DO NOT EXPOSE THIS APPLIANCE TO RAIN OR MOISTURE.

CAUTION

- DO NOT REMOVE THE EXTERNAL CASES OR CABINETS TO EXPOSE THE ELECTRONICS. NO USER SERVICEABLE PARTS ARE INSIDE.
- IF YOU ARE EXPERIENCING PROBLEMS WITH THIS PRODUCT, CONTACT THE STORE WHERE YOU PURCHASED THE UNIT FOR A SERVICE REFERRAL. DO NOT USE THE PRODUCT UNTIL IT HAS BEEN REPAIRED.
- USE OF CONTROLS OR ADJUSTMENTS OR PERFORMANCE OF PROCEDURES OTHER THAN THOSE SPECIFIED HEREIN MAY RESULT IN HAZARDOUS RADIATION EXPOSURE.

- 1) Read these instructions.
- 2) Keep these instructions.
- 3) Heed all warnings.
- 4) Follow all instructions.
- 5) Do not use this apparatus near water.
- 6) Clean only with dry cloth.
- 7) Do not block any ventilation openings. Install in accordance with the manufacturer's instructions.
- 8) Do not install near any heat sources such as radiators, heat registers, stoves, or other apparatus (including amplifiers) that produce heat.
- 9) Do not defeat the safety purpose of the polarized or grounding-type plug. A polarized plug has two blades with one wider than the other. A grounding type plug has two blades and a third grounding prong. The wide blade or the third prong are provided for your safety. If the provided plug does not fit into your outlet, consult an electrician for replacement of the obsolete outlet.
- 10) Protect the power cord from being walked on or pinched particularly at plugs, convenience receptacles, and the point where they exit from the apparatus.

- 11) Only use attachments/accessories specified by the manufacturer.

- 12) Use only with the cart, stand, tripod, bracket, or table specified by the manufacturer, or sold with the apparatus. When a cart is used, use caution when moving the cart/apparatus combination to avoid injury from tip-over.



- 13) Unplug this apparatus during lightning storms or when unused for long periods of time.
- 14) Refer all servicing to qualified service personnel. Servicing is required when the apparatus has been damaged in any way, such as power-supply cord or plug is damaged, liquid has been spilled or objects have fallen into the apparatus, the apparatus has been exposed to rain or moisture, does not operate normally, or has been dropped.

- The apparatus draws nominal non-operating power from the AC outlet with its POWER or STANDBY/ON switch not in the ON position.
- The mains plug is used as the disconnect device; the disconnect device shall remain readily operable.
- Caution should be taken when using earphones or headphones with the product because excessive sound pressure (volume) from earphones or headphones can cause hearing loss.

WARNING

Products with Class **I** construction are equipped with a power supply cord that has a grounding plug. The cord of such a product must be plugged into an AC outlet that has a protective grounding connection.

IN USA/CANADA, USE ONLY ON 120V SUPPLY.

CAUTION

- Do not expose this apparatus to drips or splashes.
- Do not place any objects filled with liquids, such as vases, on the apparatus.
- Do not install this apparatus in a confined space such as a book case or similar unit.
- The apparatus should be located close enough to the AC outlet so that you can easily reach the power cord plug at any time.
- If the product uses batteries (including a battery pack or installed batteries), they should not be exposed to sunshine, fire or excessive heat.
- CAUTION for products that use replaceable lithium batteries: there is danger of explosion if a battery is replaced with an incorrect type of battery. Replace only with the same or equivalent type.

IMPORTANT SAFETY INSTRUCTIONS (continued)

Precautions concerning batteries

Misuse of batteries could cause them to rupture or leak leading to fire, injury or the staining of nearby things. Please read and observe the following precautions carefully.

- Be sure to insert the batteries with correct positive (⊕) and negative (⊖) orientations.
- Use batteries of the same type. Never use different types of batteries together.
- If the remote control is not used for a long time (more than a month), remove the batteries to prevent them from leaking.
- If the batteries leak, wipe away the leakage inside the battery compartment and replace the batteries with new ones.
- Do not use batteries of types other than those specified. Do not mix new batteries with old ones or use different types of batteries together.
- Do not heat or disassemble batteries. Never throw batteries into fire or water.
- Do not carry or store batteries with other metallic objects. The batteries could short circuit, leak or explode.
- Never recharge a battery unless it is confirmed to be a rechargeable type.

Laser information

This product contains a semiconductor laser system inside the cabinet and is classified as a "CLASS 1 LASER PRODUCT".

To prevent being exposed to the laser beam, do not try to open the enclosure.

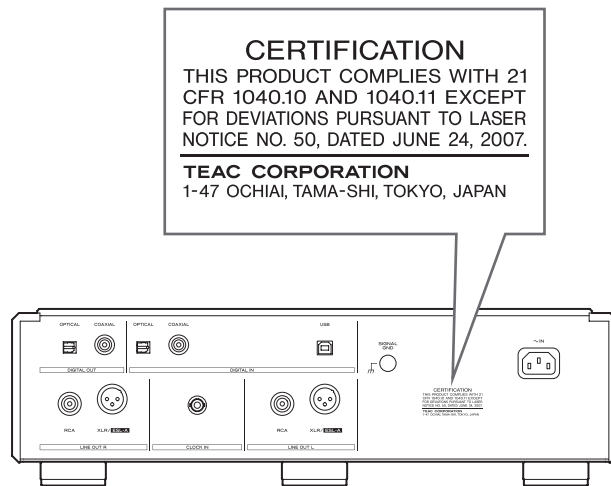
Laser:

Type:	SLD6163RL-G
Manufacturer:	SONY CORPORATION
Laser output:	Less than 1 mW on the objective lens
Wavelength:	785±15 nm (CD) 655±10 nm (Super Audio CD)

Model for USA

This product has been designed and manufactured according to FDA regulations "title 21, CFR, chapter 1, subchapter J, based on the Radiation Control for Health and Safety Act of 1968", and is classified as class **I** laser product. There is not hazardous invisible laser radiation during operation because invisible laser radiation emitted inside of this product is completely confined in the protective housings.

The label required in this regulation is as follows:



Declaration of Conformity



Responsible party:

Pioneer & Onkyo U.S.A. Corporation

Address: 22828 Lockness Avenue, Torrance, CA 90501 U.S.A.

Telephone number: 1-201-785-2600

This device complies with Part.15 of FCC Rules.

Operation is subject to the following two conditions:

- 1) This device may not cause harmful interference
- 2) This device must accept any interference received, including interference that may cause undesired operation.

Information

This equipment has been tested and found to comply with the limits for a Class B digital device, pursuant to Part 15 of the FCC Rules. These limits are designed to provide reasonable protection against harmful interference in a residential installation. This equipment generates, uses, and can radiate radio frequency energy and, if not installed and used in accordance with the instructions, may cause harmful interference to radio communications. However, there is no guarantee that interference will not occur in a particular installation. If this equipment does cause harmful interference to radio or television reception, which can be determined by turning the equipment off and on, the user is encouraged to try to correct the interference by one or more of the following measures:

- Reorient or relocate the equipment and/or the receiving antenna.
- Increase the separation between the equipment and receiver.
- Connect the equipment into an outlet on a circuit different from that to which the receiver is connected.
- Consult the dealer or an experienced radio/TV technician for help.

CAUTION

Changes or modifications not expressly approved by the party responsible for compliance could void the user's authority to operate the equipment.

Model for Canada

Industry Canada's Compliance Statement:
This Class B digital apparatus complies with Canadian ICES-003.



Model for Europe



This product complies with the European Directives request, and the other Commission Regulations.

For European Customers

Disposal of electrical and electronic equipment and batteries and/or accumulators

- All electrical/electronic equipment and waste batteries/accumulators should be disposed of separately from the municipal waste stream via collection facilities designated by the government or local authorities.
- By disposing of electrical/electronic equipment and waste batteries/accumulators correctly, you will help save valuable resources and prevent any potential negative effects on human health and the environment.
- Improper disposal of waste electrical/electronic equipment and batteries/accumulators can have serious effects on the environment and human health because of the presence of hazardous substances in the equipment.
- The Waste Electrical and Electronic Equipment (WEEE) symbols, which show wheeled bins that have been crossed out, indicate that electrical/electronic equipment and batteries/accumulators must be collected and disposed of separately from household waste.  If a battery or accumulator contains more than the specified values of lead (Pb), mercury (Hg), and/or cadmium (Cd) as defined in the Battery Directive (2006/66/EC), then the chemical symbols for those elements will be indicated beneath the WEEE symbol.  **Pb, Hg, Cd**
- Return and collection systems are available to end users. For more detailed information about the disposal of old electrical/electronic equipment and waste batteries/accumulators, please contact your city office, waste disposal service or the shop where you purchased the equipment.

Trademarks and copyrights

"DSD" is a registered trademark.

"Super Audio CD" is a registered trademark.

This product incorporates copy protection technology that is protected by U.S. patents and other intellectual property rights of Rovi Corporation. The use of Rovi Corporation's copy protection technology in the product must be authorized by Rovi Corporation. Reverse engineering and disassembly are prohibited.

Microsoft and Windows are either registered trademarks or trademarks of Microsoft Corporation in the United States and/or other countries.

Apple, Mac, OS X and macOS are trademarks of Apple Inc., registered in the U.S. and other countries.

Bulk Pet is a registered trademark of INTERFACE CO., LTD.

ESOTERIC is a trademark of TEAC CORPORATION, registered in the U.S. and other countries.

Other company names, product names and logos in this document are the trademarks or registered trademarks of their respective owners.

ATTENTION

This unit outputs analog and digital signals only from the currently selected analog and digital connector types.

Before use, set the analog output to ESLA, XLR2, XLR3, RCA or OFF, and set the digital output to OFF or ON.

See "Setting mode" on page 24, "Analog output setting" and "Digital output setting" on page 26.

Thank you for purchasing this ESOTERIC product. Read this manual carefully to get the best performance from this product. After reading it, keep it in a safe place with the warranty card for future reference.

IMPORTANT SAFETY INSTRUCTIONS	3
Trademarks and copyrights	5
Before use	7
Precautions for use	7
Notes about discs	8
Notes about the remote control	9
Making connections	10
Remote control parts and functions	12
Main unit parts and functions	14
Display parts and functions	15
Playback	16
Display	18
Selecting tracks	18
Repeat playback	19
Program playback	20
D/A converter mode	21
Connecting with a computer and playing back audio files	22
Setting mode	24
Setting items and their options	25
Dimmer	27
Troubleshooting	28
K-05Xs specifications	30
K-07Xs specifications	31
Dimensional drawings	32

What's in the box

Check to be sure the box includes all the supplied accessories shown below. Please contact the store where you purchased this unit if any of these accessories are missing or have been damaged during transportation.

- Power cord × 1
- Remote control (RC-1301) × 1
- Batteries for remote control (AAA) × 2
- Felt pads × 3
- Owner's manual (this document) × 1
- Warranty card × 1

Maintenance

Use a soft dry cloth to wipe the surface of the unit clean. For stubborn smudges, use a damp cloth that has been thoroughly wrung out to remove excess moisture.

- Never spray liquid directly on this unit.
- Do not wipe with chemical cleaning cloths, thinner or other chemical agents. Doing so could damage the surface.
- Avoid allowing rubber or plastic materials to touch the unit for long periods of time because they could damage the cabinet.



For your safety, disconnect the power cord from the outlet before cleaning.

- Do not place anything on top of the unit.
- Do not install this unit in a location that could become hot. This includes places that are exposed to direct sunlight or near a radiator, heater, stove or other heating equipment. Moreover, do not place it on top of an amplifier or other equipment that generates heat. Doing so could cause discoloration or deformation.
- In order to enable good heat dissipation, leave at least 20 cm (8") between this unit and walls and other equipment when installing it. If you put it in a rack, take precautions to prevent overheating by leaving at least 5 cm (2") open above the top of the unit and at least 10 cm (4") open behind the unit. Failure to provide these gaps could cause heat to build up inside and result in fire.
- If installing in a rack with a glass door, do not use the remote control tray OPEN/CLOSE (▲) button to open the disc tray when the door is closed. If the disc tray is forcibly prevented from moving, damage could result.
- Place the unit in a stable location.
- Do not lift or move the unit during playback because the disc rotates at high speed. Doing so could damage the disc.
- Always remove any loaded disc before moving this unit or packing it for installation in a different location, for example. Moving the unit with a disc inside could cause damage.
- Supply voltage to the unit that matches the voltage indicated on the rear panel. If you are in any doubt regarding this matter, consult an electrician.
- Do not open the body of the unit as this might result in damage to the circuitry or cause electric shock. If a foreign object should get into the unit, contact your dealer.
- When removing the power plug from an outlet, always pull directly on the plug. Never pull on the cord itself.

Precaution when recording with a connected device

Some discs include signals to prevent copying. You cannot record the digital audio signal as is from a disc that has such copy-protection. (You can record the audio as an analog signal.)

Notes about discs

The following marks appear on disc labels and disc cases. This unit can play discs that have these marks without using an adapter. This unit cannot play discs that do not have these marks.

Types of discs that can be played on this unit and their marks



If you try to play any other type of disc with this unit, loud noises that could damage speakers or harm hearing might occur. Never try to play any type of disc other than those shown above.

- This unit cannot play DVD video, DVD audio, video CD, DVD-ROM and CD-ROM discs, for example.
- This unit might not be able to properly play Dual Discs, Copy Control CDs or other special CDs that do not conform to the Red Book CD standard. Operation and sound quality cannot be guaranteed when special discs are used in this unit. If playback of a special disc should cause trouble, contact the seller of the disc.

CD-R/CD-RW discs

This unit can play CD-R/CD-RW discs that are in audio CD format.

- Be sure to finalize discs created by CD recorders.

Depending on the quality of the disc and the condition of the recording, playback might not be possible. For details, see the operation manual for the device you are using.

Handling discs

- Load discs with their labeled sides up.
(CDs only have one playable side.)
- To remove a disc from its case, always press down on the center of the case first and then hold the disc by its edges.

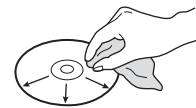
Removal from case



Holding by edges

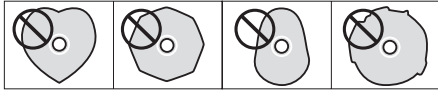


- Be careful when handling discs. If the side that contains the data (unlabeled side) is scratched, smudged with fingerprints or otherwise dirty or marred, errors could occur during playback.
- If the side of the disc that has the data encoded on it (unlabeled side) becomes dirty with fingerprints or dust, use a soft cloth to wipe the surface from the center directly toward the edge. Always clean discs before storing them. Leaving a disc in an unclean state might degrade its sound quality.



- Never use record cleaners, antistatic treatments, thinners or similar chemicals to clean discs. Such chemicals could harm the surface of the disc.
- Do not leave discs in places that are exposed to direct sunlight or that are very humid or hot.
- When writing something on the label side of a disc, use a felt-tip permanent marker. The use of a ballpoint pen or other pen with a hard tip could damage the disc, making it unplayable.
- After you finish playing a disc, always put it back into its case for storage. Failure to do so could result in warping or scratches.
- Do not apply labels or other materials to discs. Do not use a disc that has sticky residue left on its surface after removing tape or a sticker, for example. If such a disc is loaded, it might become stuck in the unit or damage the unit.
- Never use commercially-available CD stabilizers. Doing so could make the disc unplayable or damage the unit.
- Do not use cracked discs because they could damage the unit.

- Never use discs with irregular shapes, including heart-shaped and octagonal discs, because they could damage the unit.



- Do not use printable discs, which allow printing on the label side. Since the surface of such a disc has been specially treated, if loaded, it might become stuck in the unit or damage the unit.

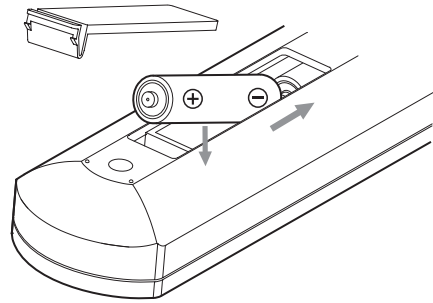
If you have any questions about how to handle a CD-R or CD-RW disc, contact the manufacturer of the disc directly.

Precautions when using the remote control

- When using the remote control, point it toward the remote control signal receiver on the main unit from a distance of 7 m (23 ft) or less. Do not place obstructions between the main unit and the remote control.
- The remote control might not work if the remote control signal receiver is exposed to direct sunlight or bright light.
- Beware that use of this remote control could cause the unintentional operation of other devices that can be controlled by infrared rays.

Installing batteries

Remove the cover from the back of the remote control and insert two AAA batteries with their \oplus/\ominus oriented as shown in the case. Replace the cover.



When to replace batteries

If the distance required between the remote and the main unit decreases or if the unit stops responding to the remote buttons, replace both batteries with new ones.

Dispose of the used batteries according to the instructions on them or requirements set by your local municipality.



Precautions concerning batteries

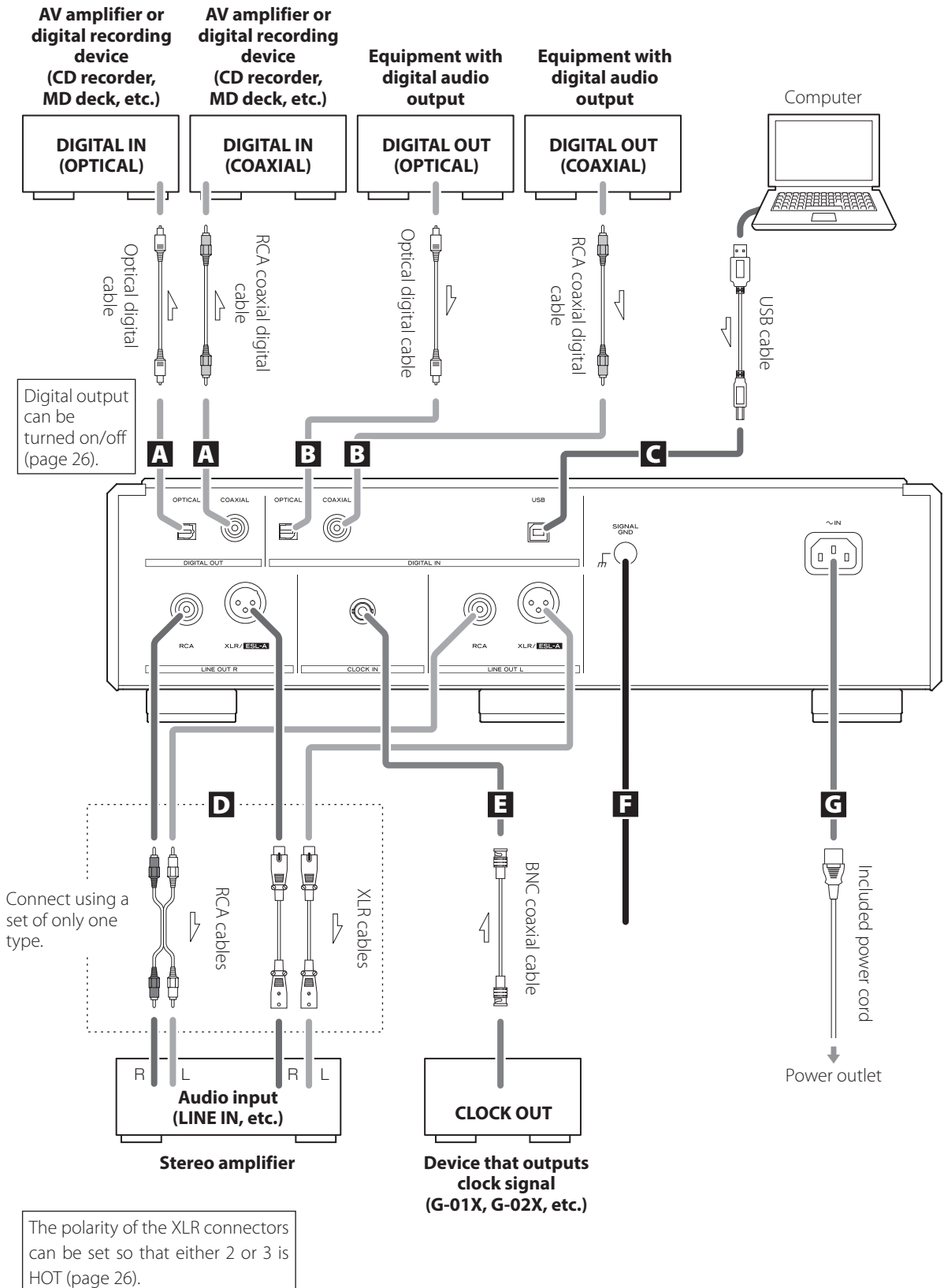
Misuse of batteries could cause them to rupture or leak, which might result in fire, injury or the staining of nearby materials.

Please read and observe the precautions on page 4 carefully.

Making connections

⚠ Precautions when making connections

- After completing all other connections, plug the power plug into a power outlet.
- Read the owner's manuals of all devices that will be connected, and follow their instructions.



A Digital audio output (DIGITAL OUT) connectors

These output digital audio signals from CDs played on this unit and signals input through this unit's digital audio input (DIGITAL IN) connectors.

Connect the digital audio output (DIGITAL OUT) connectors on this unit to the digital audio input connectors of other digital devices, such as a DA converter, AV amplifier or recorder.

Use commercially-available cables for connections.

COAXIAL: RCA coaxial digital cable

OPTICAL: optical digital cable (TOS)

- These connectors cannot output Super Audio CD digital audio.
- Digital output can be set to OFF or ON (page 26).

B Digital audio input (DIGITAL IN) connectors

Use to input digital audio signals. They can be connected to the digital output connectors of appropriate audio devices.

They can receive up to 24-bit signals with sampling frequencies of 32 kHz – 192 kHz.

Use commercially-available cables for connections.

COAXIAL: RCA coaxial digital cable

OPTICAL: optical digital cable (TOS)

C USB port

Use to input digital audio from a computer. Connect it to a computer's USB port.

Use a commercially available USB cable for connection.

- Before connecting, read pages 22 to 23.

D Analog audio output (LINE OUT) connectors

These output 2-channel analog audio. Connect the XLR or RCA connectors to an amplifier.

Use commercially-available cables for connections.

XLR: XLR cables

RCA: RCA cables

Connect this unit's R connector to the R connector of the amplifier, and its L connector to the L connector of the amplifier.

- Set the analog output to ESLA, XLR2, XLR3, RCA or OFF (page 26).
- When connecting this unit with an amplifier that has ES-LINK Analog (ESL-A) connectors, we recommend connecting the XLR connectors on this unit to the ES-LINK Analog (ESL-A) connectors on the amplifier (page 12).

E CLOCK IN connector

Use to input clock synchronization signals.

When using a master clock generator, connect its clock output connector to this unit's CLOCK IN connector.

Use a commercially available BNC coaxial cable for connection.

- BNC coaxial cables with 50Ω or 75Ω impedance can be used.

F SIGNAL GND grounding terminal


The audio quality might be improved by connecting this grounding terminal to an amplifier or other device that is connected to this unit.

- This is not an electrical safety ground.

G AC power inlet (~IN)

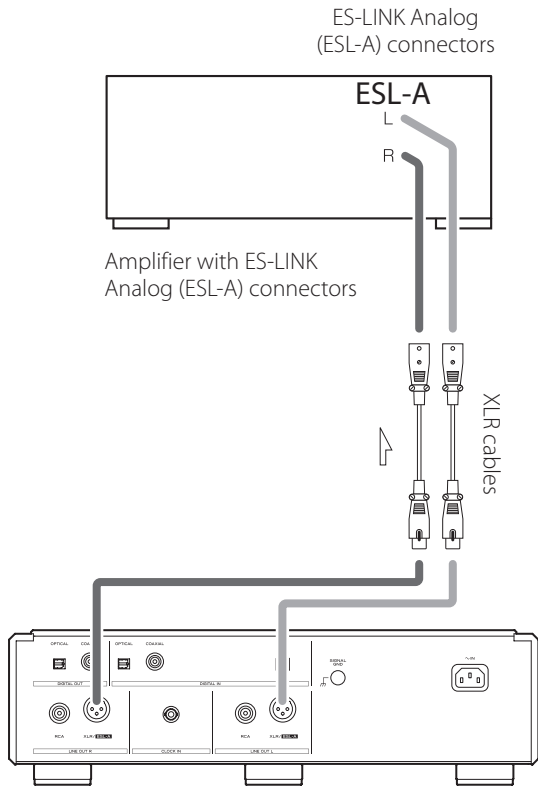
Connect the included power cord to this socket.

After completing all other connections, plug the power plug into a power outlet.

 **Use only a genuine ESOTERIC power cord. Use of other power cords could result in fire or electric shock.**

 **Disconnect the power plug from the outlet if you will not use the unit for a long time.**

Connecting using ES-LINK Analog



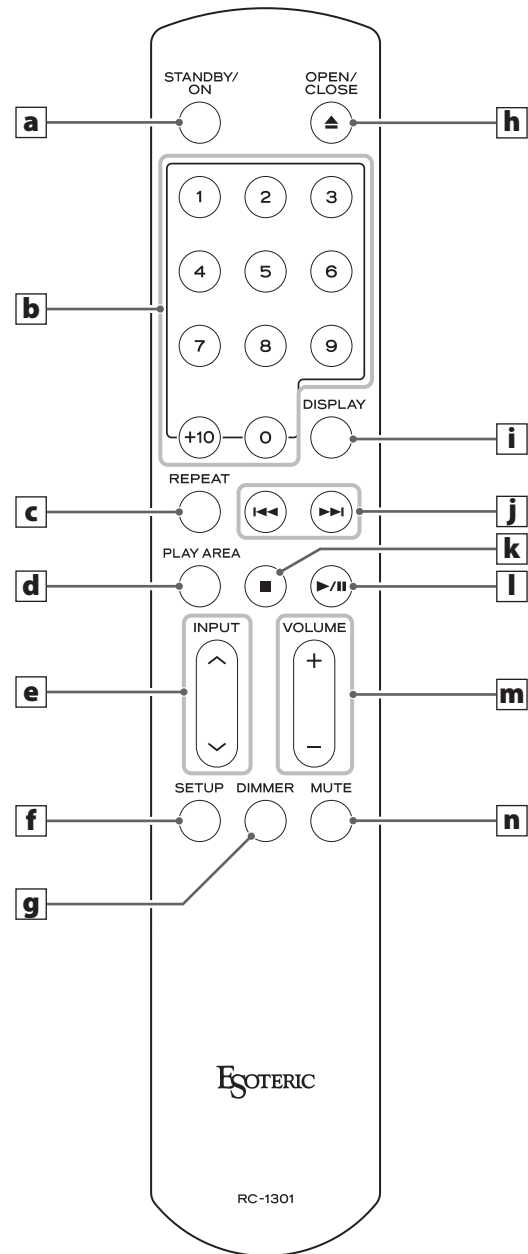
Use XLR cables to connect the analog audio output (XLR/ESL-A) connectors on this unit to an amplifier that has ES-LINK Analog (ESL-A) connectors.

- Set this unit's analog output (AOUT) to ESLA.
- You can also connect using XLR or RCA connectors. Select the connection type that provides the audio quality you prefer.

ES-LINK Analog overview

Using a current transmission method that utilizes the high-performance of an HCLD buffer circuit, which boasts the ability to supply strong current at high speed, the effects of impedance on the signal path are suppressed and transmitting signals purely and powerfully is possible.

- Ordinary balanced cables (with XLR connectors) are used for connection. These connectors can only be used with compatible devices, however, because the transmission format is unique.



If both the main unit and the remote control have buttons with the same function, we only explain procedures using one of them in this manual. However, the other can also be used in the same manner.

a STANDBY/ON button

This button is not used with this unit.

b Number buttons

Use to select tracks (page 19).

c REPEAT button

Use for repeat playback (page 19).
Press and hold to enter program mode (page 20).

d PLAY AREA button

When stopped, press to change the playback area of a Super Audio CD (page 17).

e INPUT buttons (^/∨)

These buttons are not used with this unit. They can be used to switch the inputs of ESOTERIC amplifiers.

f SETUP button

This button is not used with this unit. It can be used with other ESOTERIC products, including amplifiers.

g DIMMER button

You can adjust the brightness of the main unit's display (page 27).

h Tray OPEN/CLOSE (▲) button

Press to open and close the disc tray (page 16).

i DISPLAY button

During playback or when paused, press this button to change what is shown on the display (page 18).

j Skip (◀◀/▶▶) buttons

Press to skip to the previous or next track.
Press and hold for at least one second during playback to search backward/forward. Repeatedly press and hold for more than one second to change the backward/forward search speed to one of three levels (page 18).
Use to change parameters when in setting mode (page 24).

k Stop (■) button

Press to stop playback (page 17).

l Play/pause (▶/⏸) button

Press when stopped or paused to start playback (page 17).
Press during playback to pause (page 17).

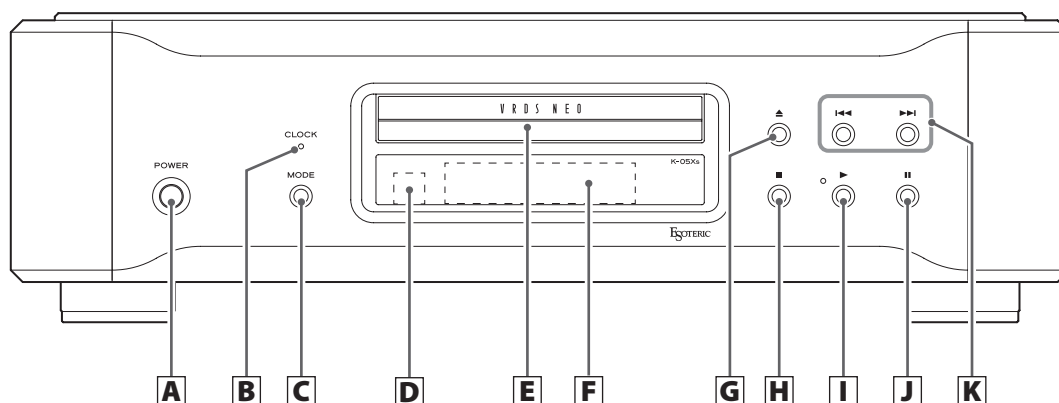
m VOLUME buttons (+/-)

These buttons are not used with this unit. They can be used with other ESOTERIC products, including amplifiers.

n MUTE button

This button is not used with this unit. It can be used to mute ESOTERIC amplifiers.

Main unit parts and functions



● This illustration is of the K-05Xs.

A POWER button

Press to turn the unit on and off.
When the unit is on, the ring around the button lights blue.
When the unit is off, it is unlit.

When not using the unit, turn it off.

B CLOCK indicator

This shows the clock synchronization status.
This indicator blinks during clock synchronization, and it lights when the unit is locked to the signal.

C MODE button

When stopped, press this button to change the input source.
When set to external input, the unit can be used as a D/A converter (page 21).
Press and hold for two or more seconds to change to setting mode (page 24).

D Remote control signal receiver

This receives signals from the remote control. When using the remote control, point the end of it toward this receiver panel (page 9).

E Disc tray

Load a disc for playback here (page 16).

F Display

This shows the playback time, the number of tracks and other information (page 18).

G Tray open/close (▲) button

Press to open and close the disc tray.

H Stop (■) button

Press to stop playback (page 17).
When stopped, press and hold for at least two seconds to change the playback area of a Super Audio CD (page 17).
Press when in setting mode to complete changing settings and show the ordinary display (page 24).

I Play (▶) button

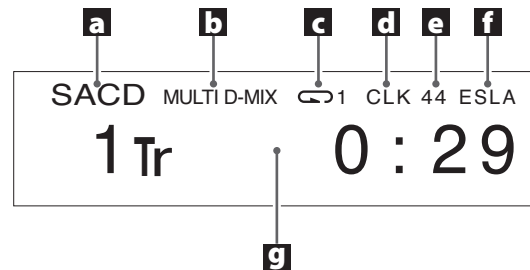
Press to start disc playback (page 16).
During playback, the indicator near this button lights.

J Pause (⏸) button

Press to pause playback (page 17).
When paused, the indicator near the play button blinks.

K Skip (◀◀/▶▶) buttons

Use to skip to the previous or next track.
Press and hold for at least one second during playback to search backward/forward. Repeatedly press and hold for more than one second to change the backward/forward search speed to one of three levels (page 18).
Use to change parameters when in setting mode (page 24).



a Disc type

This shows the type of disc that is currently loaded.

- SACD: Super Audio CD
- CD: Audio CD

b Information

During Super Audio CD playback

No indicator:

The two-channel area of a Super Audio CD is selected.

MULTI D-MIX:

This appears when the multichannel audio of a Super Audio CD is being downmixed and output.

DSD DIRECT:

This appears when the two-channel area of a Super Audio CD is selected and the DSDF (DSD filter) setting is OFF.

During CD playback and COAX, OPT or USB input

No indicator:

The upconversion function is not in use.

DSD DIRECT:

If DSDF (DSD filter) is set to OFF, this appears when a DSD signal is input.

UPCONV:

The upconverter circuit will upconvert the signal before digital to analog conversion.

- The upconversion multiple is shown to the right of UPCONV (page 25).

UPCONV DSD:

The upconverter circuit will convert the PCM signal to a DSD signal before digital to analog conversion.

c Repeat indicator

This appears during repeat playback (page 19).

d Clock mode

This shows the clock mode (page 25).

- No indicator: CLK set to OFF
- CLK: CLK set to SYNC
- MCK: CLK set to MCK

e Input clock frequency

The clock synchronization signal frequency input through the CLOCK IN connector is abbreviated when shown.

For example, a 44.1kHz frequency is shown as "44".

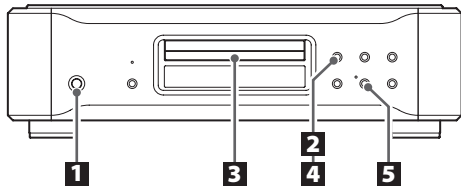
f Analog output setting

This shows the analog output (AOUT) setting (ESLA, XLR2, XLR3 or RCA).

Nothing appears when set to OFF.

g Message display area

The playback time and various messages appear here.



1 Press the POWER button to turn the unit on.

POWER



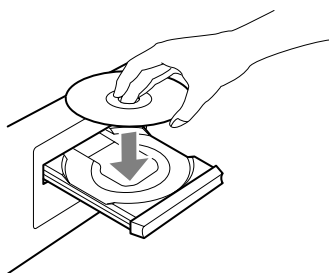
The ring around the POWER button lights blue.

2 Press the tray open/close (▲) button.



The disc tray comes forward.

3 Place a disc centered on the tray with the labeled side up.



- If the tray is closed while a disc is outside the center guides, the disc might become stuck inside and the tray might not open. Be sure to always place discs within the guides at the center of the tray.

4 Press the tray open/close (▲) button.



The disc tray closes. Be careful not to let your fingers be pinched when the tray closes.

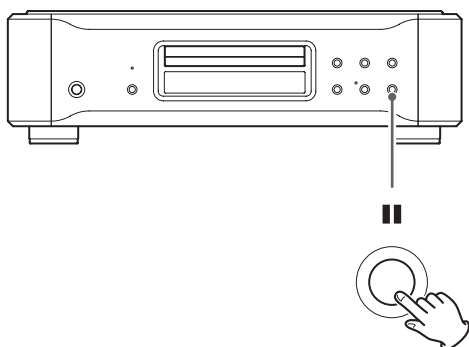
- The unit takes some time to load the disc.
When the disc is loaded, the type of disc, the number of tracks it contains and the total time of those tracks will appear on the display (page 18).

5 Press the play (▶) button.



Playback starts.
During playback, the indicator near this button lights blue.

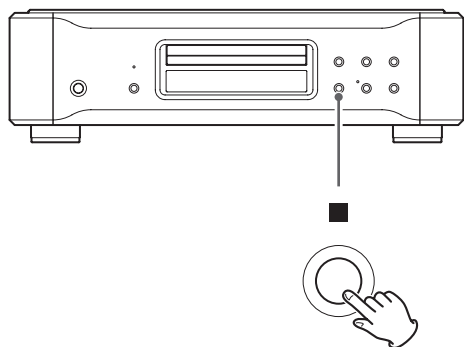
Pausing playback



During playback, press the pause (■) button to pause playback. When paused, the playback indicator on the main unit blinks.

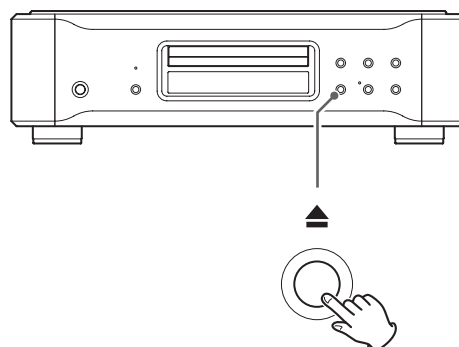
Press the play (▶) or pause (■) button to restart playback.

Stopping playback



Press the stop (■) button to stop playback.

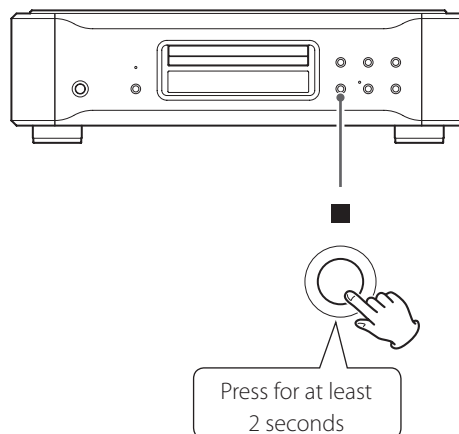
Opening and closing the disc tray



Press the tray open/close (▲) button once to open the tray, and press it again to close the tray.

- If you press the tray open/close (▲) button during disc playback, several seconds will pass before the tray opens.

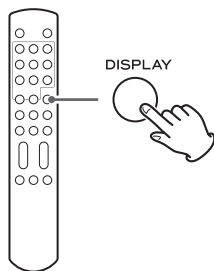
Changing the playback area



Some Super Audio CDs have multiple areas, including stereo (2-channel) and multichannel. Hybrid Super Audio CDs have two layers with one containing ordinary CD-quality audio.

When stopped, press the stop (■) button for at least two seconds to change the playback area.

- To change the playback area using the remote control, press the PLAY AREA button when the unit is stopped.
- When a Super Audio CD multichannel area is selected, multichannel audio will be downmixed to stereo and played back.



During disc playback and when paused, each time the DISPLAY button is pressed, the information shown on the display changes as follows.

Examples:



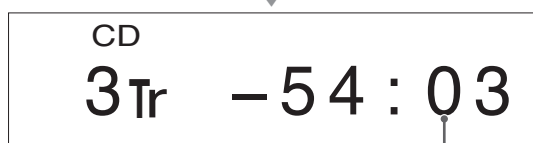
Currently playing track Elapsed time of currently playing track



Remaining time of currently playing track



Disc elapsed time



Disc remaining time

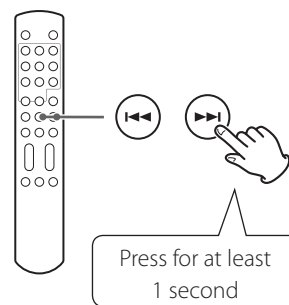
- When stopped, the total number of tracks and total playback time of the disc are shown.

Examples:



Total number of tracks Total disc playback time

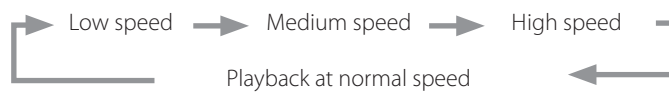
Searching backward/forward



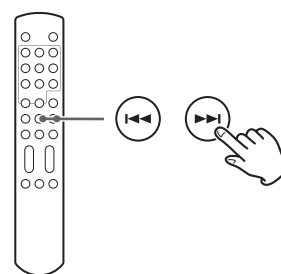
During playback, press and hold a skip (**I◀◀/▶▶I**) button on the main unit or the remote control (for at least one second) until searching backward/forward starts. When you find the point where you want to listen, press the play (**▶**) button on the main unit or the play/pause (**▶/||**) button on the remote control.

You can change the backward/forward search speed by repeatedly pressing and holding the skip (**I◀◀/▶▶I**) button (for at least one second each time).

The speed that the < or > blinks on the display also changes.



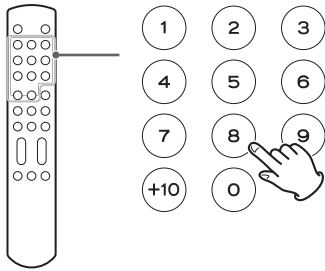
Skipping tracks



During playback, press a skip (**I◀◀/▶▶I**) button on the main unit or the remote control to skip to the previous or next track and start playback.

- Press the **I◀◀** button once to return to the beginning of the current track. Press the **I◀◀** button repeatedly to return to an earlier track. If the playback position is less than one second from the beginning of the current track, however, pressing the **I◀◀** button will skip to the beginning of the previous track.
- When stopped or paused, use the **I◀◀/▶▶I** buttons to select a track and pause at its beginning.

Using the number buttons to select a track for playback



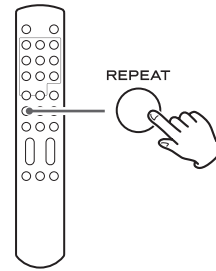
When playing or stopped, you can press number buttons to select a track and start playing it back.

To play a track with a single-digit number, press that number button. To play a double-digit track number, press the +10 button as many times as necessary, and then press the corresponding number button for the second digit. After the track number is input, playback starts.

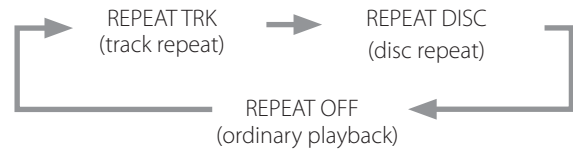
Examples:

Track 7:

Track 23:



During playback, press the REPEAT button to cycle through the following repeat modes.



REPEAT TRK

The current track is played back repeatedly. During repeat playback, select a different track to repeat playback of that track.

REPEAT DISC

All tracks on the current disc are played back repeatedly.

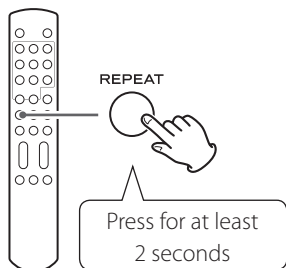
- Stopping playback ends repeat playback mode.

Program playback

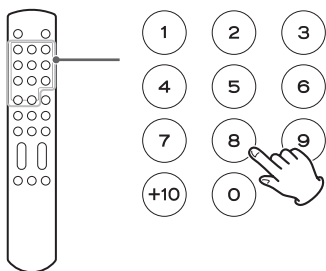
You can program up to 30 tracks in the order that you want to listen to them.

1 When stopped or during playback, press the REPEAT button for at least two seconds.

If you press this button during playback, the currently playing track will be added to the program as the first track.



2 Use number buttons to select tracks you want to program.

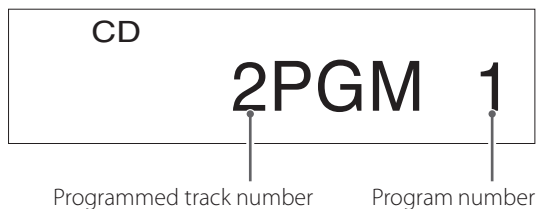


Examples:

Track 3: (3)

Track 12: (+10) ⇒ (2)

Track 20: (+10) ⇒ (+10) ⇒ (0)



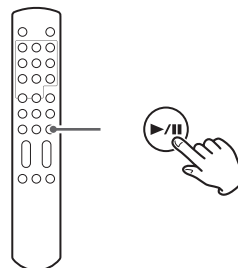
To program multiple tracks, continue pressing the number buttons.

- Track numbers that do not exist on the currently loaded disc cannot be added to the program.

3 When you are done adding tracks to the program, press the play/pause (▶/||) button.

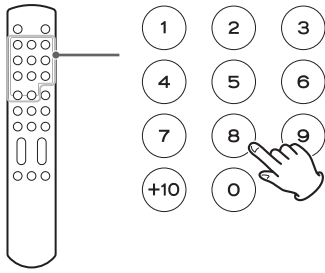
Program playback starts.

- If you created the program during playback, you do not need to press the play/pause (▶/||) button.



Adding tracks to the end of the program

When stopped or during playback, use the number buttons to select the track you want to add.



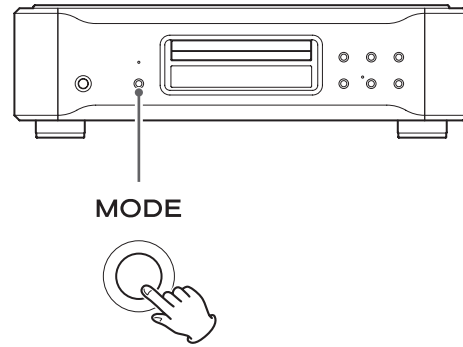
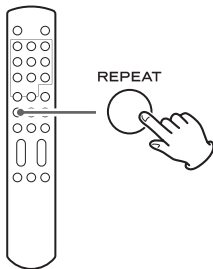
Clearing the entire program and resuming ordinary playback

When stopped or during playback, press the REPEAT button for at least two seconds to end program mode.

Press the REPEAT button during program playback for at least two seconds to resume ordinary playback from that point.

- When ordinary playback is resumed, the contents of the program will be cleared.

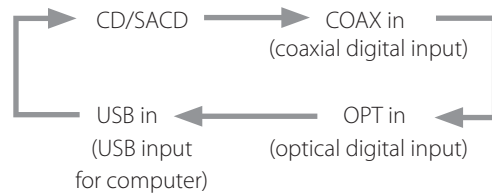
In addition, when stopped or during playback, if you press the tray OPEN/CLOSE (▲) or main unit POWER button, the program contents will also be cleared.



This unit can be used as a D/A converter when its input source is set to an external digital input (COAX in, OPT in or USB in).

Changing the input source

When stopped, press the MODE button repeatedly to cycle through the following input sources.



- When an external digital input (COAX in, OPT in, USB in) is selected, the name and sampling frequency of the selected input appear on the display. If there is no input signal or the unit is not locked to the input signal, the input sampling frequency is not shown and the input name blinks.
- If the input signal is not a digital audio signal or uses an audio signal format that is not supported by this unit (such as Dolby Digital, DTS or AAC) "--" appears in place of the sampling frequency. Set the digital output of the connected equipment to PCM audio output.
- When an external input (COAX in, OPT in, USB in) is selected, disc controls other than the tray open/close (▲) button do not function.

Connecting with a computer and playing back audio files

Installing the driver

This unit can be connected by USB and used with a computer running one of the following operating systems.

Operation with other operating systems cannot be assured (as of June, 2018).

When using Mac

The driver works with the following versions.

OS X Lion (10.7)

OS X Mountain Lion (10.8)

OS X Mavericks (10.9)

OS X Yosemite (10.10)

OS X El Capitan (10.11)

macOS Sierra (10.12)

macOS High Sierra (10.13)

- This unit can be operated with the standard OS driver, so there is no need to install a driver.

A dedicated driver must be installed on the computer, however, to use Bulk Pet.

When using Windows

The driver works with the following versions.

Windows 7 (32/64-bit)

Windows 8 (32/64-bit)

Windows 8.1 (32/64-bit)

Windows 10 (32/64-bit)

Installing the driver on a computer

Before you can use this unit to play files on a computer, you must first download the dedicated driver from the following ESOTERIC download page and install it on your computer.

Driver software download page

http://www.esoteric.jp/products/esoteric/usb/usb_driver_e.html

Install the dedicated driver software after downloading it from the above page.

IMPORTANT NOTICE

You must install the dedicated driver software before connecting this unit with a computer using a USB cable.

If you connect the unit to the computer by USB before installing the driver, it will not function properly.

For detailed instructions about installing the driver, please see our download page.

Depending on the composition of the computer hardware and software, operation might not be possible even with the above operating systems.

Note about transmission modes

This unit connects using Isochronous or Bulk Pet mode.

The sampling frequencies that can be transmitted are 44.1 kHz, 48 kHz, 88.2 kHz, 96 kHz, 176.4 kHz, 192 kHz, 352.8 kHz, 384 kHz, 705.6 kHz and 768 kHz. 2.8MHz, 5.6MHz, 11.2MHz and 22.5MHz DSD are also supported.

- 22.5MHz DSD is only supported with DSD Native playback. It is not supported with DoP (DSD Audio over PCM Frames) playback.

When connected correctly, you will be able to select "ESOTERIC USB AUDIO DEVICE" as the audio output for the operating system.

During data transfer, the audio data sent from the computer will be processed using this unit's clock, enabling the amount of jitter that occurs during data transmission to be reduced.

Downloading playback application ESOTERIC HR Audio Player

You can use ESOTERIC HR Audio Player to play audio files on a computer. Please download this free application from the following URL.

http://www.esoteric.jp/products/esoteric/hr_audio/indexe.html

ESOTERIC HR Audio Player is a software audio player for Windows and Mac that supports high-quality playback of high-resolution audio sources. You can use it to enjoy the high-quality playback of high-resolution audio sources, including DSD, without needing to make complicated settings.

ESOTERIC HR Audio Player setting note

To play 22.5MHz DSD recordings with ESOTERIC HR Audio Player, open the Configure window and set the "Decode mode" to "DSD Native."

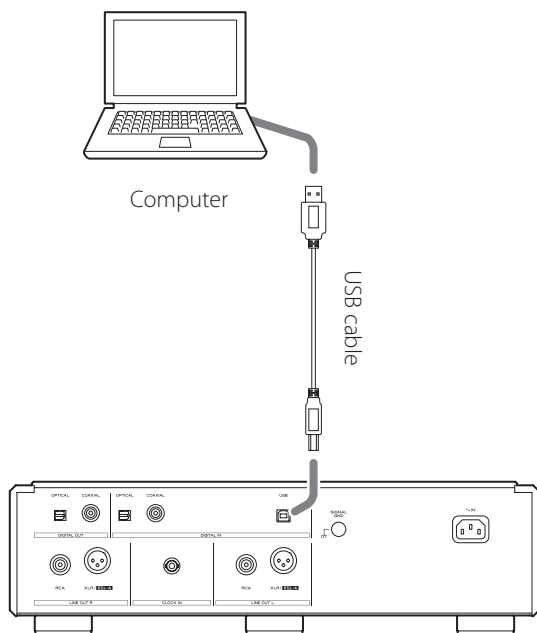
To play formats other than 22.5MHz DSD, you can set this to either "DSD over PCM" or "DSD Native" as you like.

For details, see "Selecting DSD decoding mode" in the ESOTERIC HR Audio Player Owner's Manual.

Playing audio files

1 Connect this unit to the computer using a USB cable.

Use a cable with a connector that matches that of this unit.



2 Turn the computer on.

Confirm that the operating system has started properly.

3 Press the POWER button to turn the unit on.

POWER



4 Press the MODE button repeatedly to select "USB in" (page 21).

MODE

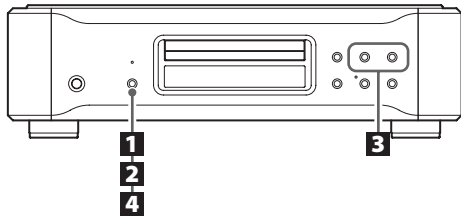


5 Start playback of an audio file on the computer.

For better audio quality, set the computer volume to its maximum and adjust the volume of the amplifier connected to this unit. Set the amplifier volume to the minimum when you start playback and gradually increase it.

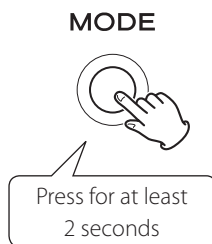
- The computer cannot be used to control this unit, nor can this unit be used to control the computer.
- This unit cannot transmit audio files to the computer by USB.
- Do not do any of the following when playing back audio files over the USB connection. Doing so could cause the computer to malfunction. Always quit the audio playback software before conducting any of these operations.
 - Unplug the USB cable
 - Turn this unit off
 - Change the input
- Computer operation sounds will also be transmitted when playing back audio files over the USB connection. To avoid outputting these sounds, make the necessary settings on your computer.
- If you start the audio playback software before connecting this unit with the computer or before setting the input to "USB in", audio files might not play back properly. If this occurs, restart the audio playback software or restart the computer.

Setting mode



Changing settings

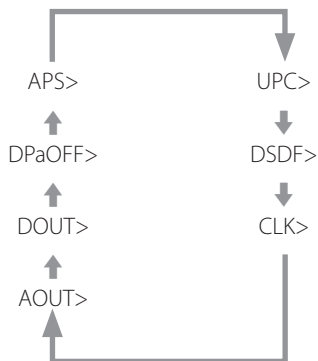
- 1** When stopped or during playback, press and hold the MODE button for two or more seconds.



- 2** Press the MODE button repeatedly to select the desired setting item.



Each time you press the MODE button, the item shown on the display changes as follows.



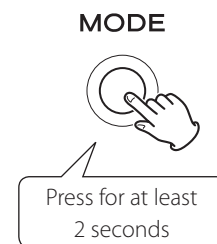
- Depending on the selected source and operation status, some items might not appear.
- If you do nothing for ten or more seconds, setting mode will end and ordinary display will resume.
- When the menu is open, if you press and hold the MODE button for at least two seconds, or you press the stop (■) button once, setting mode will end and the ordinary display will reappear.

- 3** Use the main unit or remote control skip (◀◀ / ▶▶) buttons to change settings.



To change multiple items, repeat steps **2** and **3**.

- 4** Press and hold the MODE button for two or more seconds to end setting mode.



Setting mode will also end and the ordinary display will reappear if nothing is done for ten seconds or the stop (■) button is pressed once.

- Settings are retained even if the power plug is disconnected.

Upconversion setting

UPC>***

- This setting can be made for each input.
- During Super Audio CD playback, the DSD signal is sent as is to the D/A converter without being upconverted.

ORG (original)

The input signal is sent as is to the D/A converter without being upconverted.

2Fs

32kHz, 44.1kHz and 48kHz sources are upconverted to double values of 64 kHz, 88.2 kHz and 96 kHz, respectively, and then sent to the D/A converter.

4Fs

32kHz, 44.1kHz, 48kHz, 88.2kHz and 96kHz sources are upconverted to double or quadruple values of 128 kHz, 176.4 kHz or 192 kHz and then sent to the D/A converter.

8Fs

32kHz, 44.1kHz, 48kHz, 88.2kHz, 96kHz, 176.4kHz and 192kHz sources are upconverted to double, quadruple or octuple values of 256 kHz, 352.8 kHz or 384 kHz and then sent to the D/A converter.

16Fs

32kHz, 44.1kHz, 48kHz, 88.2kHz, 96kHz, 176.4kHz, 192kHz, 352.8kHz and 384kHz sources are upconverted 16, 8, 4 or 2 times to 512 kHz, 705.6 kHz or 768 kHz and then sent to the D/A converter.

DSD

The signal is converted to 22.5MHz DSD digital format, and then sent to the D/A converter.

Digital filter setting during DSD playback

DSDF>***

OFF

No digital filter is used.

ON

A digital filter is used.

Clock setting

CLK>***

OFF

Clock synchronization is not used.

SYNC

This unit's master clock is synchronized to the clock signal (44.1 kHz, 48 kHz, 88.2 kHz, 96 kHz, 176.4 kHz, 192 kHz or 10 MHz) input through the CLOCK IN connector and used for operation.

MCK

The 22.5792MHz/24.576MHz signal input through the CLOCK IN connector is used as the master clock.

Analog output setting

AOUT>***

ESLA

Analog audio signals are output as ES-LINK Analog (ESL-A) through the XLR connectors.

- These connections use ordinary XLR cables, but the signals are transmitted in a unique format, so it should only be used with compatible devices.
- See page 12 for more about ES-LINK Analog.

XLR2

Analog audio signals are output through the XLR connectors with pin 2 HOT.

XLR3

Analog audio signals are output through the XLR connectors with pin 3 HOT.

RCA

Analog audio signals are output through the RCA connectors.

OFF

Analog outputs are disabled and the D/A converter is turned off.

Digital output setting

DOUT>***

- The signal is output without upconversion.
- During Super Audio CD playback, this is automatically set to OFF.

OFF

Digital audio is not output.

ON

Digital audio is output.

- CD digital audio is output during disc playback.
- During COAX or OPT input, the input signal is output as is.
- During USB input, digital audio is output for playback of PCM files with resolutions up to 192 kHz.
DSD files and PCM files with resolutions higher than 192 kHz are not output digitally.

Automatic display darkening setting

DPaOFF>***

ON

If playback is stopped and no operation is conducted for ten minutes, the OEL display automatically turns off.

OFF

If playback is stopped and no operation is conducted for ten minutes, the display will not turn off, but it will dim to DIMMER 1 brightness to protect it from excessive wear.

- If the OEL display is left on with the same indication for a long time, brightness irregularities can occur. For this reason, we recommend that you set the automatic display darkening function to ON.

Automatic power saving setting

APS>***

- By default, the setting is 30m.

When the input source is CD/SACD, the unit will turn off automatically if the set amount of time passes without a disc being loaded or with the disc remaining stopped.

When the input source is COAX in, OPT in or USB in, the unit will turn off automatically if the set amount of time passes without being able to lock an input signal from the selected input source.

- The input sources that are not selected have no effect on automatic power saving.

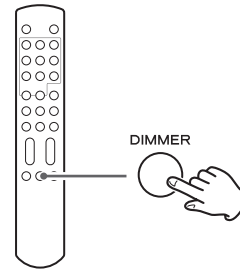
30m
30 minutes

60m
60 minutes

90m
90 minutes

120m
120 minutes

OFF
The automatic power saving function is disabled.



You can adjust the brightness of the main unit's display



- Even when the dimmer is set to off, the display will light at normal brightness for about three seconds when you press ► or another button.
- Even when set to DIMMER 1 or off, setting menus and error messages will be shown with normal brightness (DIMMER 2).

Troubleshooting

If you experience a problem with the unit, please take a moment to review the following information before requesting service. Moreover, the problem might be caused by something other than this unit. Please also check the operation of the connected units. If this product still does not operate correctly, contact the retailer where you purchased it.

General

The unit does not turn on.

- ➔ Insert the power plug into an outlet.
- ➔ Check the connection of the power cord to this unit.

The unit automatically turns off.

- ➔ This is because the automatic power saving function turned the unit off.
Press the POWER button on the main unit to turn it on.
Change the automatic power saving setting if necessary (page 27).

Remote control does not work.

- ➔ Turn the main unit on (page 16).
- ➔ If the batteries are exhausted, replace both of them with new ones (page 9).
- ➔ The remote control will not work if there are obstructions between it and the main unit. Point the remote control at the front panel of the unit from a distance of less than about 7 m (23 ft) (page 9).

A television or other device is operating improperly.

- ➔ The use of this unit's remote control might cause some televisions with wireless remote control functions to operate incorrectly.

Cannot play back a CD or Super Audio CD.

- ➔ Press the MODE button repeatedly to select "CD/SACD" (page 21).
- ➔ Load the disc correctly. If the disc is upside down, reload it with the labeled side up.
- ➔ If the disc is dirty, wipe it clean (page 8).
- ➔ If condensation has occurred inside this unit, turn it on and leave it for 1–2 hours (page 29).

The unit does not respond when buttons are pressed.

- ➔ Multiple button presses without pause can cause the unit to stop responding. After pressing a button, wait momentarily for the unit to respond.

There is noise.

- ➔ Place the unit as far away as possible from TVs and other devices that have strong magnetism.

No sound is output from the speakers. The sound is distorted.

- ➔ Check the connections with the amp and the speakers (page 10).
- ➔ Adjust the volume of the amplifier and other devices.
- ➔ If the disc is dirty, wipe it clean (page 8).
- ➔ Super Audio CD digital audio cannot be output from the digital audio output (DIGITAL OUT) connectors.
- ➔ No sound is output when playback is paused. Press the play (▶) button to resume ordinary playback.
- ➔ Check the analog output setting (page 26).

Digital recording is not possible on connected external equipment.

- ➔ You cannot record the digital audio signal as is from a disc that has such copy-protection.

Noticeable difference in volume between CDs and Super Audio CDs.

- ➔ You might notice volume differences between ordinary CDs and Super Audio CDs. This is the result of differences between their data recording methods, mastering and authoring.

Clock sync

The CLOCK indicator does not stop blinking.

- ➔ Set CLK> to OFF when not using clock sync.
- ➔ A clock signal to which the unit cannot synchronize might be being input. Check the connection of the CLOCK IN connector and the settings of the connected device.

A cyclical noise is being output.

- ➔ If a cyclical noise is being output when the unit is in clock sync mode, the connected device might not also be in clock sync mode. Check the connection of the CLOCK IN connector and the clock sync setting of the connected device.

USB connections with a computer

Computer does not recognize this unit.

- ➔ See page 22 for information about supported operating systems. Operation with unsupported operating systems is not guaranteed.

There is noise.

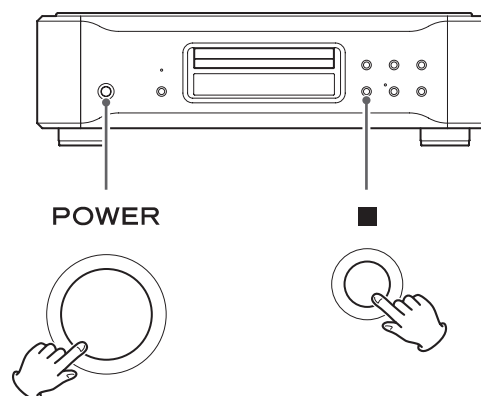
- ➔ Starting other applications during playback of an audio file may interrupt playback or cause noise. Do not start other applications during playback.
- ➔ When the unit is connected to a computer via a USB hub, for example, noise might be heard. If this occurs, connect the unit directly to the computer.

Audio files cannot be played back.

- ➔ Connect the computer with this unit and switch to "USB in" before starting the audio playback software and audio file playback. Audio data might not play back correctly if you connect this unit with the computer or change its input to "USB in" after starting the audio playback software.

Since this unit uses a microcontroller, external noise and other interference can cause the unit to malfunction. In such a case, turn the unit off and wait about one minute before restarting operation from the beginning.

Restoring factory settings



Settings are retained even if the power plug is disconnected.

Follow these procedures to restore the factory default settings and erase all changes in memory.

1 Turn the unit off.

If the unit is on, press the POWER button to turn it off and wait for more than 30 seconds.

2 Press the POWER button while holding down the stop (■) button on the main unit.

Release the stop (■) button when "Setup CLR" (setup clear) appears on the display.

Note about condensation

If this unit is brought from a cold outdoor environment into a warm room, or the heater has just been turned on in the room where it is located, for example, condensation might occur on operating parts or lenses, resulting in improper operation. If this occurs, leave the unit on and wait 1–2 hours. This should enable normal playback.

K-05Xs specifications

Playable disc types

Super Audio CD, CD (including CD-R and CD-RW)

Analog audio outputs

XLR/ESL-A connectors	1 pair (L/R)
RCA connectors	1 pair (L/R)
Output impedance	
XLR	40 Ω
RCA	15 Ω
Maximum output level (at 1 kHz, 10k Ω load)	
XLR	5 Vrms
RCA	2.5 Vrms

When Super Audio CD, XLR output

Frequency response	5 Hz to 55 kHz (–3 dB)
S/N ratio	119 dB (A-Weight)
Distortion	0.0013% (1 kHz)

Digital audio outputs

COAXIAL	1
OPTICAL	1

Digital audio inputs

COAXIAL	1
Input impedance	75 Ω
OPTICAL	1
USB port (USB 2.0 supported)	1 (Type B)

Clock input

BNC connector	1
Input impedance	50 Ω
Frequencies that can be input (± 15 ppm)	44.1 kHz, 48 kHz, 88.2 kHz, 96 kHz, 176.4 kHz, 192 kHz, 10 MHz, 22.5792 MHz, 24.576 MHz
Input level	
Rectangle wave	equivalent to TTL levels
Sine wave	0.5 to 1.0 Vrms

General

Power supply	
Model for Europe	AC 220–240 V, 50/60 Hz
Model for USA/Canada	AC 120 V, 60 Hz
Model for Korea	AC 220 V, 60 Hz
Power consumption	22 W
External dimensions (W \times H \times D, including protrusions)	445 \times 132 \times 357 mm (17 5/8" \times 5 1/4" \times 14 1/8")
Weight	15.1 kg (33 3/8 lb)
Operating temperature	+5°C to +35°C
Operating humidity range	5% to 85% (no condensation)
Storage temperature	–20°C to +55°C

Included accessories

Power cord	\times 1
Remote control (RC-1301)	\times 1
Batteries for remote control (AAA)	\times 2
Felt pads	\times 3
Owner's manual (this document)	\times 1
Warranty card	\times 1

- Specifications and appearance are subject to change without notice.
- Weight and dimensions are approximate.
- Illustrations in this Owner's Manual might differ slightly from production models.

Playable disc types

Super Audio CD, CD (including CD-R and CD-RW)

Analog audio outputs

XLR/ESL-A connectors	1 pair (L/R)
RCA connectors	1 pair (L/R)
Output impedance	
XLR	40 Ω
RCA	15 Ω
Maximum output level (at 1 kHz, 10k Ω load)	
XLR	5 Vrms
RCA	2.5 Vrms

When Super Audio CD, XLR output

Frequency response	5 Hz to 55 kHz (–3 dB)
S/N ratio	119 dB (A-Weight)
Distortion	0.0013% (1 kHz)

Digital audio outputs

COAXIAL	1
OPTICAL	1

Digital audio inputs

COAXIAL	1
Input impedance	75 Ω
OPTICAL	1
USB port (USB 2.0 supported)	1 (Type B)

Clock input

BNC connector	1
Input impedance	50 Ω
Frequencies that can be input (± 10 ppm)	
	44.1 kHz, 48 kHz, 88.2 kHz, 96 kHz, 176.4 kHz, 192 kHz, 10 MHz, 22.5792 MHz, 24.576 MHz
Input level	
Rectangle wave	equivalent to TTL levels
Sine wave	0.5 to 1.0 Vrms

General

Power supply	
Model for Europe	AC 220–240 V, 50/60 Hz
Model for USA/Canada	AC 120 V, 60 Hz
Model for Korea	AC 220 V, 60 Hz
Power consumption	26 W
External dimensions (W \times H \times D, including protrusions)	
	445 \times 131 \times 357 mm (17 5/8" \times 5 1/4" \times 14 1/8")
Weight	14.2 kg (31 3/8 lb)
Operating temperature	+5°C to +35°C
Operating humidity range	5% to 85% (no condensation)
Storage temperature	–20°C to +55°C

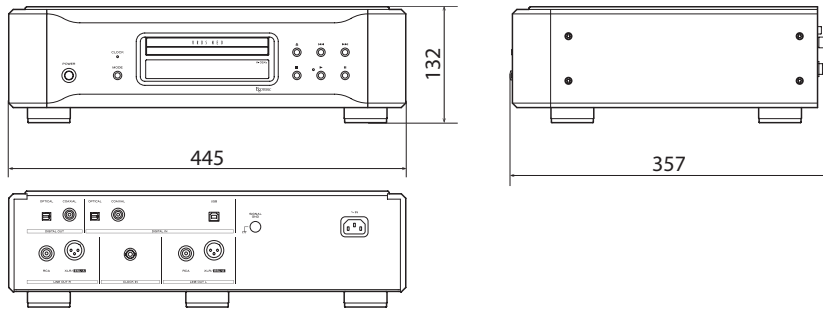
Included accessories

Power cord	\times 1
Remote control (RC-1301)	\times 1
Batteries for remote control (AAA)	\times 2
Felt pads	\times 3
Owner's manual (this document)	\times 1
Warranty card	\times 1

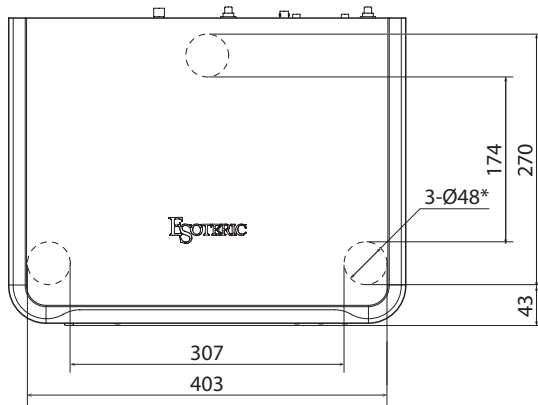
- Specifications and appearance are subject to change without notice.
- Weight and dimensions are approximate.
- Illustrations in this Owner's Manual might differ slightly from production models.

Dimensional drawings

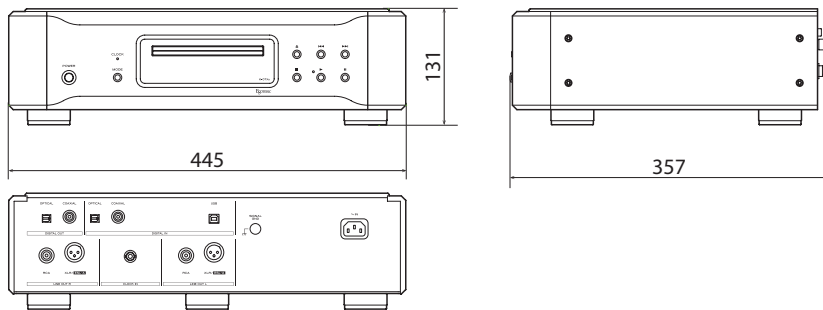
K-05Xs



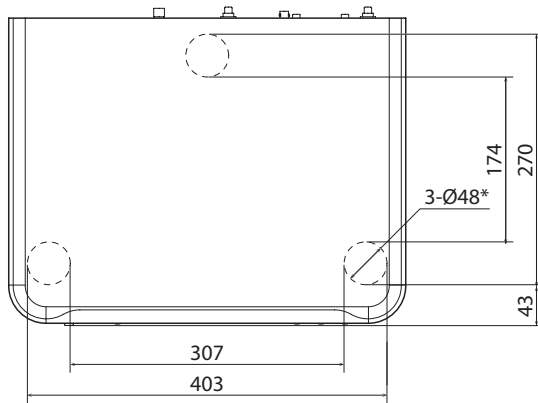
Foot placement diagram



K-07Xs



Foot placement diagram




*48mm diameter feet × 3

Dimensions in millimeters (mm)

INSTRUCTIONS DE SÉCURITÉ IMPORTANTES



CAUTION
RISK OF ELECTRIC SHOCK
DO NOT OPEN



ATTENTION : POUR RÉDUIRE LE RISQUE D'ÉLECTROCUTION, NE RETIREZ PAS LE CAPOT (OU L'ARRIÈRE). AUCUNE PIÈCE INTERNE N'EST RÉPARABLE PAR L'UTILISATEUR. CONFIEZ TOUTE RÉPARATION À UN SERVICE APRÈS-VENTE QUALIFIÉ.



Le symbole d'éclair à tête de flèche dans un triangle équilatéral sert à prévenir l'utilisateur de la présence dans l'enceinte du produit d'une « tension dangereuse » non isolée d'une grandeur suffisante pour constituer un risque d'électrocution pour les personnes.



Le point d'exclamation dans un triangle équilatéral sert à prévenir l'utilisateur de la présence d'instructions importantes de fonctionnement et de maintenance (entretien) dans les documents accompagnant l'appareil.

AVERTISSEMENT : POUR PRÉVENIR LES RISQUES D'INCENDIE ET D'ÉLECTROCUTION, N'EXPOSEZ PAS CET APPAREIL À LA PLUIE NI À L'HUMIDITÉ.

ATTENTION

- NE RETIREZ PAS LES CAPOTS EXTERNES OU BOÎTIERS POUR EXPOSER L'ÉLECTRONIQUE. AUCUNE PIÈCE INTERNE N'EST RÉPARABLE PAR L'UTILISATEUR.
- SI VOUS RENCONTREZ DES PROBLÈMES AVEC CE PRODUIT, CONTACTEZ LE MAGASIN OÙ VOUS AVEZ ACHETÉ L'UNITÉ. N'UTILISEZ PAS LE PRODUIT TANT QU'IL N'A PAS ÉTÉ RÉPARÉ.
- L'UTILISATION DE COMMANDES, DE RÉGLAGES OU LE SUIVI DE PROCÉDURES AUTRES QUE CE QUI EST DÉCRIT DANS CE DOCUMENT PEUT PROVOQUER UNE EXPOSITION À UN RAYONNEMENT DANGEREUX.

- 1) Lisez ces instructions.
- 2) Conservez ces instructions.
- 3) Tenez compte de tous les avertissements.
- 4) Suivez toutes les instructions.
- 5) N'utilisez pas cet appareil avec de l'eau à proximité.
- 6) Ne nettoyez l'appareil qu'avec un chiffon sec.
- 7) Ne bloquez aucune ouverture de ventilation. Installez-le conformément aux instructions du fabricant.
- 8) N'installez pas l'appareil près de sources de chaleur telles que des radiateurs, bouches de chauffage, poêles ou autres appareils (y compris des amplificateurs) dégageant de la chaleur.
- 9) Ne neutralisez pas la fonction de sécurité de la fiche polarisée ou de terre. Une fiche polarisée a deux broches, l'une plus large que l'autre. Une fiche de terre a deux broches identiques et une troisième broche pour la mise à la terre. La broche plus large ou la troisième broche servent à votre sécurité. Si la fiche fournie n'entre pas dans votre prise, consultez un électricien pour le remplacement de la prise obsolète.

10) Évitez de marcher sur le cordon d'alimentation et de le pincer, en particulier au niveau des fiches, des prises secteur, et du point de sortie de l'appareil.

11) N'utilisez que des fixations/accessoires spécifiés par le fabricant.

12) Utilisez-le uniquement avec des chariots, socles, trépieds, supports ou tables spécifiés par le fabricant ou vendus avec l'appareil. Si un chariot est utilisé, faites attention à ne pas être blessé par un renversement lors du déplacement de l'ensemble chariot/appareil.



13) Débranchez cet appareil en cas d'orage ou de non utilisation prolongée.

14) Confiez toute réparation à des techniciens de maintenance qualifiés. Une réparation est nécessaire si l'appareil a été endommagé d'une quelconque façon, par exemple si le cordon ou la fiche d'alimentation est endommagé, si du liquide a été renversé sur l'appareil ou si des objets sont tombés dedans, si l'appareil a été exposé à la pluie ou à l'humidité, s'il ne fonctionne pas normalement, ou s'il est tombé.

- L'appareil tire un courant nominal de veille de la prise secteur quand son interrupteur POWER ou STANDBY/ON n'est pas en position ON.
- La fiche secteur est utilisée comme dispositif de déconnexion et doit donc toujours rester disponible.
- Des précautions doivent être prises en cas d'utilisation d'écouteurs ou d'un casque avec le produit car une pression sonore excessive (volume trop fort) dans les écouteurs ou dans le casque peut causer une perte auditive.

AVERTISSEMENT

Les produits ayant une construction de Classe **I** sont équipés d'un cordon d'alimentation avec une fiche de terre. Le cordon d'un tel produit doit être branché dans une prise secteur avec terre de sécurité.

AUX USA/CANADA, UTILISEZ UNIQUEMENT UNE TENSION D'ALIMENTATION DE 120 V.

ATTENTION

- N'exposez pas cet appareil aux gouttes ni aux éclaboussures.
- Ne placez pas d'objet rempli de liquide sur l'appareil, comme par exemple un vase.
- N'installez pas cet appareil dans un espace confiné comme une bibliothèque ou un meuble similaire.
- L'appareil doit être placé suffisamment près de la prise de courant pour que vous puissiez à tout moment attraper facilement la fiche du cordon d'alimentation.
- Si le produit utilise des piles/batteries (y compris un pack de batteries ou des piles installées), elles ne doivent pas être exposées au soleil, au feu ou à une chaleur excessive.
- PRÉCAUTION pour les produits qui utilisent des batteries remplaçables au lithium : remplacer une batterie par un modèle incorrect entraîne un risque d'explosion. Remplacez-les uniquement par un type identique ou équivalent.

Précautions concernant les piles

Un mauvais emploi des piles peut entraîner leur rupture ou leur fuite, avec pour conséquence un incendie, des blessures ou la salissure des objets proches. Veuillez lire et suivre attentivement les précautions suivantes.

- Veillez à insérer les piles avec leurs pôles positif (+) et négatif (-) correctement orientés.
- Utilisez des piles du même type. N'utilisez jamais des types de pile différents ensemble.
- Si la télécommande doit rester inutilisée durant une période prolongée (plus d'un mois), retirez ses piles pour éviter qu'elles ne coulent.
- Si les piles coulent, essuyez le liquide dans le compartiment des piles et remplacez les piles par des neuves.
- N'utilisez pas de piles d'un type autre que celui spécifié. Ne mélangez pas des piles neuves avec des anciennes et n'utilisez pas ensemble des types de pile différents.
- Ne chauffez pas et ne démontez pas les piles. Ne jetez jamais les piles dans un feu ou dans de l'eau.
- Ne conservez et ne transportez pas les piles avec d'autres objets métalliques. Les piles pourraient entrer en court-circuit, couler ou exploser.
- Ne rechargez jamais une batterie sans avoir vérifié qu'elle peut l'être.

Informations sur le laser

Ce produit contient un système laser à semi-conducteur dans son boîtier et est répertorié comme « PRODUIT LASER DE CLASSE 1 ». Pour éviter d'être exposé au faisceau laser, n'essayez pas d'ouvrir le boîtier.

Laser :

Type :	SLD6163RL-G
Fabricant :	SONY CORPORATION
Puissance laser :	moins de 1 mW sur la lentille de l'objectif
Longueur d'onde :	785 ±15 nm (CD) 655 ±10 nm (Super Audio CD)

Modèle pour le Canada

Déclaration de conformité d'Industrie Canada :
CET APPAREIL NUMÉRIQUE DE LA CLASSE B EST CONFORME À LA
NORME NMB-003 DU CANADA

Modèle pour l'Europe




Ce produit est conforme aux directives européennes et aux autres réglementations de la Commission européenne.

Pour les consommateurs européens

Mise au rebut des équipements électriques et électroniques et des piles et/ou accumulateurs

- a) Tout équipement électrique/électronique et pile/accumulateur hors d'usage doit être traité séparément de la collecte municipale d'ordures ménagères dans des points de collecte désignés par le gouvernement ou les autorités locales.
- b) En vous débarrassant correctement des équipements électriques/électroniques et piles/accumulateurs hors d'usage, vous contribuerez à la sauvegarde de précieuses ressources et à la prévention de potentiels effets négatifs sur la santé humaine et l'environnement.
- c) Le traitement incorrect des équipements électriques/électroniques et piles/accumulateurs hors d'usage peut avoir des effets graves sur l'environnement et la santé humaine en raison de la présence de substances dangereuses dans les équipements.
- d) Le symbole de déchets d'équipements électriques et électroniques (DEEE), qui représente une poubelle à roulettes barrée d'une croix, indique que les équipements électriques/électroniques et piles/accumulateurs doivent être collectés et traités séparément des déchets ménagers.



Si une pile ou un accumulateur contient plus que les valeurs de plomb (Pb), mercure (Hg) et/ou cadmium (Cd) spécifiées dans la directive sur les piles et accumulateurs (2006/66/CE), alors les symboles chimiques de ces éléments seront indiqués sous le symbole DEEE.
- e) Des systèmes de retour et de collecte sont disponibles pour l'utilisateur final. Pour des informations plus détaillées sur la mise au rebut des vieux équipements électriques/électroniques et piles/accumulateurs hors d'usage, veuillez contacter votre mairie, le service d'ordures ménagères ou le magasin dans lequel vous avez acquis l'équipement.

"DSD" is a registered trademark.

"Super Audio CD" is a registered trademark.

This product incorporates copy protection technology that is protected by U.S. patents and other intellectual property rights of Rovi Corporation. The use of Rovi Corporation's copy protection technology in the product must be authorized by Rovi Corporation. Reverse engineering and disassembly are prohibited.

Microsoft and Windows are either registered trademarks or trademarks of Microsoft Corporation in the United States and/or other countries.

Apple, Mac, OS X and macOS are trademarks of Apple Inc., registered in the U.S. and other countries.

Bulk Pet is a registered trademark of INTERFACE CO., LTD.

ESOTERIC is a trademark of TEAC CORPORATION, registered in the U.S. and other countries.

Les autres noms de société, noms de produit et logos présents dans ce document sont des marques commerciales ou déposées de leurs détenteurs respectifs.

ATTENTION

Cette unité ne produit ses signaux analogiques et numériques que par les prises analogiques et numériques actuellement sélectionnées.

Avant de l'utiliser, réglez la sortie analogique sur ESLA, XLR2, XLR3, RCA ou OFF (désactivée), et la sortie numérique sur OFF ou ON.

Voir « Mode de réglage » en page 54, « Réglage de sortie analogique » et « Réglage de sortie numérique » en page 56.

Nous vous remercions d'avoir choisi ce produit ESOTERIC. Lisez attentivement ce mode d'emploi pour tirer les meilleures performances de ce produit. Après l'avoir lu, gardez-le en lieu sûr avec la carte de garantie pour vous y référer ultérieurement.

INSTRUCTIONS DE SÉCURITÉ IMPORTANTES.....	33
Marques déposées et copyrights.....	35
Avant l'utilisation.....	37
Précautions d'emploi.....	37
Notes sur les disques.....	38
Notes à propos de la télécommande.....	39
Faire les branchements.....	40
Parties et fonctions de la télécommande.....	42
Parties et fonctions de l'unité principale.....	44
Parties et fonctions de l'écran.....	45
Lecture.....	46
Affichage.....	48
Sélection des pistes.....	48
Lecture en boucle (répétition).....	49
Lecture de programme.....	50
Mode convertisseur N/A.....	51
Branchement d'un ordinateur et lecture de fichiers audio.....	52
Mode de réglage.....	54
Paramètres de réglage et leurs options.....	55
Atténuateur (Dimmer).....	57
Guide de dépannage.....	58
Caractéristiques techniques du K-05Xs.....	60
Caractéristiques techniques du K-07Xs.....	61
Schémas avec cotes.....	62

Contenu de l'emballage


Vérifiez que vous disposez bien de tous les accessoires indiqués ci-dessous. Veuillez contacter le magasin dans lequel vous avez acheté cette unité si l'un de ces accessoires manque ou a été endommagé durant le transport.

Cordon d'alimentation × 1
Télécommande (RC-1301) × 1
Piles pour télécommande (AAA) × 2
Patins en feutre × 3
Mode d'emploi (ce document) × 1
Carte de garantie × 1

Entretien

Utilisez un chiffon sec et doux pour nettoyer la surface de l'unité. Pour les taches tenaces, utilisez un chiffon humide soigneusement essoré afin d'éliminer l'excès d'humidité.

- Ne vaporisez jamais du liquide directement sur cette unité.
- N'utilisez pas de lingettes de nettoyage imbibées de produit chimique, de diluant ou d'autres agents chimiques. Cela pourrait endommager la surface.
- Évitez un contact prolongé de l'unité avec des matériaux caoutchouteux ou plastiques car ceux-ci peuvent endommager le boîtier.

 **Pour votre sécurité, débranchez le cordon d'alimentation de la prise secteur avant tout nettoyage.**

- Ne placez rien sur l'unité.
- N'installez pas cette unité dans un lieu qui pourrait chauffer. Cela comprend les endroits exposés directement au soleil ou près d'un radiateur, d'un chauffage, d'une cuisinière ou d'autres appareils chauffants. En outre, ne la placez pas au-dessus d'un amplificateur ou autre équipement dégageant de la chaleur. Cela pourrait causer une décoloration ou une déformation.
- Afin de permettre une bonne dissipation de la chaleur, laissez au moins 20 cm entre cette unité et les murs et les autres équipements lors de l'installation. Si vous la placez dans un rack, prenez les précautions nécessaires pour éviter la surchauffe en laissant au moins 5 cm d'espace libre au-dessus de l'unité et au moins 10 cm derrière. Ne pas laisser ces espaces peut faire monter la température au risque d'entraîner un incendie.
- En cas d'installation dans un rack à porte vitrée, n'utilisez pas la touche OPEN/CLOSE (▲) de la télécommande pour ouvrir le tiroir de disque si la porte du rack est fermée. Si les mouvements du tiroir de disque sont contrariés, des dommages peuvent en résulter.
- Placez l'unité dans un endroit stable.
- Ne soulevez pas et ne déplacez pas l'unité durant la lecture car le disque tourne à vitesse élevée. Cela pourrait endommager le disque.
- Retirez toujours tout disque chargé avant de déplacer cette unité ou de l'emballer pour par exemple l'installer à un autre endroit. Transporter cette unité avec un disque à l'intérieur peut causer des dommages.
- Fournissez à l'unité une tension d'alimentation qui correspond à celle indiquée sur la face arrière. Si vous avez des doutes à ce sujet, consultez un électricien.
- N'ouvrez pas le boîtier de l'unité car cela peut endommager les circuits ou causer un choc électrique. Si un objet étranger pénètre dans l'unité, consultez votre revendeur.
- Quand vous débranchez la fiche d'alimentation d'une prise secteur, tirez toujours directement sur la fiche. Ne tirez jamais sur le cordon lui-même.

Précaution pour l'enregistrement avec un appareil connecté

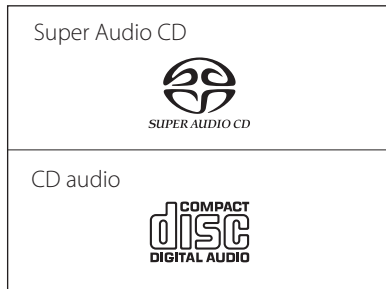
Certains disques comprennent des signaux empêchant la copie. Vous ne pouvez pas enregistrer tel quel le signal audio numérique d'un disque ainsi protégé contre la copie (vous pouvez enregistrer le signal audio fourni sous forme analogique).

Notes sur les disques

Les logos suivants apparaissent sur les disques et les boîtiers de disque. Cette unité peut lire des disques portant ces logos sans l'aide d'un adaptateur.

Cette unité ne peut pas lire les disques qui n'ont pas ces logos.

Types de disque lisibles par cette unité et leurs logos



Si vous essayez de lire tout autre type de disque avec cette unité, des bruits forts risquant d'endommager les enceintes et d'altérer votre audition peuvent être produits. N'essayez jamais de lire un type de disque autre que ceux indiqués ci-dessus.

- Cette unité ne peut pas lire de DVD vidéo, DVD audio, CD vidéo, DVD-ROM et CD-ROM, par exemple.
- Cette unité peut être dans l'incapacité de lire correctement les disques doubles (Dual), les CD à dispositif anti-copie ou autres CD spéciaux qui ne se conforment pas à la norme CD Red Book. Le fonctionnement et la qualité sonore ne peuvent pas être garantis si des disques spéciaux sont utilisés dans cette unité. Si la lecture d'un disque spécial cause des problèmes, contactez le vendeur du disque.

CD-R/CD-RW

Cette unité peut lire les CD-R/CD-RW qui sont au format CD audio.

- Veillez à finaliser les disques créés au moyen d'enregistreurs de CD.

Selon la qualité du disque et les conditions de son enregistrement, la lecture peut ne pas être possible. Pour des détails, voir le mode d'emploi de l'appareil que vous utilisez.

Manipulation des disques

- Chargez les disques avec leur face imprimée vers le haut. (Les CD n'ont qu'une seule face lisible.)
- Pour sortir un disque de son boîtier, commencez toujours par appuyer sur le centre du boîtier puis saisissez le disque par sa tranche.

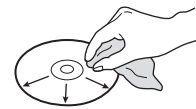
Sortie du boîtier



Maintien par le bord

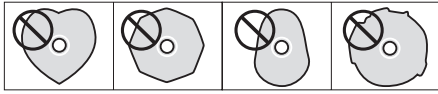


- Faites attention lors de la manipulation des disques. Si la face qui contient les données (face sans inscription) est rayée, salie par des empreintes digitales ou de façon générale sale ou tachée, des erreurs peuvent se produire durant la lecture.
- Si la face du disque où sont encodées les données (face non imprimée) est salie par des empreintes de doigt ou de la poussière, utilisez un chiffon doux pour essuyer la surface d'un mouvement allant du centre vers le bord extérieur. Nettoyez toujours les disques avant de les ranger. Ne pas nettoyer un disque sale risque de dégrader sa qualité sonore.



- N'employez jamais de nettoyants pour disque, traitements antistatiques, diluants ou produits chimiques similaires pour nettoyer les disques. De tels produits chimiques pourraient abîmer la surface du disque.
- Ne laissez pas les disques dans des lieux exposés directement à la lumière du soleil ou qui sont très humides ou très chauds.
- Pour écrire sur le côté inscriptible du disque, employez un marqueur permanent à pointe feutre. L'emploi d'un stylo à bille ou autre à pointe dure peut endommager le disque, le rendant illisible.
- Une fois que vous avez fini de lire un disque, remplacez-le toujours dans son boîtier pour le rangement. Ne pas le faire peut entraîner des déformations et des rayures.
- Ne posez pas d'étiquette ou d'autres matériaux sur les disques. N'utilisez pas de disque dont la surface conserve des résidus collants après par exemple le retrait d'un autocollant ou d'une étiquette. Si un tel disque est chargé, il peut se bloquer dans l'unité ou endommager celle-ci.
- N'utilisez jamais de stabilisateurs de CD du commerce. Cela pourrait rendre le disque illisible ou endommager l'unité.
- N'utilisez pas de disques fendus car ils pourraient endommager l'unité.

- N'employez jamais de disques ayant une forme irrégulière, dont des disques en forme de cœur ou octogonaux, car ils peuvent endommager l'unité.



- N'employez pas de disques imprimables, c'est-à-dire dont la face inscriptible peut être imprimée. Comme de tels disques ont une surface spécialement traitée, si on les charge, ils peuvent se coincer dans l'unité ou l'endommager.

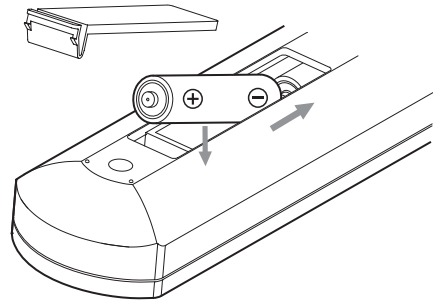
Si vous avez des questions quant à la façon de manipuler un CD-R ou CD-RW, contactez directement son fabricant.

Précautions pour l'utilisation de la télécommande

- Pour utiliser la télécommande, pointez-la vers le capteur de télécommande de l'unité principale dans un rayon maximal de 7 m. Ne placez pas d'obstacles entre l'unité principale et la télécommande.
- La télécommande peut ne pas fonctionner si le capteur de signal de télécommande est exposé à la lumière du soleil ou à une forte source lumineuse.
- Sachez que l'emploi de cette télécommande peut entraîner le déclenchement involontaire d'opérations sur d'autres appareils contrôlables par rayons infrarouges.

Installation des piles

Ouvrez l'arrière de la télécommande et insérez deux piles AAA avec leurs pôles \oplus/\ominus orientés comme indiqué dans le boîtier. Remplacez le couvercle.



Quand faut-il remplacer les piles ?

Si la portée d'action de la télécommande diminue ou si l'unité principale cesse de répondre aux touches de la télécommande, remplacez les deux piles par des neuves.

Jetez les piles usagées conformément à leurs instructions ou aux directives établies par votre municipalité.



Précautions concernant les piles

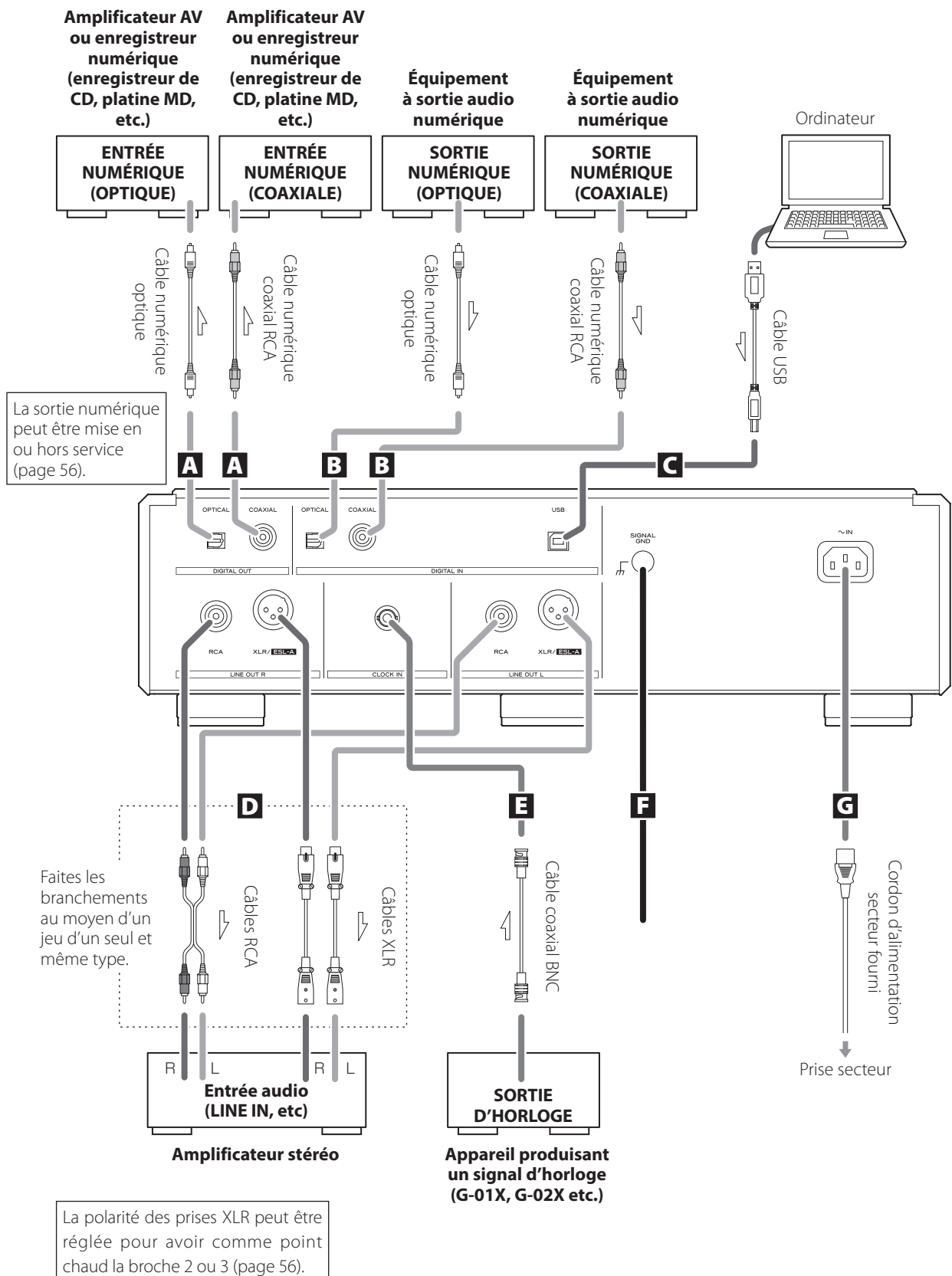
Un mauvais emploi des piles peut entraîner leur rupture ou leur fuite, avec pour conséquence un incendie, des blessures ou la salissure des objets proches.

Veillez attentivement lire et respecter les précautions en page 34.

Faire les branchements

⚠ Précautions lors des branchements

- Après avoir terminé tous les autres branchements, insérez la fiche du cordon d'alimentation dans une prise secteur.
- Lisez les modes d'emploi de tous les appareils qui seront connectés et suivez leurs instructions.



A Prises de sortie audio numérique (DIGITAL OUT)

Elles produisent les signaux audio numériques des CD lus sur cette unité et les signaux reçus par les prises d'entrée audio numérique de cette unité (DIGITAL IN).

Branchez les prises de sortie audio numérique (DIGITAL OUT) de cette unité aux prises d'entrée audio numérique d'autres appareils numériques, comme un convertisseur N/A, un amplificateur AV ou un enregistreur.

Utilisez des câbles du commerce pour les branchements.

COAXIAL : câble numérique coaxial RCA
OPTICAL : câble numérique optique (TOS)

- Ces prises ne peuvent pas produire les données audio numériques d'un Super Audio CD.
- La sortie numérique peut être réglée sur OFF ou ON (page 56).

B Prises d'entrée audio numérique (DIGITAL IN)

Servent à recevoir les signaux audio numériques. Elles peuvent être reliées aux prises de sortie numérique des appareils audio appropriés.

Elles peuvent recevoir des signaux jusqu'en 24 bits avec des fréquences d'échantillonnage de 32 à 192 kHz.

Utilisez des câbles du commerce pour les branchements.

COAXIAL : câble numérique coaxial RCA
OPTICAL : câble numérique optique (TOS)

C Port USB

Sert à recevoir le signal audio numérique d'un ordinateur. Reliez-le au port USB d'un ordinateur.

Pour le branchement, utilisez un câble USB du commerce.

- Avant de brancher, lisez les pages 52 à 53.

D Prises de sortie audio analogique (LINE OUT)

Elles produisent 2 canaux de signal audio analogique. Reliez les prises XLR ou RCA à un amplificateur.

Utilisez des câbles du commerce pour les branchements.

XLR : câbles XLR
RCA : câbles RCA

Reliez la prise R (droite) de cette unité à la prise R de l'amplificateur, et sa prise L (gauche) à la prise L de l'amplificateur.

- Réglez la sortie analogique sur ESLA, XLR2, XLR3, RCA ou OFF (page 56).
- Si vous branchez cette unité à un amplificateur doté de prises ES-LINK Analog (ESL-A), nous vous recommandons de brancher les prises XLR aux prises ES-LINK Analog (ESL-A) de l'amplificateur (page 42).

E Prise CLOCK IN

Utilisez-la pour recevoir le signal de synchronisation d'horloge. Si vous utilisez un générateur d'horloge maître, raccordez sa sortie d'horloge à la prise CLOCK IN de cette unité.

Pour le branchement, utilisez un câble coaxial BNC du commerce.

- Des câbles coaxiaux BNC d'une impédance de 50 Ω ou 75 Ω peuvent être utilisés.

F Borne de masse SIGNAL GND

La qualité audio peut être améliorée en reliant cette borne de masse à un amplificateur ou à un autre appareil connecté à cette unité.

- Ce n'est pas un branchement de terre de sécurité électrique.

G Prise d'entrée secteur (~IN)

Branchez le cordon d'alimentation fourni à cette prise. Après avoir terminé tous les autres branchements, insérez la fiche du cordon d'alimentation dans une prise secteur.

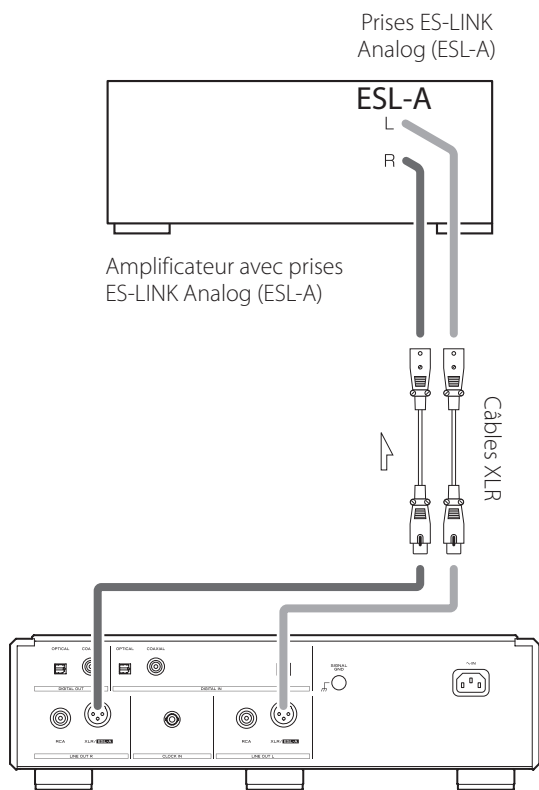


N'utilisez qu'un authentique cordon d'alimentation ESOTERIC. L'utilisation d'autres cordons d'alimentation peut entraîner un incendie ou un choc électrique.



Débranchez le cordon de la prise secteur en cas de non-utilisation prolongée de l'unité.

Branchement par liaison ES-LINK Analog



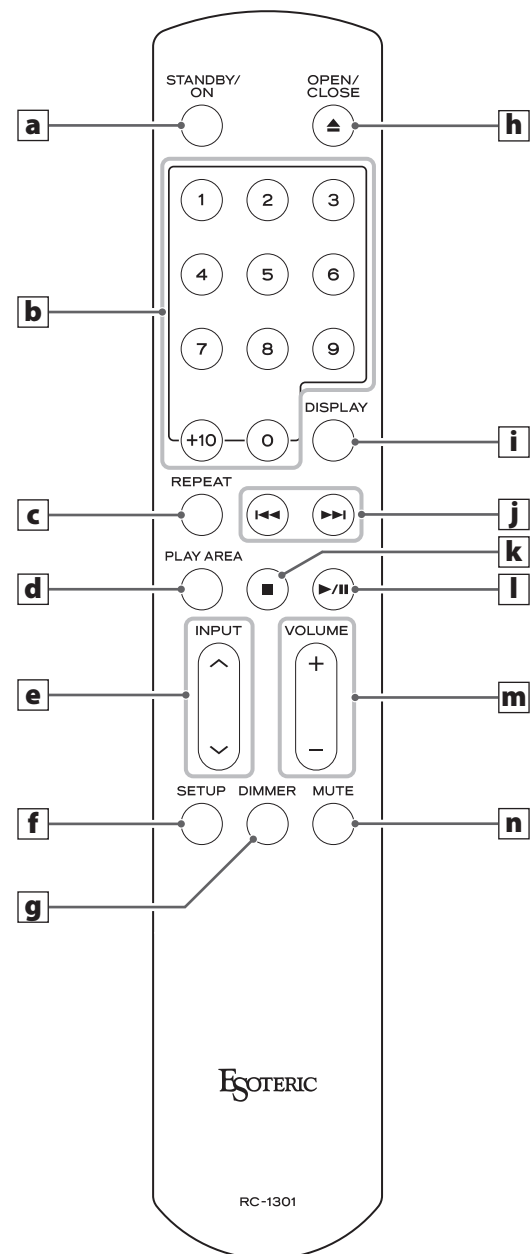
Utilisez des câbles XLR pour raccorder les prises de sortie audio analogique (XLR/ESL-A) de cette unité aux prises ES-LINK Analog (ESL-A) d'un amplificateur.

- Réglez la sortie analogique (AOUT) de cette unité sur ESLA.
- Vous pouvez également faire la connexion à l'aide des prises XLR ou RCA. Sélectionnez le type de connexion qui apporte la qualité audio que vous préférez.

Présentation d'ES-LINK Analog

En utilisant une méthode de transmission de courant exploitant les hautes performances d'un circuit tampon HCLD, qui a la capacité de fournir un fort courant à haut débit, les effets de l'impédance sur le parcours du signal sont supprimés et les signaux sont transmis de façon aussi pure et puissante que possible.

- Cette connexion se fait au moyen de câbles symétriques ordinaires (à connecteurs XLR). Ces prises ne peuvent toutefois être raccordées qu'à des appareils compatibles, car le format de transmission est particulier.



Si l'unité principale et la télécommande ont chacune des boutons ayant la même fonction, nous n'expliquons dans ce mode d'emploi les procédures que pour l'utilisation de l'une ou de l'autre. Néanmoins, la touche homologue peut s'utiliser de la même façon.

a Touche STANDBY/ON

Cette touche ne sert pas avec cette unité.

b Touches numériques

Servent à sélectionner les pistes (page 49).

c Touche REPEAT

Sert à la répétition ou lecture en boucle (page 49).
Maintenez-la pressée pour passer en mode programme (page 50).

d Touche PLAY AREA

À l'arrêt, appuyez sur cette touche pour changer la zone de lecture d'un Super Audio CD (page 47).

e Touches INPUT (^/∨)

Ces touches ne servent pas avec cette unité. Elles peuvent servir à changer d'entrée sur les amplificateurs ESOTERIC.

f Touche SETUP

Cette touche ne sert pas avec cette unité. Elle peut servir avec d'autres produits ESOTERIC, dont des amplificateurs.

g Touche DIMMER

Sert à régler la luminosité de l'écran de l'unité principale (page 57).

h Touche OPEN/CLOSE (▲)

Appuyez pour ouvrir et fermer le tiroir de disque (page 46).

i Touche DISPLAY

Durant la lecture ou en pause, appuyez sur cette touche pour changer ce qui est affiché (page 48).

j Touches de saut (◀◀/▶▶)

Appuyez sur ces touches pour sauter à la piste précédente ou suivante.

Durant la lecture, maintenez-les pressées au moins une seconde pour une recherche en arrière/avant. Répétez la pression et le maintien durant plus d'une seconde pour changer la vitesse de recherche en arrière/avant parmi trois niveaux possibles (page 48).
Servent à changer les paramètres en mode de réglage (page 54).

k Touche Stop (■)

Appuyez pour stopper la lecture (page 47).

l Touche Lecture/Pause (▶/||)

Appuyez à l'arrêt ou en pause pour lancer la lecture (page 47).
Appuyez durant la lecture pour la mettre en pause (page 47).

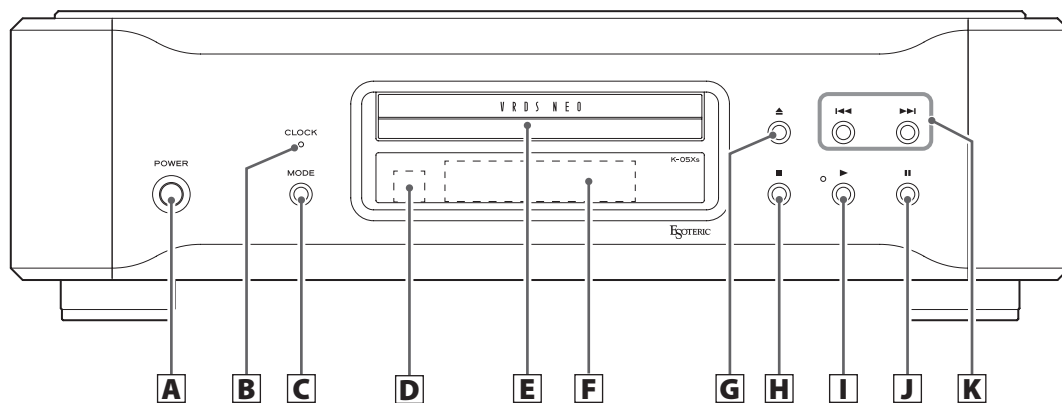
m Touches VOLUME (+/-)

Ces touches ne servent pas avec cette unité. Elles peuvent servir avec d'autres produits ESOTERIC, dont des amplificateurs.

n Touche MUTE

Cette touche ne sert pas avec cette unité. Elle peut être utilisée pour couper le son des amplificateurs ESOTERIC.

Parties et fonctions de l'unité principale



● Cette illustration représente le K-05Xs

A Touche POWER

Appuyez pour mettre l'unité sous et hors tension. Quand l'unité est sous tension, le pourtour de la touche est allumé en bleu. Quand l'unité est hors tension, le pourtour de la touche est éteint.

Quand vous n'utilisez pas l'unité, éteignez-la.

B Voyant CLOCK

Indique le statut de synchronisation d'horloge. Ce voyant clignote lors de la synchronisation d'horloge et s'allume fixement quand l'unité est verrouillée sur le signal.

C Touche MODE

À l'arrêt, appuyez sur cette touche pour changer de source d'entrée. Quand une entrée externe est sélectionnée, l'unité peut servir de convertisseur N/A (page 51). Maintenez cette touche pressée au moins deux secondes pour passer en mode de réglage (page 54).

D Capteur de signal de télécommande

Reçoit les signaux de la télécommande. Quand vous utilisez la télécommande, pointez son extrémité vers ce panneau de réception (page 39).

E Tiroir de disque

Chargez ici le disque à lire (page 46).

F Écran

Affiche la durée de lecture, le nombre de pistes et d'autres informations (page 48).

G Touche d'ouverture/fermeture de tiroir (▲)

Appuyez pour ouvrir et fermer le tiroir de disque.

H Touche Stop (■)

Appuyez pour stopper la lecture (page 47).
À l'arrêt, maintenez pressée cette touche pendant au moins deux secondes pour changer de zone de lecture sur un Super Audio CD (page 47).
Appuyez sur cette touche en mode de réglage pour mettre fin à la modification des paramètres et revenir à l'affichage normal (page 54).

I Touche Lecture (▶)

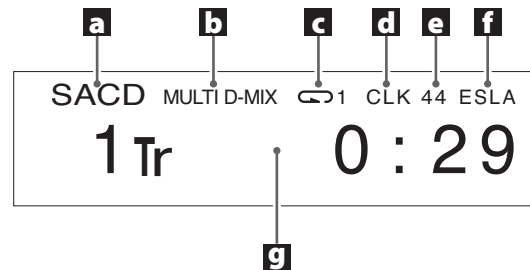
Appuyez pour lancer la lecture du disque (page 46).
Durant la lecture, le voyant adjacent à cette touche s'allume.

J Touche Pause (||)

Appuyez pour mettre la lecture en pause (page 47).
En pause, le voyant adjacent à la touche de lecture clignote.

K Touches de saut (◀◀/▶▶)

Servent à sauter à la piste précédente ou suivante.
Durant la lecture, maintenez-les pressées au moins une seconde pour une recherche en arrière/avant. Répétez la pression et le maintien durant plus d'une seconde pour changer la vitesse de recherche en arrière/avant parmi trois niveaux possibles (page 48).
Servent à changer les paramètres en mode de réglage (page 54).



a Type de disque

Affiche le type du disque actuellement chargé.

- SACD : Super Audio CD
- CD : CD audio

b Informations

Durant la lecture d'un Super Audio CD

Pas d'indicateur :

La zone à deux canaux d'un Super Audio CD est sélectionnée.

MULTI D-MIX :

Apparaît quand le signal audio multicanal d'un Super Audio CD est réduit en stéréo avant sortie.

DSD DIRECT :

Apparaît lorsque la zone à deux canaux d'un Super Audio CD est sélectionnée et que le paramètre DSDF (filtre DSD) est réglé sur OFF.

Durant la lecture de CD et pour l'entrée COAX, OPT ou USB

Pas d'indicateur :

La fonction de conversion ascendante n'est pas en service.

DSD DIRECT :

Si DSDF (filtre DSD) est réglé sur OFF, ce message s'affiche quand un signal DSD entre.

UPCONV :

Le circuit augmentera la fréquence d'échantillonnage du signal avant conversion numérique vers analogique.

- Le multiple de conversion ascendante est affiché à droite d'UPCONV (page 55).

UPCONV DSD :

Le circuit convertira le signal PCM en signal DSD avant conversion numérique vers analogique.

c Indicateur de lecture en boucle

Apparaît durant la lecture en boucle (page 49).

d Mode d'horloge

Indique le mode d'horloge (page 55).

- Pas d'indicateur : CLK (horloge) réglée sur OFF
- CLK : CLK (horloge) réglée sur SYNC
- MCK : CLK (horloge) réglée sur MCK

e Fréquence d'horloge d'entrée

La fréquence du signal de synchronisation d'horloge reçu par la prise d'entrée CLOCK IN est abrégée pour l'affichage.

Par exemple, une fréquence de 44,1 kHz s'affiche sous la forme « 44 ».

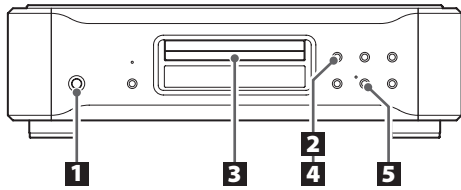
f Réglage de sortie analogique

Affiche le réglage de sortie analogique (AOUT) (ESLA, XLR2, XLR3 ou RCA).

Rien n'apparaît pour un réglage sur OFF.

g Zone d'affichage de message

La durée de lecture et divers messages apparaissent ici.



1 Appuyez sur la touche POWER pour allumer l'unité.

POWER



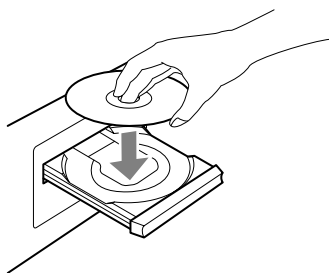
Le pourtour de la touche POWER s'allume en bleu.

2 Appuyez sur la touche d'ouverture/fermeture de tiroir (▲).



Le tiroir de disque s'ouvre.

3 Placez un disque au centre du tiroir avec sa face sérigraphiée vers le haut.



- Si le tiroir est refermé alors qu'un disque est en dehors des guides de centrage, le disque peut être coincé à l'intérieur et le tiroir risque de ne plus s'ouvrir. Veillez à toujours placer les disques dans les guides au centre du tiroir.

4 Appuyez sur la touche d'ouverture/fermeture de tiroir (▲).



Le tiroir de disque se ferme. Veillez bien à ne pas vous coincer les doigts quand le tiroir se ferme.

- Il faut un certain temps à l'unité pour charger le disque. Quand le disque est chargé, le type du disque, le nombre de pistes qu'il contient et la durée totale de ces pistes s'affichent à l'écran (page 48).

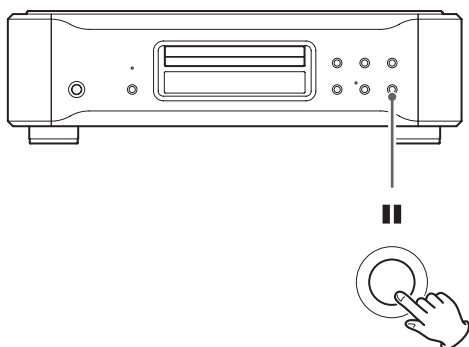
5 Appuyez sur la touche Lecture (▶).



La lecture démarre.

Durant la lecture, le voyant adjacent à cette touche s'allume en bleu.

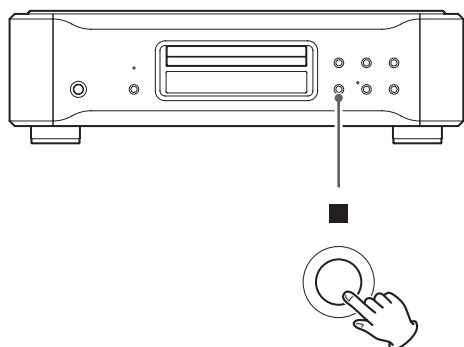
Mise en pause de la lecture



Durant la lecture, appuyez sur la touche Pause (■) pour mettre la lecture en pause. En pause, le voyant de lecture clignote sur l'unité principale.

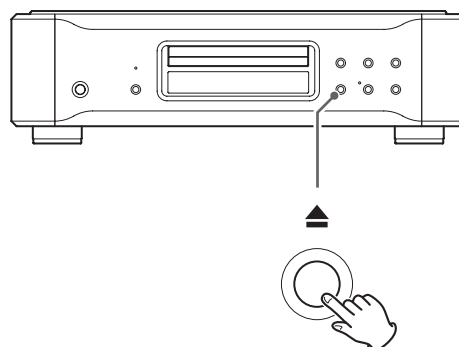
Appuyez sur la touche Lecture (▶) ou Pause (■) pour relancer la lecture.

Arrêt de la lecture



Appuyez sur la touche Stop (■) pour arrêter la lecture.

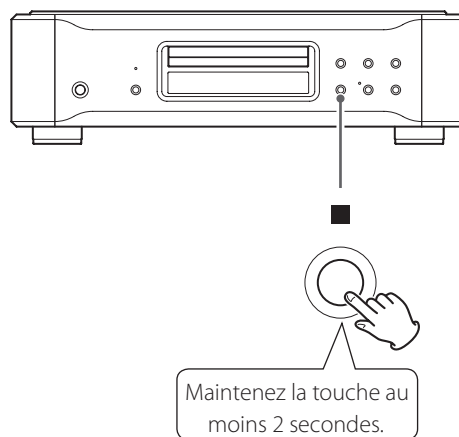
Ouverture et fermeture du tiroir de disque



Appuyez une fois sur la touche d'ouverture/fermeture du tiroir (▲) pour ouvrir ce dernier et appuyez dessus pour le fermer.

- Si vous appuyez sur la touche d'ouverture/fermeture du tiroir (▲) durant la lecture d'un disque, plusieurs secondes s'écouleront avant que le tiroir ne s'ouvre.

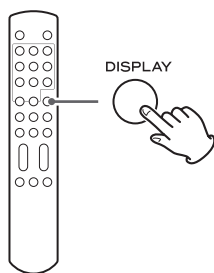
Changement de la zone de lecture



Certains Super Audio CD ont plusieurs zones, incluant le signal audio stéréo (2 canaux) et le signal audio multicanal. Les Super Audio CD hybrides ont deux couches dont une contient un signal audio de qualité CD normale.

À l'arrêt, appuyez sur la touche Stop (■) pendant au moins deux secondes pour changer de zone de lecture.

- Pour changer la zone de lecture depuis la télécommande, appuyez sur la touche PLAY AREA alors que l'unité est à l'arrêt.
- Lorsque la zone multicanal d'un Super Audio CD est sélectionnée, l'audio multicanal subit un mixage de réduction en stéréo et est lu.



Durant la lecture du disque et en pause, chaque fois que l'on appuie sur la touche DISPLAY, les informations affichées à l'écran changent comme suit.

Exemples :

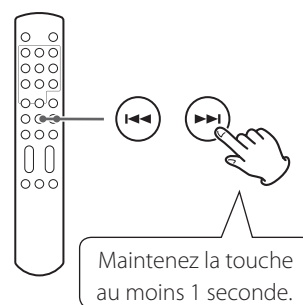


- À l'arrêt, le nombre total de pistes et la durée totale de lecture du disque sont affichés.

Exemples :



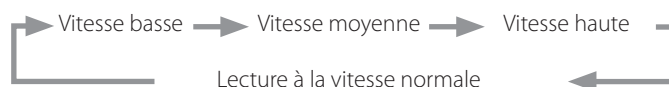
Recherche en arrière/avant



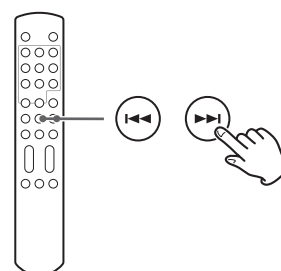
Durant la lecture, pressez et maintenez (au moins une seconde) une touche de saut (I◀◀/▶▶I) sur l'unité principale ou la télécommande jusqu'à ce que la recherche en arrière/avant commence. Quand vous avez trouvé le passage que vous voulez écouter, appuyez sur la touche Lecture (▶) de l'unité principale ou sur la touche Lecture/Pause (▶/||) de la télécommande.

Vous pouvez changer la vitesse de recherche en arrière/avant en appuyant plusieurs fois sur la touche de saut (I◀◀/▶▶I) et en la maintenant pressée durant au moins une seconde à chaque fois.

La vitesse de clignotement à l'écran du < ou du > change aussi.



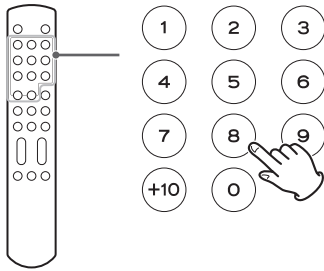
Sauts de pistes



Durant la lecture, appuyez sur une touche de saut (I◀◀/▶▶I) de l'unité principale ou de la télécommande pour sauter à la piste précédente ou suivante et lancer la lecture.

- Appuyez une fois sur la touche I◀◀ pour revenir au début de la piste actuelle. Appuyez plusieurs fois sur la touche I◀◀ pour retourner à une piste antérieure. Si la tête de lecture est à moins d'une seconde du début de la piste actuelle, appuyer sur la touche I◀◀ fera par contre sauter au début de la piste précédente.
- À l'arrêt ou en pause, utilisez les touches I◀◀/▶▶I pour sélectionner une piste et vous mettre en pause à son début.

Utilisation des touches numériques pour sélectionner la piste à lire



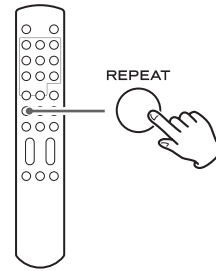
En lecture ou à l'arrêt, vous pouvez appuyer sur les touches numériques pour sélectionner une piste et lancer sa lecture.

Pour lire une piste ayant un numéro à un seul chiffre, appuyez sur la touche numérique correspondante. Pour lire une piste ayant un numéro à deux chiffres, appuyez autant de fois que nécessaire sur la touche +10 pour obtenir le chiffre des dizaines puis appuyez sur la touche numérique correspondant au deuxième chiffre. Une fois le numéro de piste saisi, la lecture démarre.

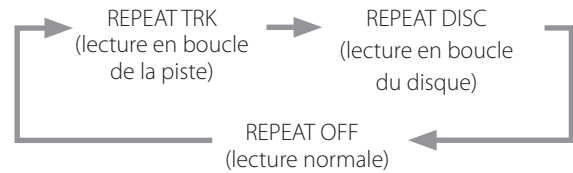
Exemples :

Piste 7 :

Piste 23 : ➡ ➡



Durant la lecture, appuyez sur la touche REPEAT pour passer en revue les modes de lecture en boucle suivants :



REPEAT TRK

La piste actuelle est lue en boucle. Pendant la lecture en boucle, sélectionnez une autre piste pour lire celle-ci en boucle.

REPEAT DISC

Toutes les pistes du disque actuel sont lues en boucle.

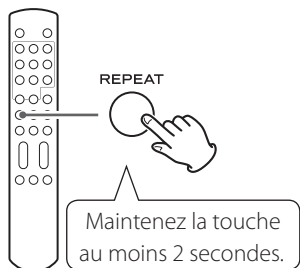
- L'arrêt de la lecture met au fin au mode de lecture en boucle.

Lecture de programme

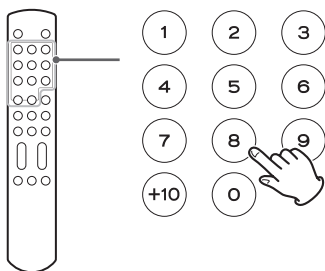
Vous pouvez programmer jusqu'à 30 pistes dans l'ordre dans lequel vous voulez les écouter.

1 À l'arrêt ou en lecture, maintenez la touche REPEAT pressée au moins deux secondes.

Si vous appuyez sur cette touche durant la lecture, la piste actuellement lue sera ajoutée au programme comme première piste.



2 Utilisez les touches numériques pour sélectionner les pistes que vous souhaitez programmer.



Exemples :

Piste 3 : (3)

Piste 12 : (+10) ➡ (2)

Piste 20 : (+10) ➡ (+10) ➡ (0)



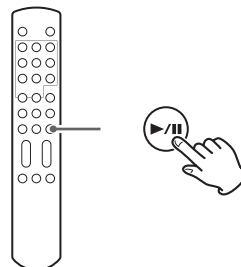
Pour programmer d'autres pistes, continuez d'appuyer sur les touches numériques.

- Les numéros de piste qui n'existent pas dans le disque actuellement chargé ne peuvent pas être ajoutés au programme.

3 Quand vous avez fini d'ajouter des pistes au programme, appuyez sur la touche Lecture/Pause (▶/||).

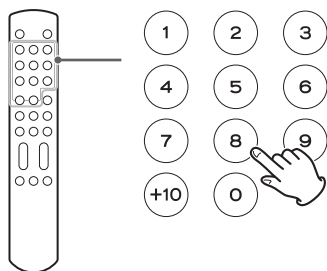
La lecture du programme démarre.

- Si vous avez créé le programme durant la lecture, vous n'avez pas à appuyer sur la touche Lecture/Pause (▶/||).



Ajout de pistes à la fin du programme

À l'arrêt ou en lecture, utilisez les touches numériques pour sélectionner la piste que vous voulez ajouter.



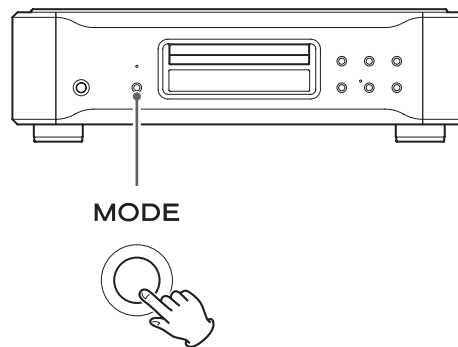
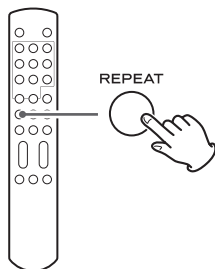
Effacement de l'ensemble du programme et reprise de la lecture normale

À l'arrêt ou en lecture, maintenez la touche REPEAT pressée au moins deux secondes pour quitter le mode programme.

Maintenez la touche REPEAT pressée au moins deux secondes durant la lecture de programme pour reprendre la lecture normale à partir de là.

- Quand la lecture ordinaire reprend, le contenu du programme est effacé.

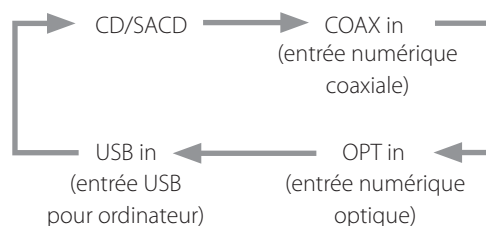
En outre, à l'arrêt ou en lecture, si vous appuyez sur la touche OPEN/CLOSE (▲) ou sur la touche d'alimentation POWER de l'unité principale, le contenu du programme est également effacé.



Cette unité peut servir de convertisseur N/A quand elle est réglée pour que sa source d'entrée soit une entrée numérique externe (COAX in, OPT in ou USB in).

Changement de la source d'entrée

À l'arrêt, appuyez plusieurs fois sur la touche MODE pour passer en revue les sources d'entrée suivantes.



- Quand une entrée numérique externe (COAX in, OPT in, USB in) est sélectionnée, le nom et la fréquence d'échantillonnage de l'entrée sélectionnée s'affichent à l'écran. S'il n'y a pas de signal en entrée ou si l'unité n'est pas verrouillée sur le signal entrant, la fréquence d'échantillonnage de l'entrée ne s'affiche pas et le nom de l'entrée clignote.
- Si le signal entrant n'est pas un signal audio numérique ou s'il est d'un format non pris en charge par cette unité (comme par exemple Dolby Digital, DTS ou AAC), « - - - » apparaît à la place de la fréquence d'échantillonnage. Réglez la sortie numérique de l'équipement connecté pour une sortie audio PCM.
- Quand une entrée externe (COAX in, OPT in, USB in) est sélectionnée, les commandes de disque autres que la touche d'ouverture/fermeture de tiroir (▲) ne fonctionnent pas.

Branchement d'un ordinateur et lecture de fichiers audio

Installation du pilote

Cette unité peut être connectée par USB et utilisée avec un ordinateur fonctionnant sous un des systèmes d'exploitation suivants. Le fonctionnement avec d'autres systèmes d'exploitation n'est pas garanti (en date de juin 2018).

Avec un Mac

Le pilote fonctionne avec les versions de système d'exploitation suivantes.

OS X Lion (10.7)
OS X Mountain Lion (10.8)
OS X Mavericks (10.9)
OS X Yosemite (10.10)
OS X El Capitan (10.11)
macOS Sierra (10.12)
macOS High Sierra (10.13)

- Cette unité peut fonctionner avec le pilote standard du système d'exploitation (OS), donc il n'y a pas besoin d'installer de pilote. Un pilote dédié doit toutefois être installé sur l'ordinateur pour utiliser Bulk Pet.

Avec Windows

Le pilote fonctionne avec les versions de système d'exploitation suivantes.

Windows 7 (32/64 bits)
Windows 8 (32/64 bits)
Windows 8.1 (32/64 bits)
Windows 10 (32/64 bits)

Installation du pilote sur un ordinateur

Avant de pouvoir utiliser cette unité pour lire des fichiers sur un ordinateur, vous devez d'abord télécharger le pilote dédié depuis la page de téléchargement d'ESOTERIC suivante et l'installer sur votre ordinateur.

Page de téléchargement du pilote logiciel
http://www.esoteric.jp/products/esoteric/usb/usb_driver_e.html
Installez le pilote logiciel dédié après l'avoir téléchargé depuis la page ci-dessus.

AVIS IMPORTANT

Vous devez installer le pilote logiciel dédié avant de brancher cette unité à un ordinateur à l'aide d'un câble USB.

Si vous branchez l'unité à l'ordinateur par USB avant d'installer le pilote, elle ne fonctionnera pas correctement.

Pour des instructions détaillées sur l'installation du pilote, veuillez consulter notre page de téléchargement.

Selon le matériel et le logiciel de l'ordinateur, un bon fonctionnement peut ne pas être possible même avec les systèmes d'exploitation ci-dessus.

Note à propos des modes de transmission

Cette unité se connecte en mode isochrone ou Bulk Pet.

Les fréquences d'échantillonnage qui peuvent être transmises sont 44,1 kHz, 48 kHz, 88,2 kHz, 96 kHz, 176,4 kHz, 192 kHz, 352,8 kHz, 384 kHz, 705,6 kHz et 768 kHz. Les DSD 2,8 MHz, 5,6 MHz, 11,2 MHz et 22,5 MHz sont également pris en charge.

- Le DSD 22,5 MHz n'est pris en charge qu'en lecture de DSD natif. Il n'est pas pris en charge avec la lecture au format DoP (audio DSD par PCM).

Après connexion correcte, vous pourrez sélectionner « ESOTERIC USB AUDIO DEVICE » (périphérique audio USB ESOTERIC) comme sortie audio pour le système d'exploitation.

Durant le transfert, les données audio envoyées par l'ordinateur seront traitées à l'aide de l'horloge de cette unité, ce qui permet de réduire la gigue qui survient lors de la transmission des données.

Téléchargement de l'application de lecture ESOTERIC HR Audio Player

Vous pouvez utiliser le lecteur ESOTERIC HR Audio Player pour lire des fichiers audio sur un ordinateur.

Veuillez télécharger cette application gratuite à l'adresse URL suivante.

http://www.esoteric.jp/products/esoteric/hr_audio/indexe.html

ESOTERIC HR Audio Player est un logiciel de lecture audio pour Windows et Mac qui prend en charge la lecture en haute qualité de sources audio à haute résolution. Vous pouvez l'utiliser pour profiter d'une reproduction en haute qualité de sources audio à haute résolution, y compris DSD, sans devoir faire de réglages complexes.

Note concernant le réglage d'ESOTERIC HR Audio Player

Pour lire des enregistrements DSD à 22,5 MHz avec ESOTERIC HR Audio Player, ouvrez la fenêtre Configure (configurer) et réglez « Decode mode » (mode de décodage) sur « DSD Native ».

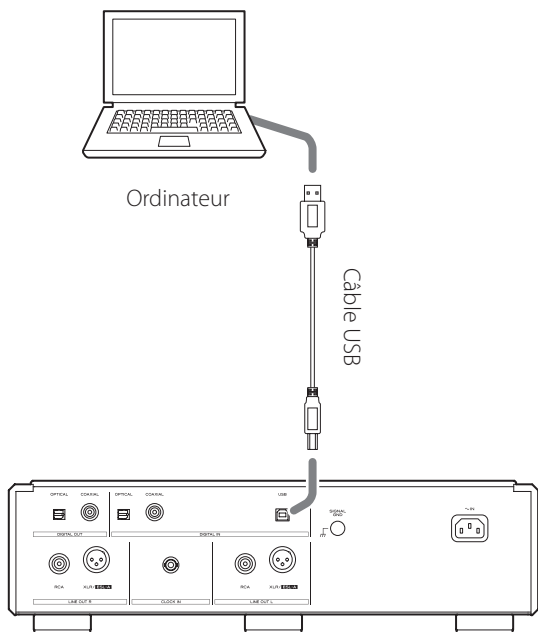
Pour lire des formats autres que le DSD à 22,5 MHz, vous pouvez régler ce paramètre comme vous le souhaitez sur « DSD over PCM » ou « DSD Native ».

Pour plus de détails, reportez-vous à la section « Selecting DSD decoding mode » (sélection du mode de décodage DSD) dans le mode d'emploi d'ESOTERIC HR Audio Player.

Lecture de fichiers audio

1 Branchez cette unité à l'ordinateur à l'aide d'un câble USB.

Utilisez un câble ayant une fiche qui correspond à la prise de cette unité.



2 Mettez l'ordinateur sous tension.

Vérifiez que son système d'exploitation a normalement démarré.

3 Appuyez sur la touche POWER pour allumer l'unité.

POWER



4 Appuyez plusieurs fois sur la touche MODE afin de sélectionner « USB in » (page 51).

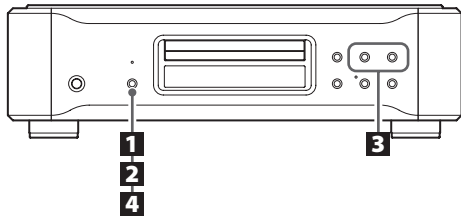
MODE



5 Lancez la lecture d'un fichier audio sur l'ordinateur.

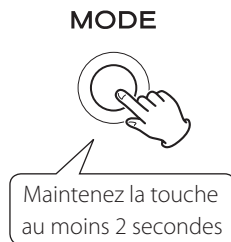
Pour une meilleure qualité audio, réglez le volume de l'ordinateur à son maximum et ajustez le volume de l'amplificateur connecté à cette unité. Réglez le volume de l'amplificateur au minimum quand vous lancez la lecture et montez-le progressivement.

- L'ordinateur ne peut pas servir à contrôler cette unité et cette unité ne peut pas servir à contrôler l'ordinateur.
- Cette unité ne peut pas transmettre de fichiers audio à l'ordinateur par USB.
- N'effectuez aucune des opérations suivantes pendant la lecture de fichiers audio par la connexion USB. Cela pourrait entraîner un mauvais fonctionnement de l'ordinateur. Quittez toujours le logiciel de lecture audio avant d'entamer une des actions suivantes.
 - Déconnexion du câble USB
 - Extinction de cette unité
 - Changement d'entrée
- Les sons accompagnant le fonctionnement de l'ordinateur seront également transmis lors de la lecture de fichiers audio via la connexion USB. Pour éviter de produire ces sons, faites les réglages nécessaires sur votre ordinateur.
- Si vous lancez le logiciel de lecture audio avant de brancher cette unité à l'ordinateur ou avant d'avoir réglé l'entrée sur « USB in », les fichiers audio peuvent ne pas être lus correctement. Si cela se produit, faites redémarrer le logiciel de lecture audio ou l'ordinateur.



Changement des réglages

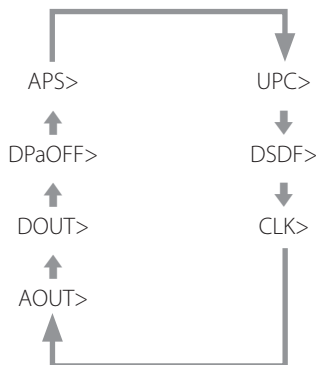
- 1** À l'arrêt ou en lecture, maintenez la touche **MODE** pressée au moins deux secondes.



- 2** Appuyez plusieurs fois sur la touche **MODE** pour sélectionner le paramètre de réglage désiré.



Chaque fois que vous appuyez sur la touche **MODE**, le paramètre affiché à l'écran change comme suit.



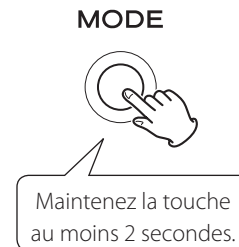
- Selon la source sélectionnée et le statut de fonctionnement, certains paramètres peuvent ne pas apparaître.
- Si vous ne faites rien durant au moins dix secondes, le mode de réglage est abandonné et l'affichage normal revient.
- Quand le menu est ouvert, si vous maintenez pressée la touche **MODE** durant au moins deux secondes, ou si vous appuyez une fois sur la touche **Stop** (■), le mode de réglage est abandonné et l'affichage normal réapparaît.

- 3** Avec les touches de saut (|◀◀/▶▶|) de l'unité principale ou de la télécommande, changez les réglages.



Pour changer plusieurs paramètres, répétez les étapes **2** et **3**.

- 4** Maintenez la touche **MODE** pressée pendant au moins deux secondes pour abandonner le mode de réglage.



Le mode de réglage se terminera aussi avec réapparition de l'affichage normal si rien n'est fait durant dix secondes ou si l'on appuie une fois sur la touche **Stop** (■).

- Les réglages sont conservés même après déconnexion du cordon d'alimentation.

Réglage de conversion ascendante

UPC>***

- Ce réglage peut se faire pour chaque entrée.
- Durant la lecture de Super Audio CD, le signal DSD est envoyé au convertisseur N/A sans conversion ascendante.

ORG (fréquence d'origine)

Le signal entrant est transmis au convertisseur N/A sans conversion ascendante.

2Fs

Les sources à 32 kHz, 44,1 kHz et 48 kHz sont converties à une valeur double, respectivement de 64 kHz, 88,2 kHz et 96 kHz, puis transmises au convertisseur N/A.

4Fs

Les sources à 32 kHz, 44,1 kHz, 48 kHz, 88,2 kHz et 96 kHz sont converties à une valeur double ou quadruple de 128 kHz, 176,4 kHz ou 192 kHz puis transmises au convertisseur N/A.

8Fs

Les sources à 32 kHz, 44,1 kHz, 48 kHz, 88,2 kHz, 96 kHz, 176,4 kHz et 192 kHz sont converties à une valeur double, quadruple ou octuple de 256 kHz, 352,8 kHz ou 384 kHz puis transmises au convertisseur N/A.

16Fs

Les sources à 32 kHz, 44,1 kHz, 48 kHz, 88,2 kHz, 96 kHz, 176,4 kHz, 192 kHz, 352,8 kHz et 384 kHz sont converties en 16, 8, 4 ou 2 fois leur valeur, soit 512 kHz, 705,6 kHz ou 768 kHz, puis transmises au convertisseur N/A.

DSD

Le signal est converti au format numérique DSD 22,5 MHz, puis transmis au convertisseur N/A.

Réglage du filtre numérique durant la lecture DSD

DSDf>***

OFF

Aucun filtre numérique n'est utilisé.

ON

Un filtre numérique est utilisé.

Réglage d'horloge (« Clock »)

CLK>***

OFF

La synchronisation d'horloge n'est pas employée.

SYNC

L'horloge maître de cette unité est synchronisée sur le signal d'horloge (44,1 kHz, 48 kHz, 88,2 kHz, 96 kHz, 176,4 kHz, 192 kHz ou 10 MHz) reçu par la prise d'entrée CLOCK IN et utilisé pour le fonctionnement.

MCK

Le signal à 22,5792 MHz/24,576 MHz reçu par la prise d'entrée CLOCK IN sert d'horloge maître.

Réglage de sortie analogique

AOUT>***

ESLA

Les signaux audio analogiques sortent par les prises XLR au format ES-LINK Analog (ESL-A).

- Ces connexions font appel à des câbles XLR ordinaires, mais les signaux sont transmis à un format unique qui ne doit être employé qu'avec des appareils compatibles.
- Voir page 42 pour en savoir plus sur la liaison ES-LINK Analog.

XLR2

Les signaux audio analogiques sortent par les prises XLR avec point chaud sur la broche 2.

XLR3

Les signaux audio analogiques sortent par les prises XLR avec point chaud sur la broche 3.

RCA

Les signaux audio analogiques sortent par les prises RCA.

OFF

Les sorties analogiques sont désactivées, de même que le convertisseur N/A.

Réglage de sortie numérique

DOUT>***

- Le signal sort sans conversion ascendante.
- Durant la lecture de Super Audio CD, ce paramètre est automatiquement réglé sur OFF.

OFF

Le signal audio numérique n'est pas produit.

ON

Le signal audio numérique est produit.

- Le signal audio numérique du CD est produit pendant la lecture du disque.
- Quand l'entrée est réglée sur COAX ou OPT, le signal entrant est produit tel quel.
- En cas d'entrée USB, le signal audio numérique est produit pour la lecture de fichiers PCM ayant des résolutions allant jusqu'à 192 kHz.
Les fichiers DSD et les fichiers PCM d'une résolution supérieure à 192 kHz ne sont pas produits numériquement.

Réglage d'assombrissement automatique de l'écran

DPaOFF>***

ON

Si la lecture est arrêtée et si aucune opération n'est effectuée pendant dix minutes, l'écran OEL s'éteint automatiquement.

OFF

Si la lecture est arrêtée et qu'aucune opération n'est effectuée pendant dix minutes, l'écran ne s'éteint pas, mais il s'assombrit jusqu'à la luminosité DIMMER 1 pour le protéger d'une usure excessive.

- Si l'écran OEL reste allumé longtemps sur les mêmes indications, des irrégularités de luminosité peuvent survenir. Pour cette raison, nous vous recommandons de régler la fonction d'assombrissement automatique de l'écran sur ON.

Réglage d'économie automatique d'énergie

APS>***

- Par défaut, le réglage est 30m.

Quand la source d'entrée est un CD/SACD, l'unité s'éteint automatiquement si le temps défini s'est écoulé sans qu'un disque ne soit chargé ou avec le disque à l'arrêt.

Quand la source est COAX in, OPT in ou USB in, l'unité s'éteint automatiquement après que se soit écoulé le temps défini sans avoir pu verrouiller un signal venant de la source d'entrée sélectionnée.

- Les sources d'entrée non sélectionnées n'agissent pas sur l'économie automatique d'énergie.

30m

30 minutes

60m

60 minutes

90m

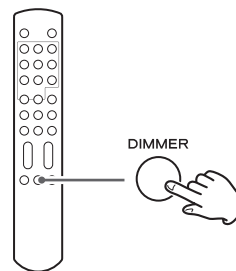
90 minutes

120m

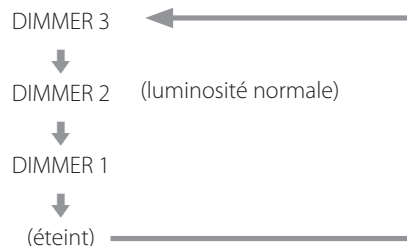
120 minutes

OFF

La fonction d'économie automatique d'énergie est désactivée.



Vous pouvez régler la luminosité de l'écran de l'unité principale.



- Même avec le réglage d'atténuateur fait pour que l'écran soit éteint, celui-ci s'allume avec une luminosité normale pendant environ trois secondes quand vous appuyez sur la touche ► ou sur une autre touche.
- Même quand l'atténuateur est réglé sur DIMMER 1 ou pour une extinction de l'écran, les menus de réglage et les messages d'erreur s'affichent avec une luminosité normale (DIMMER 2).

Si vous rencontrez un problème avec l'unité, veuillez prendre un moment pour lire les informations suivantes avant de solliciter une réparation. Par ailleurs, cette unité n'est peut-être pas la cause du problème. Veuillez aussi vérifier le fonctionnement des unités connectées.

Si ce produit ne fonctionne toujours pas correctement, contactez le revendeur chez qui vous l'avez acheté.

Générales

L'unité ne s'allume pas.

- ➔ Insérez la fiche d'alimentation dans une prise secteur.
- ➔ Vérifiez la connexion du cordon d'alimentation à cette unité.

L'unité s'éteint automatiquement.

- ➔ C'est la fonction d'économie automatique d'énergie qui a entraîné l'extinction de l'unité. Appuyez sur la touche POWER de l'unité principale pour l'allumer. Changez si nécessaire le réglage de la fonction d'économie automatique d'énergie (page 57).

La télécommande ne fonctionne pas.

- ➔ Mettez l'unité principale sous tension (page 46).
- ➔ Si les piles sont déchargées, remplacez les deux par des neuves (page 39).
- ➔ La télécommande ne fonctionnera pas s'il y a des obstacles entre elle et l'unité principale. Pointez la télécommande vers la face avant de l'unité à une distance de moins de 7 m environ (page 39).

Un téléviseur ou autre appareil ne fonctionne pas correctement.

- ➔ L'utilisation de la télécommande de cette unité peut amener certains téléviseurs télécommandables à fonctionner de façon incorrecte.

Impossible de lire un CD ou Super Audio CD.

- ➔ Appuyez plusieurs fois sur la touche MODE pour sélectionner « CD/SACD » (page 51).
- ➔ Chargez correctement le disque. Si le disque est à l'envers, rechargez-le avec sa face sérigraphiée vers le haut.
- ➔ Si le disque est sale, nettoyez-le (page 38).
- ➔ Si de la condensation s'est formée dans l'unité, allumez celle-ci et laissez-la allumée durant 1–2 heures (page 59).

L'unité ne répond pas quand on appuie sur les touches.

- ➔ Plusieurs pressions de touche sans interruption peuvent entraîner l'arrêt de la réponse de l'unité. Après avoir appuyé sur une touche, attendez que l'unité réponde.

Il y a du bruit.

- ➔ Éloignez autant que possible l'unité des téléviseurs et autres appareils à fort champ magnétique.

Aucun son ne sort des enceintes. Le son souffre de distorsion.

- ➔ Vérifiez les connexions avec l'ampli et les enceintes (page 40).
- ➔ Réglez le volume de l'amplificateur et des autres appareils.
- ➔ Si le disque est sale, nettoyez-le (page 38).
- ➔ Le signal audio numérique d'un Super Audio CD ne peut pas sortir par les prises de sortie audio numérique (DIGITAL OUT).
- ➔ Aucun son ne sort quand la lecture est en pause. Appuyez sur la touche Lecture (▶) pour reprendre la lecture normale.
- ➔ Vérifiez le réglage de sortie audio analogique (page 56).

L'enregistrement numérique n'est pas possible sur l'équipement externe connecté.

- ➔ Vous ne pouvez pas enregistrer tel quel le signal audio numérique d'un disque protégé contre la copie.

Le volume est notablement différent entre les CD et les Super Audio CD.

- ➔ Vous pouvez remarquer des différences de volume notables entre les CD normaux et les Super Audio CD. C'est le résultat des différences entre leurs méthodes d'enregistrement de données, de mastering et de création.

Synchronisation d'horloge

Le voyant CLOCK ne cesse pas de clignoter.

- ➔ Réglez CLK> sur OFF si vous n'utilisez pas la synchronisation d'horloge.
- ➔ Un signal d'horloge sur lequel l'unité ne peut pas se synchroniser est peut-être reçu. Vérifiez les branchements de la prise CLOCK IN et les réglages de l'appareil connecté.

Un bruit cyclique est produit.

- ➔ Si un bruit cyclique est émis quand l'unité est en mode de synchronisation d'horloge, c'est peut-être que l'appareil connecté n'est pas en mode de synchronisation d'horloge. Vérifiez le branchement de la prise CLOCK IN et le réglage de synchro d'horloge de l'appareil connecté.

Connexions USB avec un ordinateur

L'ordinateur ne reconnaît pas cette unité.

- ➔ Voir page 52 pour plus d'informations sur les systèmes d'exploitation pris en charge. Le fonctionnement avec des systèmes d'exploitation non pris en charge n'est pas garanti.

Il y a du bruit.

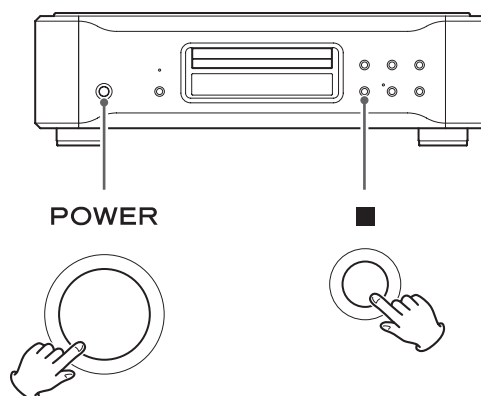
- ➔ Lancer d'autres applications durant la lecture d'un fichier audio peut interrompre la lecture ou causer du bruit. Ne lancez pas d'autres applications durant la lecture.
- ➔ Quand l'unité est branchée à un ordinateur via un concentrateur (hub) USB, par exemple, du bruit peut être entendu. Si cela se produit, branchez l'unité directement à l'ordinateur.

Les fichiers audio ne peuvent pas être lus.

- ➔ Connectez l'ordinateur et cette unité puis basculez sur l'entrée USB avant de lancer le logiciel de lecture audio et la lecture de fichier audio. Si vous branchez cette unité à l'ordinateur ou si vous réglez son entrée sur « USB in » après avoir lancé le logiciel de lecture audio, les fichiers audio peuvent ne pas être lus correctement.

Comme cette unité utilise un microcontrôleur, du bruit ou d'autres interférences externes peuvent entraîner son mauvais fonctionnement. Dans un tel cas, éteignez l'unité et patientez environ une minute avant de reprendre le fonctionnement depuis le début.

Rappel des réglages d'usine



Les réglages sont conservés même après déconnexion du cordon d'alimentation.

Suivez ces procédures pour restaurer les réglages d'usine par défaut et effacer tous les changements effectués en mémoire.

1 Éteignez l'unité.

Si l'unité est allumée, appuyez sur la touche POWER pour l'éteindre et attendez plus de 30 secondes.

2 Appuyez sur la touche POWER tout en maintenant la touche Stop (■) pressée sur l'unité principale.

Relâchez la touche Stop (■) quand « Setup CLR » (effacement de la configuration) s'affiche à l'écran.

Note concernant la condensation

Si on fait passer cette unité d'un environnement extérieur froid à une pièce chauffée, ou si par exemple le chauffage vient d'être allumé dans la pièce où elle se trouve, de la condensation peut se produire sur les pièces de fonctionnement ou les lentilles, entraînant un fonctionnement incorrect. Si cela se produit, laissez l'unité allumée et attendez 1–2 heures. Cela devrait permettre un retour de la lecture à la normale.

Caractéristiques techniques du K-05Xs

Types de disque lisibles

Super Audio CD, CD (CD-R et CD-RW compris)

Sorties audio analogiques

Prises XLR/ESL-A	1 paire (L/R)
Prises RCA	1 paire (L/R)
Impédance de sortie	
XLR	40 Ω
RCA	15 Ω
Niveau de sortie maximal (à 1 kHz, charge de 10 k Ω)	
XLR	5 Vrms
RCA	2,5 Vrms

En sortie XLR de Super Audio CD

Réponse en fréquence	5 Hz à 55 kHz (–3 dB)
Rapport signal/bruit	119 dB (pondération A)
Distorsion	0,0013 % (1 kHz)

Sorties audio numériques

COAXIAL	1
OPTICAL	1

Entrées audio numériques

COAXIAL	1
Impédance d'entrée	75 Ω
OPTICAL	1
Port USB (prise en charge de l'USB 2.0)	1 (type B)

Entrée d'horloge

Prise BNC	1
Impédance d'entrée	50 Ω
Fréquences recevables (± 15 ppm)	
	44,1 kHz, 48 kHz, 88,2 kHz, 96 kHz, 176,4 kHz, 192 kHz, 10 MHz, 22,5792 MHz, 24,576 MHz
Niveau d'entrée	
Onde rectangulaire	équivalent aux niveaux TTL
Onde sinusoïdale	0,5 à 1,0 Vrms

Générales

Alimentation électrique	
Modèle Europe	CA 220–240 V, 50/60 Hz
Modèle USA/Canada	CA 120 V, 60 Hz
Modèle Corée	CA 220 V, 60 Hz
Consommation électrique	22 W
Dimensions externes (L x H x P, saillies incluses) ..	445 x 132 x 357 mm
Poids	15,1 kg
Température de fonctionnement	+5 °C à +35 °C
Hygrométrie de fonctionnement	5 % à 85 % (sans condensation)
Température de stockage	–20 °C à +55 °C

Accessoires fournis

Cordon d'alimentation	× 1
Télécommande (RC-1301)	× 1
Piles pour télécommande (AAA)	× 2
Patins en feutre	× 3
Mode d'emploi (ce document)	× 1
Carte de garantie	× 1

- Caractéristiques techniques et aspect sont sujets à changements sans préavis.
- Le poids et les dimensions sont des valeurs approchées.
- Les illustrations de ce mode d'emploi peuvent légèrement différer des modèles de production.

Caractéristiques techniques du K-07Xs

Types de disque lisibles

Super Audio CD, CD (CD-R et CD-RW compris)

Sorties audio analogiques

Prises XLR/ESL-A	1 paire (L/R)
Prises RCA	1 paire (L/R)
Impédance de sortie	
XLR	40 Ω
RCA	15 Ω
Niveau de sortie maximal (à 1 kHz, charge de 10 k Ω)	
XLR	5 Vrms
RCA	2,5 Vrms

En sortie XLR de Super Audio CD

Réponse en fréquence	5 Hz à 55 kHz (–3 dB)
Rapport signal/bruit	119 dB (pondération A)
Distorsion	0,0013 % (1 kHz)

Sorties audio numériques

COAXIAL	1
OPTICAL	1

Entrées audio numériques

COAXIAL	1
Impédance d'entrée	75 Ω
OPTICAL	1
Port USB (prise en charge de l'USB 2.0)	1 (type B)

Entrée d'horloge

Prise BNC	1
Impédance d'entrée	50 Ω
Fréquences recevables (± 10 ppm)	
	44,1 kHz, 48 kHz, 88,2 kHz, 96 kHz, 176,4 kHz, 192 kHz, 10 MHz, 22,5792 MHz, 24,576 MHz
Niveau d'entrée	
Onde rectangulaire	équivalent aux niveaux TTL
Onde sinusoïdale	0,5 à 1,0 Vrms

Générales

Alimentation électrique	
Modèle Europe	CA 220–240 V, 50/60 Hz
Modèle USA/Canada	CA 120 V, 60 Hz
Modèle Corée	CA 220 V, 60 Hz
Consommation électrique	26 W
Dimensions externes (L x H x P, saillies incluses) ..	445 x 131 x 357 mm
Poids	14,2 kg
Température de fonctionnement	+5 °C à +35 °C
Hygrométrie de fonctionnement	5 % à 85 % (sans condensation)
Température de stockage	–20 °C à +55 °C

Accessoires fournis

Cordon d'alimentation x 1
Télécommande (RC-1301) x 1
Piles pour télécommande (AAA) x 2
Patins en feutre x 3
Mode d'emploi (ce document) x 1
Carte de garantie x 1

- Caractéristiques techniques et aspect sont sujets à changements sans préavis.
- Le poids et les dimensions sont des valeurs approchées.
- Les illustrations de ce mode d'emploi peuvent légèrement différer des modèles de production.

Schémas avec cotes

K-05Xs

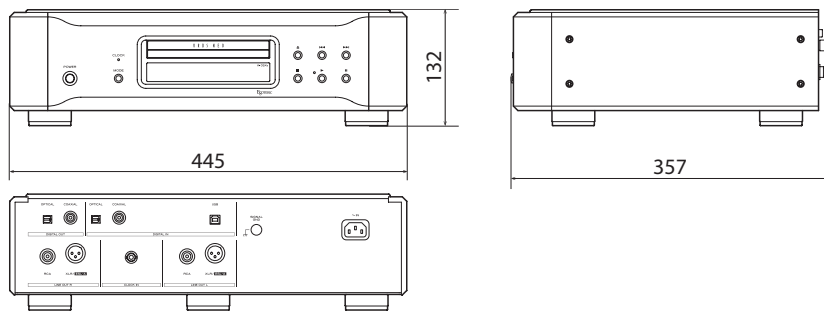
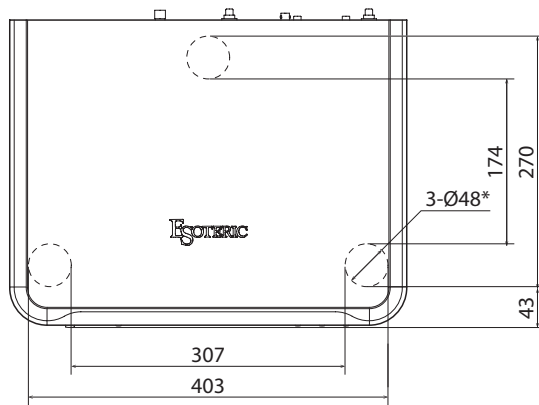


Schéma de positionnement des pieds



K-07Xs

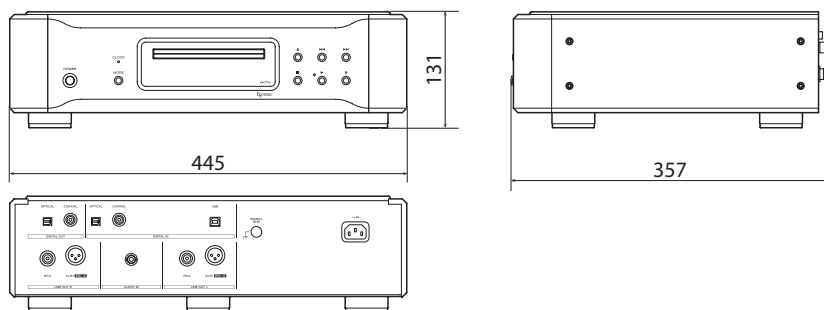
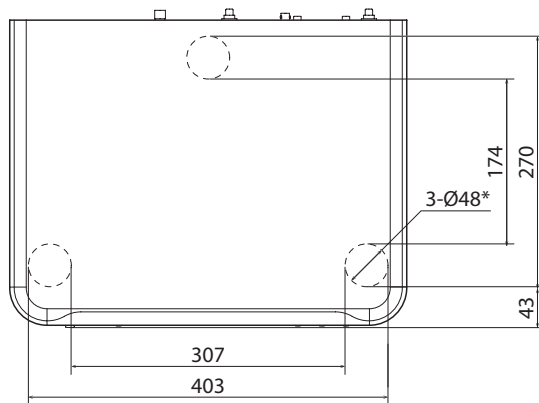


Schéma de positionnement des pieds



*Pieds de 48 mm de diamètre x 3

Les dimensions sont en millimètres (mm)

INSTRUCCIONES IMPORTANTES DE SEGURIDAD



CAUTION
RISK OF ELECTRIC SHOCK
DO NOT OPEN



PRECAUCIÓN: PARA REDUCIR EL RIESGO DE DESCARGA ELÉCTRICA, NO quite la cubierta (ni el panel posterior). NO HAY piezas internas que el usuario pueda reparar. PARA REPARACIONES, REMÍTASE A UN SERVICIO TÉCNICO CUALIFICADO.



El símbolo del rayo acabado en flecha dentro de un triángulo equilátero alerta al usuario de la presencia de un "voltaje peligroso" sin aislar dentro de la carcasa del producto que puede ser de magnitud suficiente como para constituir riesgo de descarga eléctrica para las personas.



El signo de exclamación dentro de un triángulo equilátero alerta al usuario de la presencia de importantes instrucciones de funcionamiento y mantenimiento en la literatura que acompaña al aparato.

AVISO: PARA EVITAR RIESGO DE INCENDIO O DESCARGAS ELÉCTRICAS, NO EXPONGA ESTE APARATO A LA LLUVIA NI A LA HUMEDAD.

PRECAUCIÓN

- NO quite las carcasas externas ni deje al aire la electrónica. ¡EN EL INTERIOR NO HAY piezas que el usuario pueda manipular!
- SI experimenta problemas con este producto, PÓNGASE EN CONTACTO CON EL ESTABLECIMIENTO DONDE ADQUIRIÓ LA UNIDAD PARA SOLICITAR SERVICIO TÉCNICO. NO UTILICE EL APARATO HASTA QUE HAYA SIDO REPARADO.
- EL USO DE CONTROLES, AJUSTES O PROCEDIMIENTOS QUE NO SEAN LOS ESPECIFICADOS EN ESTE MANUAL PUEDE CAUSAR EXPOSICIÓN A RADIACIONES PELIGROSAS.

- 1) Lea estas instrucciones.
- 2) Conserve estas instrucciones.
- 3) Cumpla con lo indicado en los avisos.
- 4) Siga todas las instrucciones.
- 5) No utilice este aparato cerca del agua.
- 6) Límpielo solo con un trapo seco.
- 7) No bloquee ninguna de las ranuras de ventilación. Instale este aparato de acuerdo con las instrucciones del fabricante.
- 8) No instale este aparato cerca de fuentes de calor como radiadores, calentadores, hornos u otros aparatos (incluyendo amplificadores) que produzcan calor.
- 9) No elimine el sistema de seguridad que supone el enchufe polarizado o con toma de tierra. Un enchufe polarizado tiene dos bornes, uno más ancho que el otro. Uno con toma de tierra tiene dos bornes iguales y una tercera lámina para la conexión a tierra. El borne ancho o la lámina se incluyen para su seguridad. Si el enchufe que venga con la unidad no encaja en su salida de corriente, haga que un electricista cambie su salida anticuada.

- 10) Evite que el cable de corriente quede de forma que pueda ser pisado o quedar retorcido o aplastado, especialmente en los enchufes, receptáculos o en el punto en el que salen del aparato.
- 11) Use solo accesorios / complementos especificados por el fabricante.

- 12) Utilice este aparato solo con un soporte, trípode o bastidor especificado por el fabricante o que se venda con el propio aparato. Cuando utilice un bastidor con ruedas, tenga cuidado al mover la combinación de aparato/bastidor para evitar que vuelque y puedan producirse daños.



- 13) Desconecte este aparato de la corriente durante las tormentas eléctricas o cuando no lo vaya a usar durante un periodo de tiempo largo.

- 14) Dirija cualquier posible reparación solo al servicio técnico oficial. Este aparato deberá ser reparado si se ha dañado de alguna forma, como por ejemplo si el cable de corriente o el enchufe están rotos, si ha sido derramado algún líquido sobre la unidad o algún objeto ha sido introducido en ella, si ha quedado expuesto a la lluvia o la humedad, si no funciona normalmente o si ha caído al suelo en algún momento.

- Este aparato libera corriente nominal no válida para el funcionamiento a través de la toma de corriente, aún cuando el interruptor de encendido y activación (POWER o STANDBY/ON) no esté en la posición de encendido (ON).
- El enchufe que se conecta a la red es el dispositivo de desconexión, por lo que deberá permanecer siempre en perfecto estado de uso.
- Deberá llevar cuidado si utiliza auriculares con este producto, ya que una excesiva presión sonora (volumen) procedente de los mismos puede causar pérdidas de audición.

AVISO

Los productos con construcción de Clase **I** están equipados con un cable de alimentación que tiene conexión de tierra. El cable de estos productos deberá conectarse a una toma de corriente que tenga conexión de protección de tierra.

EN EE. UU./CANADÁ, UTILICE SOLO ALIMENTACIÓN CON CORRIENTE DE 120 V.

PRECAUCIÓN

- No exponga este aparato a salpicaduras ni goteras.
- No coloque objetos que contengan líquidos, como por ejemplo jarrones, sobre el aparato.
- No instale este aparato en lugares cerrados tales como estanterías o similares.
- Este aparato debe situarse lo suficientemente cerca de una toma de electricidad como para poder alcanzar fácilmente el cable de corriente en cualquier momento.
- Si el producto utiliza pilas (esto incluye las pilas instaladas y los "packs" de pilas), se evitará su exposición directa al sol, al fuego o a cualquier otra fuente de calor excesivo.
- **PRECAUCIÓN** con los productos que emplean baterías de litio reemplazables: existe peligro de explosión si la batería se reemplaza por otra de tipo incorrecto. Reemplácela sólo por otra igual o de tipo equivalente.

INSTRUCCIONES IMPORTANTES DE SEGURIDAD (continuación)

Precauciones con respecto a las pilas

Un mal uso de las pilas puede hacer que se rompan o que tengan fugas y ello causar fuego, lesiones u oxidación en los objetos cercanos. Por favor, lea y observe las siguientes precauciones cuidadosamente.

- Asegúrese de introducir las pilas siempre con la correcta orientación de los polos positivo (+) y negativo (-).
- Use pilas del mismo tipo. Nunca utilice juntas pilas de tipos diferentes.
- Si no va a utilizar el mando a distancia durante mucho tiempo (más de un mes), quite las pilas para evitar que se sulfaten y tengan fugas.
- Si las pilas presentan fugas, limpie el líquido que haya caído en el compartimento y sustituya las pilas por otras nuevas.
- No utilice pilas que no sean del tipo especificado. No mezcle pilas nuevas con viejas ni utilice juntas pilas de tipos distintos.
- No caliente ni desarme las pilas. Nunca tire pilas al fuego ni al agua.
- No transporte ni almacene pilas con otros objetos metálicos. Las pilas podrían producir cortocircuitos, perder líquido o explotar.
- Nunca recargue una pila si no está completamente seguro de que es una pila recargable.

Información sobre el láser

Este producto contiene en el interior de su carcasa un sistema de láser semiconductor y está clasificado como "PRODUCTO LÁSER DE CLASE 1". Para evitar quedar expuesto al haz del rayo láser, no intente abrir la carcasa.

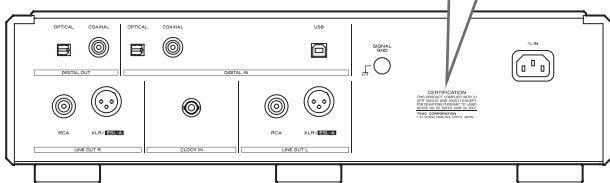
Láser:

Tipo:	SLD6163RL-G
Fabricante:	SONY CORPORATION
Potencia láser:	Inferior a 1 mW en la lente del objetivo
Longitud de onda:	785±15 nm (CD) 655±10 nm (Super Audio CD)

Modelo para EE. UU.

Este producto ha sido diseñado y fabricado de acuerdo con las normativas de la FDA, "título 21, CFR, capítulo 1, subcapítulo J, basado en el Acta de Control de Radiaciones para la Salud y la Seguridad de 1968", y está clasificado como producto láser de Clase I. No se produce radiación láser invisible peligrosa porque la radiación láser invisible emitida en el interior de este producto queda completamente confinada dentro de la carcasa protectora.

La etiqueta exigida por esta normativa es la siguiente:



Declaración de conformidad



Parte responsable:

Pioneer & Onkyo U.S.A. Corporation

Dirección: 22828 Lockness Avenue, Torrance, CA 90501 U.S.A.

Número de teléfono: 1-201-785-2600

Este dispositivo cumple con el apartado 15 de las Normas de la FCC.

Su funcionamiento está sujeto a las dos siguientes condiciones:

- 1) Este dispositivo no puede causar interferencias perjudiciales
- 2) Este dispositivo debe aceptar cualquier interferencia recibida, incluidas interferencias que puedan causar anomalías de funcionamiento.

Información

Se ha comprobado que este equipo cumple con los límites establecidos para los dispositivos digitales de Clase B, de acuerdo con el apartado 15 de las Normas de la FCC. Estos límites están diseñados para proporcionar una protección razonable contra interferencias perjudiciales en instalaciones residenciales. Este equipo genera, utiliza y puede irradiar energía de radiofrecuencia y, si no se instala y se utiliza de acuerdo con las instrucciones, puede causar interferencias perjudiciales en las comunicaciones por radio. Sin embargo, no se puede garantizar que dichas interferencias no se produzcan en instalaciones particulares. Si este equipo causa interferencias perjudiciales en la recepción de radio o televisión, que se comprueban apagando y encendiendo el equipo, se recomienda al usuario que intente corregirla mediante una o varias de las siguientes medidas:

- Reoriente o recoloque el equipo y/o la antena receptora.
- Aumente la separación entre el equipo y el receptor.
- Conecte el equipo a una toma de electricidad situada en un circuito eléctrico diferente al del receptor.
- Consulte al distribuidor o solicite ayuda a un técnico de radio/TV con experiencia.

PRECAUCIÓN

Cualquier cambio o modificación efectuada en este equipo que no haya sido expresamente aprobada por la parte responsable del cumplimiento de los requisitos exigidos podría invalidar el derecho del usuario a utilizar el equipo.



Modelo para Europa



Este producto cumple con las exigencias de las directivas europeas y con los reglamentos de la Comisión Europea.

Para consumidores europeos

Deshacerse de aparatos eléctricos, electrónicos, pilas/baterías y acumuladores

- Todos los aparatos eléctricos y electrónicos, y pilas/baterías y acumuladores gastados, deben ser eliminados separados del resto de basura común y únicamente en los "puntos limpios" o bajo los procedimientos especificados por el gobierno o autoridades municipales locales.
- Con la eliminación correcta de los equipos eléctricos y electrónicos, y de pilas/baterías y acumuladores gastados, estará ayudando a conservar recursos muy valiosos y a evitar los posibles efectos negativos en la salud humana y en el medio ambiente.
- La eliminación incorrecta de los equipos eléctricos y electrónicos, y pilas/baterías y acumuladores, puede producir efectos muy dañinos en el medio ambiente y en la salud humana a causa de las sustancias peligrosas que pueden encontrarse en estos equipos.
- El símbolo de Eliminación de Aparatos Eléctricos y Electrónicos (WEEE en inglés), identificado por cubos de basura con ruedas tachados, indican que los equipos eléctricos y electrónicos, y las pilas/baterías y acumuladores, deben ser eliminados de forma totalmente independiente con respecto a la basura doméstica.

Si una pila/batería o un acumulador contienen más cantidad de los valores especificados de plomo (Pb), mercurio (Hg), y/o cadmio (Cd) según está definido en la Directiva relativa a las pilas (2006/66/CE), entonces los símbolos químicos correspondientes a estos elementos estarán indicados debajo del símbolo WEEE.

Pb, Hg, Cd
- Existen sistemas para la eliminación y recogida a disposición del usuario final. Si necesita más información sobre cómo deshacerse de aparatos eléctricos y electrónicos antiguos, así como de pilas/baterías y acumuladores, póngase en contacto con su ayuntamiento, con la correspondiente empresa del servicio de recogida de residuos o con el establecimiento donde adquirió ese aparato.

"DSD" is a registered trademark.

"Super Audio CD" is a registered trademark.

This product incorporates copy protection technology that is protected by U.S. patents and other intellectual property rights of Rovi Corporation. The use of Rovi Corporation's copy protection technology in the product must be authorized by Rovi Corporation. Reverse engineering and disassembly are prohibited.

Microsoft and Windows are either registered trademarks or trademarks of Microsoft Corporation in the United States and/or other countries.

Apple, Mac, OS X and macOS are trademarks of Apple Inc., registered in the U.S. and other countries.

Bulk Pet is a registered trademark of INTERFACE CO., LTD.

ESOTERIC is a trademark of TEAC CORPORATION, registered in the U.S. and other countries.

Los nombres de otras compañías, nombres de productos y logos que aparecen en este documento son marcas comerciales o registradas de sus respectivos propietarios.

ATENCIÓN

Esta unidad solamente emite señales analógicas y digitales por los tipos de terminales analógicos y digitales seleccionados en cada momento.

Antes de usar la unidad, ajuste la salida analógica en ESLA, XLR2, XLR3, RCA u OFF y la salida digital en OFF u ON.

Consulte "Modo de configuración" en la página 84, y "Ajuste de salida analógica" y "Ajuste de salida digital" en la página 86.

Gracias por adquirir este producto ESOTERIC.

Lea este manual atentamente para obtener el mejor rendimiento de este producto. Después de leerlo, guárdelo en un lugar seguro, junto con la tarjeta de la garantía, para futuras consultas.

INSTRUCCIONES IMPORTANTES DE SEGURIDAD	63
Marcas y derechos.....	65
Antes de su utilización.....	67
Precauciones de uso.....	67
Notas sobre los discos	68
Notas sobre el mando a distancia.....	69
Realizar las conexiones	70
Partes y funciones del mando a distancia	72
Partes y funciones de la unidad principal.....	74
Partes y funciones de la pantalla	75
Reproducción	76
Pantalla.....	78
Selección de pistas	78
Reproducción repetida	79
Reproducción programada	80
Modo de convertidor D/A	81
Conexión a un ordenador y reproducción de archivos de audio ..	82
Modo de configuración.....	84
Apartados de configuración y sus opciones.....	85
Atenuador de pantalla.....	87
Solución de problemas	88
Especificaciones del K-05Xs.....	90
Especificaciones del K-07Xs.....	91
Dibujos con las dimensiones.....	92

Qué hay en la caja


Compruebe que la caja incluye todos los accesorios suministrados que se muestran a continuación. Por favor, póngase en contacto con el establecimiento donde adquirió esta unidad si falta cualquiera de estos accesorios o si alguno ha sufrido desperfectos durante el transporte.

- Cable de corriente × 1
- Mando a distancia (RC-1301) × 1
- Pilas para el mando a distancia (AAA) × 2
- Almohadillas de fieltro × 3
- Manual del usuario (este documento) × 1
- Tarjeta de garantía × 1

Mantenimiento

Utilice un paño suave y seco para limpiar la superficie de la unidad. Para manchas difíciles, use un paño húmedo que haya sido bien escurrido para eliminar el exceso de líquido.

- Nunca pulverice líquido directamente sobre esta unidad.
- No utilice gamuzas ni paños impregnados con productos químicos, ni disolvente u otras sustancias químicas, ya que pueden dañar la superficie de la unidad.
- Evite que materiales de goma o de plástico estén en contacto con la unidad durante largos períodos de tiempo, ya que pueden dañar la carcasa.

 **Por seguridad, desenchufe el cable de corriente de la toma de electricidad antes de proceder a la limpieza.**

- No coloque nada encima de esta unidad.
- No instale esta unidad donde pueda calentarse. Esto incluye lugares que estén expuestos a la luz solar directa o cercanos a un radiador, calefactor, estufa o cualquier otro aparato de calefacción. Tampoco coloque esta unidad encima de un amplificador u otro equipo que genere calor. Si lo hace, la unidad podría decolorarse o deformarse.
- Para permitir una buena disipación del calor, deje al menos 20 cm entre esta unidad y las paredes u otros componentes del equipo cuando la instale. Si la coloca en un rack, tome precauciones para evitar un sobrecalentamiento, dejando al menos 5 cm libres por encima de la unidad y 10 cm por detrás. Si no deja estos márgenes de seguridad, el calor podría acumularse en el interior y provocar un incendio.
- Si se instala en un rack que tenga una puerta de cristal, no utilice el botón OPEN/CLOSE (▲) (apertura/cierre de la bandeja) del mando a distancia para abrir la bandeja de disco si la puerta está cerrada. Si se impide el movimiento de la bandeja por la fuerza, puede resultar dañada.
- Coloque la unidad en un lugar estable.
- No levante ni mueva la unidad durante la reproducción, porque el disco gira a alta velocidad y puede dañarse.
- Antes de mover la unidad o, por ejemplo, de embalarla para instalarla en un sitio diferente, quite siempre cualquier disco que esté cargado. Si mueve la unidad con un disco en su interior, puede dañarse.
- El voltaje suministrado a la unidad deberá ser el que se indica en el panel posterior. Si tiene dudas al respecto, consulte a un electricista.
- No abra la carcasa de la unidad porque podría causar daños en los circuitos o una descarga eléctrica. En caso de que se introduzca un objeto extraño en la unidad, contacte con su distribuidor.
- Cuando desenchufe el cable de corriente de la toma de electricidad, tire siempre directamente del conector. Nunca tire del cable.

Precaución al grabar con un dispositivo conectado

Algunos discos incluyen señales para impedir que se copien. No se puede grabar la señal de audio digital como tal desde un disco que tenga protección contra copia (se puede grabar el audio como una señal analógica).

Notas sobre los discos

Los símbolos que se muestran a continuación aparecen en los discos y en sus cajas. Esta unidad puede reproducir los discos identificados con estos símbolos sin utilizar un adaptador.

Esta unidad no puede reproducir los discos que no estén identificados con estos símbolos.

Tipos de discos que se pueden reproducir en esta unidad y sus símbolos



Si intenta reproducir cualquier otro tipo de disco con esta unidad, puede originar ruidos a volumen alto capaces de causar daños a los altavoces o lesionar sus oídos. Nunca intente reproducir otros tipos de discos que no sean los mencionados anteriormente.

- Esta unidad no puede reproducir discos DVD vídeo, DVD audio, Vídeo CD, DVD-ROM y CD-ROM, entre otros.
- Es posible que esta unidad no reproduzca correctamente discos duales (DualDisc), discos CD con control de copia u otros CD especiales que no cumplan con la normativa estándar del Libro Rojo del CD. Si se utilizan discos especiales en esta unidad, no se garantiza el funcionamiento ni la calidad del sonido. Si la reproducción de un disco especial le causa problemas, póngase en contacto con el vendedor del disco.

Discos CD-R/CD-RW

Esta unidad puede reproducir discos CD-R/CD-RW que hayan sido grabados en formato de CD audio.

- Asegúrese de finalizar los discos creados con grabadoras de CD.

Dependiendo de la calidad del disco y de las condiciones de la grabación, es posible que algunos discos no puedan reproducirse. Para más información, consulte el manual de instrucciones del dispositivo que esté utilizando.

Manejo de los discos

- Cargue los discos con el lado rotulado hacia arriba (los CD solo pueden reproducirse por una cara).
- Para sacar un disco de su caja, presione primero hacia abajo en el centro de la caja y, a continuación, sujete el disco por sus bordes.

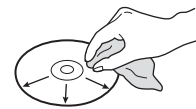
Para sacarlo de la caja



Sujételo por los bordes

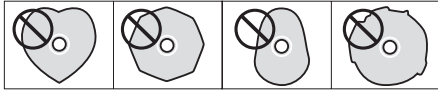


- Maneje los discos con cuidado. Si el lado del disco que contiene los datos (el lado sin rotular) está rayado, tiene huellas o está sucio o empañado, pueden producirse errores de reproducción.
- Si el lado del disco que contiene los datos grabados (el lado sin rotular) se ensucia con huellas o polvo, utilice un paño suave para limpiar la superficie, limpiando desde el centro hacia los bordes. Limpie los discos siempre antes de guardarlos. Si un disco se guarda sucio, puede degradarse su calidad de sonido.



- Nunca utilice limpiadores de discos, tratamientos antiestáticos, disolventes o productos químicos similares para limpiar los discos. Tales productos químicos pueden dañar la superficie del disco.
- No deje los discos en lugares expuestos a la luz del sol directamente, ni tampoco que sean muy húmedos o muy calurosos.
- Si escribe sobre el lado rotulado de un disco, utilice un rotulador de tinta permanente con punta de fieltro. Si usa un bolígrafo u otro objeto de escritura con punta dura, puede estropear el disco y convertirlo en irreproducible.
- Después de terminar la reproducción de un disco, vuelva a guardarlo siempre en su caja. Si no lo hace, puede deformarse o rayarse.
- No ponga etiquetas ni otros materiales en los discos. No utilice discos que tengan residuos de pegamento en su superficie después de quitar una pegatina, adhesivo o similar. Si carga en la unidad un disco en estas condiciones, puede quedarse pegado en el interior de la unidad o dañarla.
- Nunca utilice estabilizadores de CD de los que venden en establecimientos comerciales. Si lo hace, puede estropear el disco o dañar la unidad.
- No utilice discos rotos porque pueden estropear la unidad.

- Nunca utilice discos con formas irregulares, como discos con forma de corazón u octogonales, porque pueden dañar la unidad.



- No utilice discos imprimibles (los que permiten la impresión sobre el lado rotulado). Dado que la superficie de dichos discos ha recibido un tratamiento especial para ello, si se cargan en la unidad, pueden quedarse pegados dentro de la unidad o dañarla.

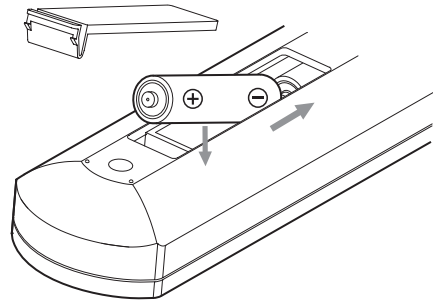
Si tiene dudas de cómo utilizar un disco CD-R o CD-RW, póngase en contacto con el fabricante del disco directamente.

Precauciones al utilizar el mando a distancia

- Cuando utilice el mando a distancia, apunte con él hacia el receptor de la señal del mando a distancia que hay en la unidad principal, a una distancia de 7 m o menos. No coloque obstáculos entre la unidad principal y el mando a distancia.
- El mando a distancia podría no funcionar si el receptor de la señal del mando a distancia está expuesto a la luz solar directamente o a una luz intensa.
- Tenga cuidado, ya que el uso de este mando a distancia podría causar el funcionamiento involuntario de otros dispositivos que puedan ser controlados por rayos infrarrojos.

Instalación de las pilas

Quite la tapa de la parte posterior del mando a distancia e introduzca en el compartimento dos pilas AAA con sus polos \oplus/\ominus orientados como se muestra. Vuelva a colocar la tapa.



Cuándo sustituir las pilas

Si la distancia requerida entre el mando a distancia y la unidad principal disminuye o si la unidad deja de responder a los botones del mando a distancia, cambie ambas pilas por otras nuevas.

Deshágase de las pilas usadas según las instrucciones que figuren en las mismas o los requisitos establecidos por las autoridades locales.



Precauciones con respecto a las pilas

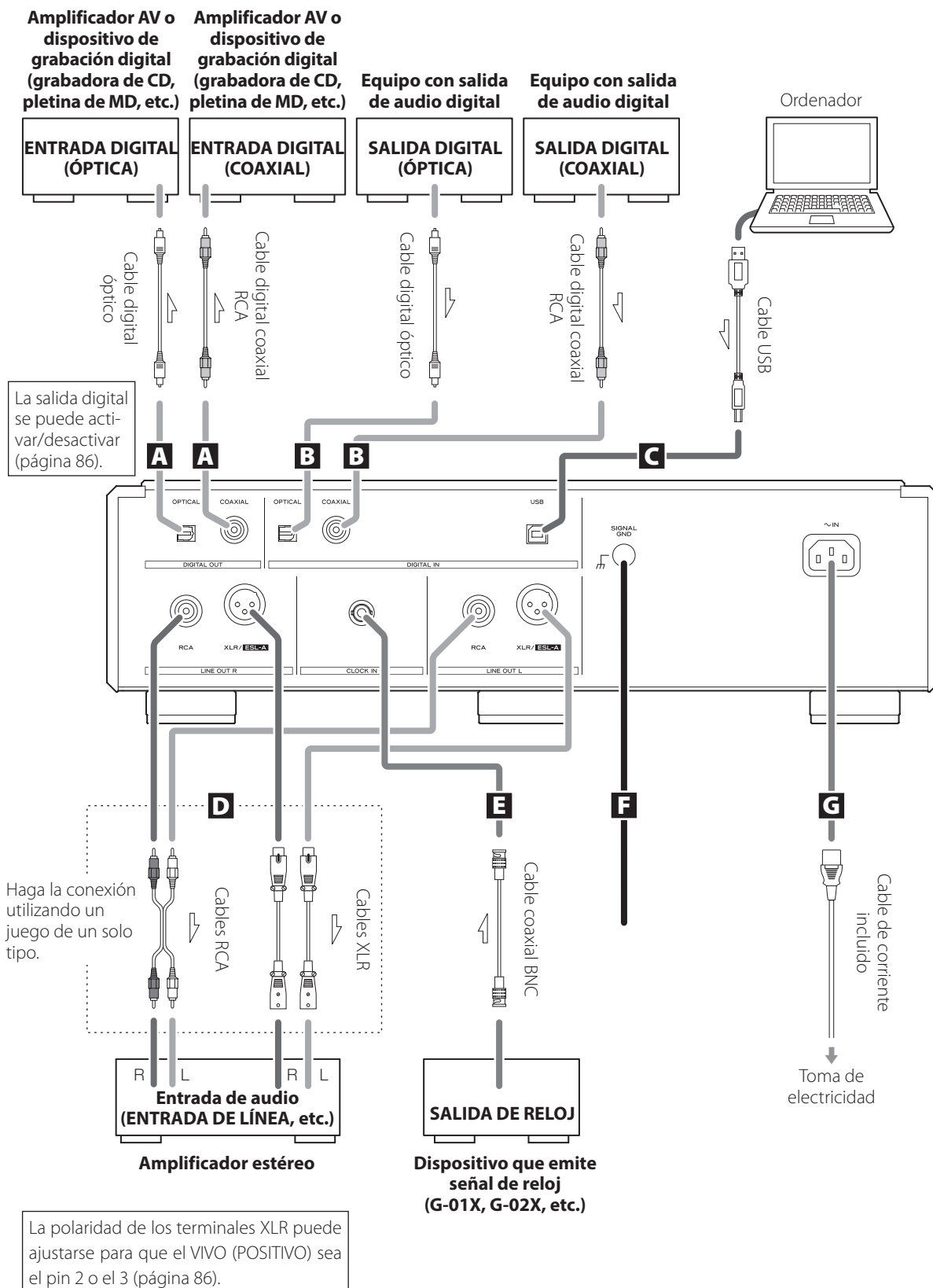
Un mal uso de la pilas podría hacer que se rompan o se sulfaten (pierdan líquido), lo que podría originar fuego, lesiones o la oxidación de materiales cercanos.

Por favor, lea y observe las instrucciones de las precauciones de la página 64 con atención.

Realizar las conexiones

⚠ Precauciones al realizar la conexiones

- Termine todas las conexiones antes de enchufar el cable de corriente a una toma de electricidad.
- Lea los manuales de instrucciones de todos los dispositivos que se van a conectar y siga sus indicaciones.



A Terminales de salida de audio digital (DIGITAL OUT)

Por estos terminales salen las señales de audio digital procedentes de los CD que se reproducen en esta unidad, y también las señales que se introducen en esta unidad a través de los terminales de entrada de audio digital (DIGITAL IN).

Conecte los terminales de salida de audio digital (DIGITAL OUT) de esta unidad a los terminales de entrada de audio digital de otros dispositivos digitales, como por ejemplo un convertidor DA, un amplificador AV o una grabadora.

Utilice cables de los disponibles en establecimientos comerciales para las conexiones.

COAXIAL: cable digital coaxial RCA

OPTICAL: cable digital óptico (TOS)

- Por estos terminales no puede salir el audio digital de los discos Super Audio CD.
- La salida digital se puede ajustar en OFF u ON (página 86).

B Terminales de entrada de audio digital (DIGITAL IN)

Se utilizan para introducir señales de audio digital. Se pueden conectar a los terminales de salida digital de dispositivos de audio apropiados.

Pueden recibir señales de hasta 24 bits con frecuencias de muestreo de 32 kHz – 192 kHz.

Utilice cables de los disponibles en establecimientos comerciales para las conexiones.

COAXIAL: cable digital coaxial RCA

OPTICAL: cable digital óptico (TOS)

C Puerto USB

Se utiliza para introducir audio digital procedente de un ordenador. Conéctelo al puerto USB del ordenador.

Utilice un cable USB de los disponibles en establecimientos comerciales para la conexión.

- Antes de realizar la conexión, lea las páginas 82 y 83.

D Terminales de salida de audio analógico (LINE OUT)

Por estos terminales sale audio analógico en 2 canales. Conecte los terminales XLR o RCA a un amplificador.

Utilice cables de los disponibles en establecimientos comerciales para las conexiones.

XLR: cables XLR

RCA: cables RCA

Conecte el terminal R (derecha) de esta unidad al terminal R del amplificador, y el terminal L (izquierda) al terminal L del amplificador.

- Ajuste la salida en ESLA, XLR2, XLR3, RCA u OFF (página 86).
- Cuando conecte esta unidad a un amplificador que tenga terminales ES-LINK Analog (ESL-A), le recomendamos conectar los terminales XLR de esta unidad a los terminales ES-LINK Analog (ESL-A) del amplificador (página 72).

E Terminal CLOCK IN

Se utiliza para introducir señales de sincronización de reloj.

Cuando utilice un generador de reloj maestro, conecte su terminal de salida de reloj al terminal CLOCK IN de esta unidad.

Utilice un cable coaxial BNC de los disponibles en establecimientos comerciales para la conexión.

- Se pueden utilizar cables coaxiales BNC con 50 Ω o 75 Ω de impedancia.

F Terminal de tierra SIGNAL GND

La calidad del audio podría mejorarse conectando este terminal de tierra a un amplificador u otro dispositivo que esté conectado a esta unidad.

- Este terminal no es una toma de tierra de seguridad eléctrica.

G Entrada para el cable de corriente (~IN)

Conecte en esta entrada el cable de corriente incluido.

Termine todas las conexiones antes de enchufar el cable de corriente a una toma de electricidad.

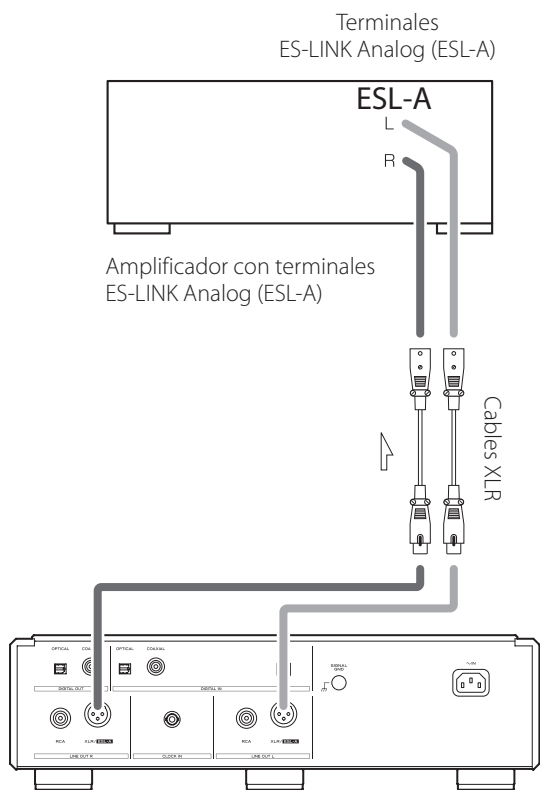


Utilice solamente un cable de corriente ESOTERIC original. El uso de otros cables de corriente puede ser causa de incendio o descargas eléctricas.



Desenchufe el cable de corriente de la toma de electricidad si no va a utilizar la unidad durante un largo periodo de tiempo.

Conexión a través de ES-LINK Analog



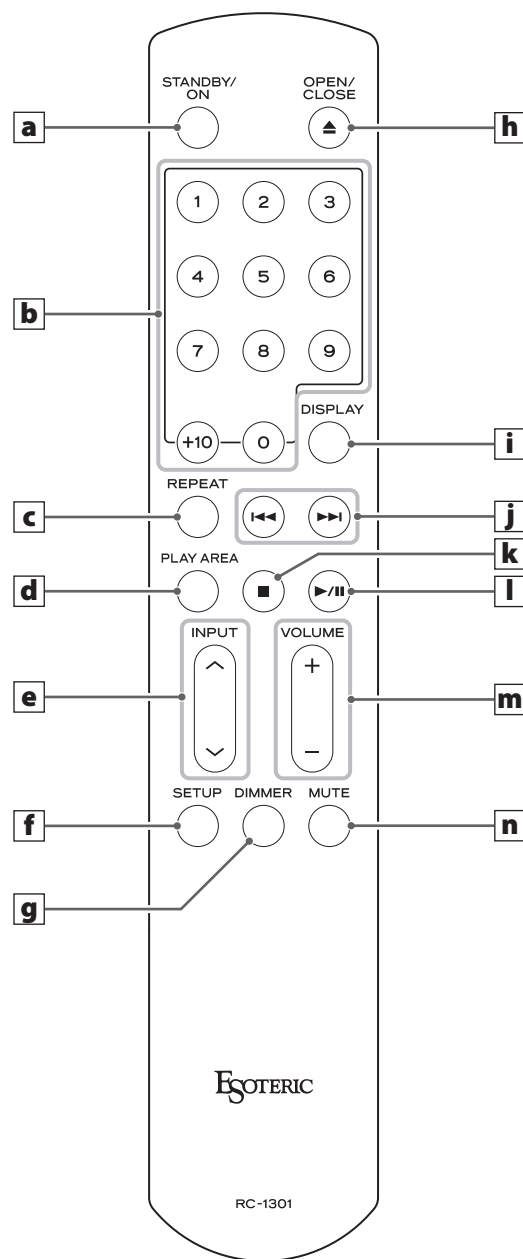
Utilice cables XLR para conectar los terminales de salida de audio analógico (XLR/ESL-A) de esta unidad a un amplificador que tenga terminales ES-LINK Analog (ESL-A).

- Ajuste la salida analógica (AOUT) de esta unidad en ESLA.
- También puede conectar esta unidad mediante los terminales XLR o RCA. Seleccione el tipo de conexión que proporcione la calidad de audio que prefiera.

Acerca de ES-LINK Analog

Mediante la utilización de un método de transmisión de corriente que utiliza el alto rendimiento de un circuito con búfer HCLD capaz de suministrar altos valores de corriente a gran velocidad, se suprimen los efectos de la impedancia en el recorrido de la señal y se posibilita la transmisión de las señales con pureza y potencia.

- Para la conexión se utilizan cables balanceados normales (con conectores XLR). Sin embargo, estos terminales solo se pueden utilizar con dispositivos compatibles, ya que el formato de transmisión es exclusivo.



Cuando la unidad principal y el mando a distancia tienen botones con la misma función, en este manual solo se explica cómo utilizar uno de los botones. El otro botón se puede utilizar de la misma manera.

a Botón STANDBY/ON

Este botón no se utiliza con esta unidad.

b Botones numéricos

Se utilizan para seleccionar pistas (página 79).

c Botón REPEAT

Se utiliza para la reproducción repetida (página 79).
Púlselo y manténgalo pulsado para entrar en el modo de programa (página 80).

d Botón PLAY AREA

Con la reproducción parada, púlselo para cambiar el área de reproducción de un Super Audio CD (página 77).

e Botones INPUT (^/∨)

Estos botones no se utilizan con esta unidad. Se pueden utilizar para cambiar las entradas de amplificadores ESOTERIC.

f Botón SETUP

Este botón no se utiliza con esta unidad. Se puede utilizar con otros productos ESOTERIC, amplificadores incluidos.

g Botón DIMMER

Se puede ajustar el brillo de la pantalla de la unidad principal (página 87).

h Botón de apertura/cierre de la bandeja OPEN/CLOSE (▲)

Púlselo para abrir y cerrar la bandeja de disco (página 76).

i Botón DISPLAY

Durante la reproducción o con ella en pausa, pulse este botón para cambiar lo que se muestra en la pantalla (página 78).

j Botones de salto (◀◀/▶▶)

Púselos para saltar a la pista anterior o siguiente.
Púselos y manténgalos pulsados al menos un segundo durante la reproducción para buscar hacia delante/hacia atrás. Púselos repetidamente y manténgalos pulsados durante más de un segundo para cambiar la velocidad de búsqueda hacia delante/hacia atrás a uno de los tres niveles posibles (página 78).
Se utilizan para cambiar los parámetros en el modo de configuración (página 84).

k Botón de parada (■)

Púlselo para parar la reproducción (página 77).

l Botón de reproducción/pausa (▶/||)

Púlselo cuando la reproducción esté parada o en pausa para volver a comenzar la reproducción (página 77).

Púlselo durante la reproducción para ponerla en pausa (página 77).

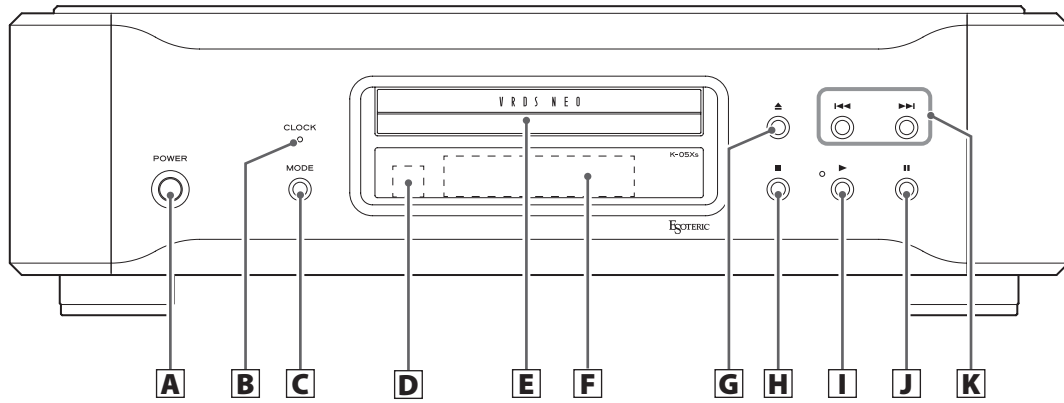
m Botones VOLUME (+/-)

Estos botones no se utilizan con esta unidad. Se pueden utilizar con otros productos ESOTERIC, amplificadores incluidos.

n Botón MUTE

Este botón no se utiliza con esta unidad. Se puede utilizar para silenciar amplificadores ESOTERIC.

Partes y funciones de la unidad principal



● Esta ilustración es del K-05Xs.

A Botón POWER

Púselo para encender y apagar la unidad.
Cuando la unidad está encendida, el anillo de alrededor del botón se ilumina en azul.
Cuando la unidad está apagada, el anillo no se ilumina.

Cuando no utilice la unidad, apáguela.

B Indicador CLOCK

Muestra el estado de la sincronización de reloj.
Este indicador parpadea durante la sincronización de reloj y luce cuando la unidad está sincronizada con la señal.

C Botón MODE

Con la unidad parada, pulse este botón para cambiar la fuente de entrada. Cuando esté ajustado para entrada externa, la unidad se puede utilizar como convertidor D/A (página 81).
Púselo y manténgalo pulsado durante dos o más segundos para cambiar al modo de configuración (página 84).

D Receptor de señales de mando a distancia

Recibe las señales del mando a distancia. Cuando utilice un mando a distancia, apunte el extremo del mando hacia este panel receptor (página 69).

E Bandeja de disco

Cargue aquí un disco para su reproducción (página 76).

F Pantalla

Muestra el tiempo de reproducción, el número de pistas y otra información (página 78).

G Botón de apertura/cierre de la bandeja (▲)

Púselo para abrir y cerrar la bandeja de disco.

H Botón de parada (■)

Púselo para parar la reproducción (página 77).
Con la reproducción parada, púselo y manténgalo pulsado durante al menos dos segundos para cambiar el área de reproducción de un Super Audio CD (página 77).
Púselo mientras está en el modo de configuración para terminar los cambios de configuración y volver a mostrar la pantalla normal (página 84).

I Botón de reproducción (▶)

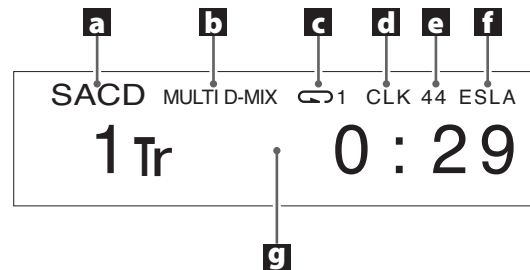
Púselo para iniciar la reproducción del disco (página 76).
Durante la reproducción, se ilumina el indicador situado cerca de este botón.

J Botón de pausa (⏸)

Púselo para poner la reproducción en pausa (página 77).
Cuando la reproducción está en pausa, parpadea el indicador situado cerca del botón de reproducción.

K Botones de salto (⏮/⏭)

Se utilizan para saltar a la pista anterior o siguiente.
Púselos y manténgalos pulsados al menos un segundo durante la reproducción para buscar hacia delante/hacia atrás. Púselos repetidamente y manténgalos pulsados durante más de un segundo para cambiar la velocidad de búsqueda hacia delante/hacia atrás a uno de los tres niveles posibles (página 78).
Se utilizan para cambiar los parámetros en el modo de configuración (página 84).



a Tipo de disco

Muestra el tipo de disco cargado en ese momento.

SACD: Super Audio CD

CD: Audio CD

b Información

Durante la reproducción de un Super Audio CD

Sin indicador:

Está seleccionada el área de dos canales de un Super Audio CD.

MULTI D-MIX:

Aparece cuando el audio multicanal de un Super Audio CD está siendo mezclado a estéreo y enviado a la salida.

DSD DIRECT:

Aparece cuando está seleccionada el área de dos canales de un Super Audio CD y el ajuste de DSD (filtro DSD) es OFF.

Durante la reproducción de un CD y con las entradas COAX, OPT o USB

Sin indicador:

No se está utilizando la función de sobreconversión.

DSD DIRECT:

Si DSD (filtro DSD) está ajustado en OFF, este indicador aparece cuando se introduce una señal DSD.

UPCONV:

El circuito de sobreconversión sobreconvertirá la señal antes de la conversión de digital a analógico.

- El múltiplo de sobreconversión se muestra a la derecha de UPCONV (página 85).

UPCONV DSD:

El circuito de sobreconversión convertirá la señal PCM a señal DSD antes de la conversión de digital a analógico.

c Indicador de repetición

Aparece durante la reproducción repetida (página 79).

d Modo de reloj

Muestra el modo de reloj (página 85).

Sin indicador: CLK ajustado en OFF

CLK: CLK ajustado en SYNC

MCK: CLK ajustado en MCK

e Frecuencia de reloj de entrada

La frecuencia de la señal de sincronización de reloj introducida a través del terminal CLOCK IN se muestra abreviada en la pantalla. Por ejemplo, una frecuencia de 44,1 kHz se muestra como "44".

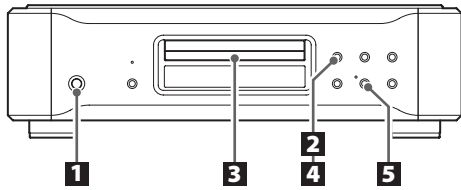
f Ajuste de salida analógica

Muestra el ajuste de salida analógica (AOUT): ESLA, XLR2, XLR3 o RCA.

Cuando el ajuste es OFF, no aparece nada.

g Área de mensajes

Aquí aparecen el tiempo de reproducción y otros diversos mensajes.



1 Pulse el botón POWER para encender la unidad.

POWER



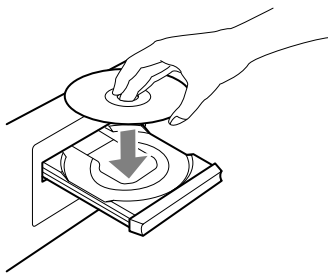
El anillo de alrededor del botón POWER se iluminará en azul.

2 Pulse el botón de apertura/cierre de la bandeja (▲).



La bandeja de disco saldrá hacia delante.

3 Coloque un disco centrado en la bandeja con el lado rotulado hacia arriba.



- Si la bandeja se cierra mientras el disco se encuentra fuera de las guías centrales, el disco podría quedar atascado en el interior y la bandeja podría no volver a abrirse. Asegúrese de colocar siempre los discos dentro de las guías en el centro de la bandeja.

4 Pulse el botón de apertura/cierre de la bandeja (▲).



La bandeja se cerrará. Tenga cuidado de que la bandeja no le pille los dedos al cerrarse.

- La unidad tarda un poco en cargar el disco.
Una vez cargado el disco, en la pantalla aparecerán el tipo de disco, el número de pistas que contiene y el total de tiempo de esas pistas (página 78).

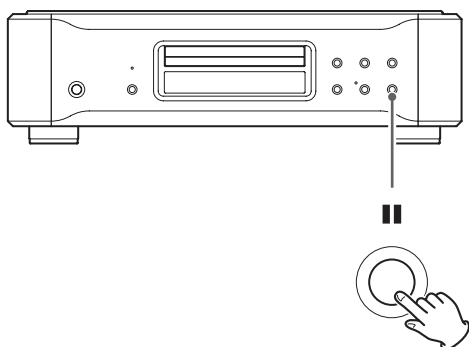
5 Pulse el botón de reproducción (▶).



Comenzará la reproducción.

Durante la reproducción, se ilumina en azul el indicador situado cerca de este botón.

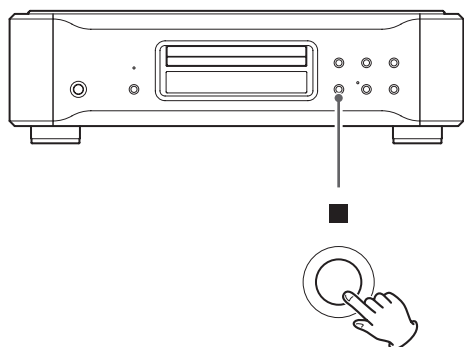
Poner en pausa la reproducción



Durante la reproducción, pulse el botón de pausa (■) para poner en pausa la reproducción. Cuando la reproducción está en pausa, parpadea el indicador de reproducción de la unidad principal.

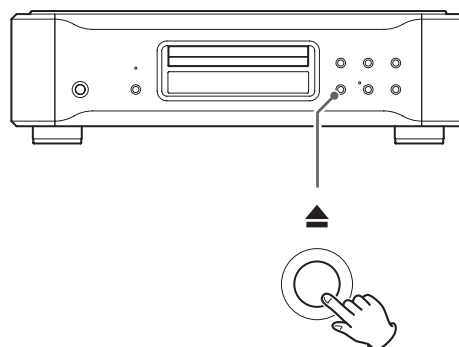
Pulse el botón de reproducción (▶) o de pausa (■) para reanudar la reproducción.

Parar la reproducción



Pulse el botón (■) para parar la reproducción.

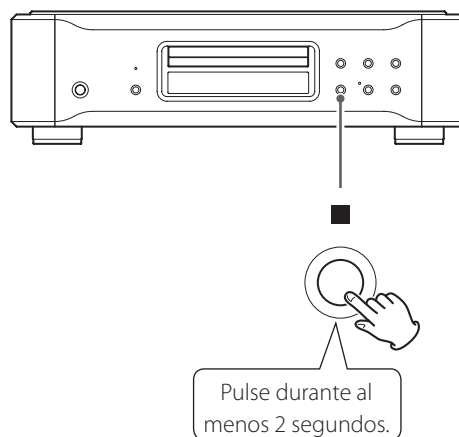
Abrir y cerrar la bandeja de disco



Pulse el botón de apertura/cierre de la bandeja (▲) una vez para abrirla y vuelva a pulsarlo otra vez para cerrarla.

- Si pulsa el botón de apertura/cierre de la bandeja (▲) durante la reproducción del disco, pasarán varios segundos antes de que la bandeja se abra.

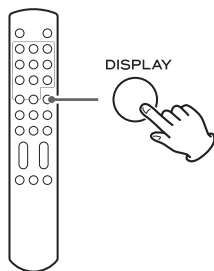
Cambiar el área de reproducción



Algunos discos Super Audio CD tienen varias áreas, entre las que se incluyen el área estéreo (2 canales) y el área multicanal. Los discos Super Audio CD híbridos tienen dos capas, conteniendo una de ellas audio de calidad CD estándar.

Con la reproducción parada, pulse el botón de parada (■) durante al menos dos segundos para cambiar el área de reproducción.

- Para cambiar el área de reproducción con el mando a distancia, pulse el botón PLAY AREA cuando la unidad esté parada.
- Cuando se selecciona el área multicanal de un disco Super Audio CD, el audio multicanal se mezcla reduciéndose a estéreo para su reproducción.



Durante la reproducción del disco y cuando esté en pausa, cada vez que pulse el botón DISPLAY, la información mostrada en la pantalla cambiará como sigue.

Ejemplos:

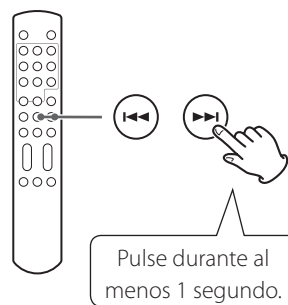


- Cuando la reproducción está parada, se muestra el número total de pistas y el tiempo total de reproducción del disco.

Ejemplos:



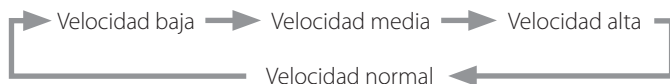
Buscar hacia delante/hacia atrás



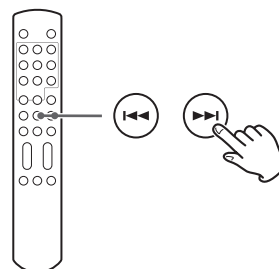
Durante la reproducción, pulse y mantenga pulsado uno de los botones de salto (◀◀/▶▶) de la unidad principal o del mando a distancia (durante al menos un segundo) hasta que comience la búsqueda hacia delante/hacia atrás. Cuando encuentre el punto donde quiera empezar a escuchar, pulse el botón de reproducción (▶) de la unidad principal o el botón de reproducción/pausa (▶/||) del mando a distancia.

Puede cambiar la velocidad de búsqueda hacia delante/hacia atrás pulsando repetidamente y manteniendo pulsado el correspondiente botón de salto (◀◀/▶▶) (durante al menos un segundo cada vez).

También cambia la velocidad con la que < o > parpadea en la pantalla.



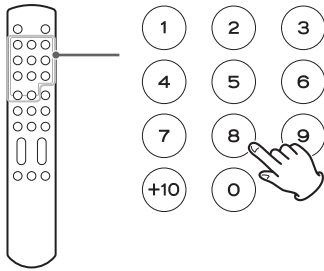
Saltar pistas



Durante la reproducción, pulse uno de los botones de salto (◀◀/▶▶) de la unidad principal o del mando a distancia para saltar a la pista anterior o siguiente y comenzar la reproducción.

- Pulse el botón ◀◀ una vez para regresar al principio de la pista actual. Pulse el botón ◀◀ repetidamente para volver a una pista anterior. Si la posición de reproducción no llega a un segundo desde el principio de la pista actual, al pulsar el botón ◀◀ saltará al principio de la pista anterior.
- Con la reproducción parada o en pausa, utilice los botones ◀◀/▶▶ para seleccionar una pista y ponerla en pausa al principio de la misma.

Utilizar los botones numéricos para seleccionar una pista para su reproducción

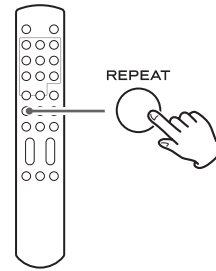


Con la reproducción en marcha o parada, puede pulsar los botones numéricos para seleccionar una pista y empezar a reproducirla. Para reproducir un número de pista de un solo dígito, pulse el botón numérico correspondiente. Para reproducir un número de pista de dos dígitos, pulse el botón +10 tantas veces como sea necesario y luego pulse el botón numérico correspondiente al segundo dígito. Una vez introducido el número de pista, se iniciará la reproducción.

Ejemplos:

Pista 7: **7**

Pista 23: **+10** ⇒ **+10** ⇒ **3**



Durante la reproducción, pulse el botón REPEAT para recorrer cíclicamente los siguientes modos de repetición:



REPEAT TRK

La pista actual se reproducirá repetidamente. Durante la reproducción repetida, seleccione una pista diferente para repetir la reproducción de esa pista.

REPEAT DISC

Todas las pistas del disco se reproducirán repetidamente.

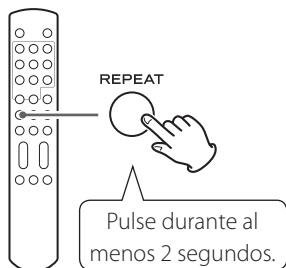
- Al parar la reproducción finaliza el modo de reproducción repetida.

Reproducción programada

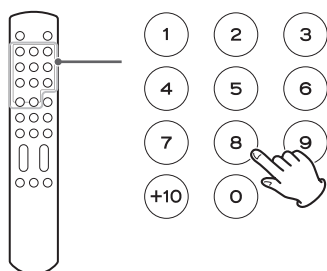
Puede programar hasta un total de 30 pistas en el orden que desee escucharlas.

1 Durante la reproducción o con ella parada, pulse el botón REPEAT durante al menos dos segundos.

Si pulsa este botón durante la reproducción, la pista que se está reproduciendo se añadirá al programa como primera pista.



2 Utilice los botones numéricos para seleccionar las pistas que desee programar.



Ejemplos:

Pista 3: **3**

Pista 12: **+10** ⇒ **2**

Pista 20: **+10** ⇒ **+10** ⇒ **0**



Número de pista programada

Número de programa

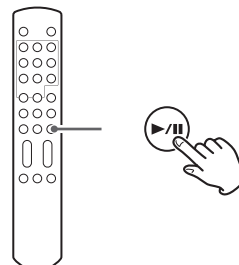
Para programar varias pistas, siga pulsando las teclas numéricas.

- Los números de pistas que no existen en el disco cargado en ese momento no pueden ser añadidas al programa.

3 Cuando haya terminado de añadir pistas al programa, pulse el botón de reproducción/pausa (▶/||).

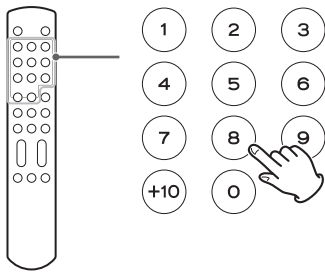
Comenzará la reproducción del programa.

- Si ha creado el programa durante la reproducción, no necesita pulsar el botón de reproducción/pausa (▶/||).



Añadir pistas al final del programa

Durante la reproducción o con ella parada, utilice los botones numéricos para seleccionar la pista que desee añadir.

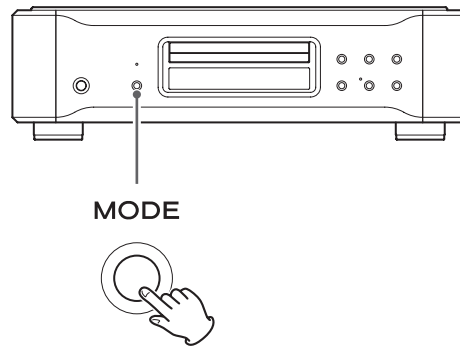
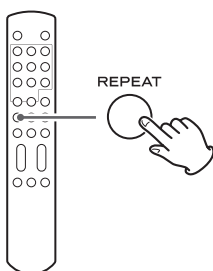


Borrar todo el contenido del programa y volver a la reproducción normal

Durante la reproducción o con ella parada, pulse el botón REPEAT durante al menos dos segundos para finalizar el modo de programa. Pulse el botón REPEAT al menos dos segundos durante la reproducción del programa para reanudar la reproducción normal a partir de ese punto.

- Cuando se reanude la reproducción normal, se borrará el contenido del programa.

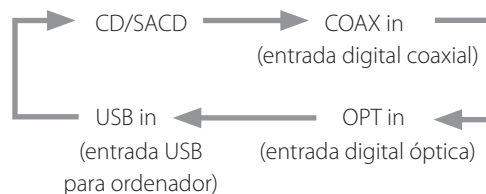
Además, durante la reproducción o con ella parada, si pulsa el botón OPEN/CLOSE (▲) (apertura/cierre de la bandeja) o el botón POWER de la unidad principal, también se borrará el contenido del programa.



Esta unidad se puede utilizar como convertidor D/A cuando la fuente de entrada está configurada como entrada digital externa (COAX in, OPT in o USB in).

Cambiar la fuente de entrada

Con la reproducción parada, pulse el botón MODE repetidamente para recorrer cíclicamente las siguientes fuentes de entrada:



- Cuando está seleccionada una entrada digital externa (COAX in, OPT in, USB in), el nombre y la frecuencia de muestreo de la entrada seleccionada aparecen en la pantalla. Si no hay señal de entrada o la unidad no está sincronizada con la señal de entrada, la frecuencia de muestreo de entrada no se muestra y el nombre de la entrada parpadea.
- Si la señal de entrada no es una señal de audio digital o utiliza un formato de señal de audio que no es compatible con esta unidad (tal como Dolby Digital, DTS o AAC), "- -" aparecerá en lugar de la frecuencia de muestreo. Configure la salida digital del equipo conectado como salida de audio PCM.
- Cuando está seleccionada una entrada externa (COAX in, OPT in, USB in), no funciona ningún control de disco salvo el botón de apertura/cierre de la bandeja (▲).

Instalación del controlador (driver)

Esta unidad se puede conectar a través de USB para utilizarse con un ordenador que funcione con uno de los sistemas operativos indicados a continuación.

No se garantiza el funcionamiento con otros sistemas operativos (a junio de 2018).

Si se utiliza Mac

El controlador funciona con las siguientes versiones:

OS X Lion (10.7)
OS X Mountain Lion (10.8)
OS X Mavericks (10.9)
OS X Yosemite (10.10)
OS X El Capitan (10.11)
macOS Sierra (10.12)
macOS High Sierra (10.13)

- Esta unidad puede funcionar con el software controlador (driver) estándar del sistema operativo, por lo que no hace falta instalar ningún software controlador.
Sin embargo, para utilizar Bulk Pet es necesario instalar un controlador (driver) específico.

Si se utiliza Windows

El controlador funciona con las siguientes versiones:

Windows 7 (32/64 bits)
Windows 8 (32/64 bits)
Windows 8.1 (32/64 bits)
Windows 10 (32/64 bits)

Instalación del controlador (driver) en el ordenador

Antes de poder utilizar esta unidad para reproducir archivos desde un ordenador, primero debe descargar el controlador específico desde la página de descarga de ESOTERIC indicada a continuación e instalarlo en el ordenador.

Página de descarga del software controlador

http://www.esoteric.jp/products/esoteric/usb/usb_driver_e.html

Instale el software controlador específico después de descargarlo de la página mencionada.

ADVERTENCIA IMPORTANTE

Debe instalar el software controlador (driver) específico antes de conectar esta unidad a un ordenador a través de un cable USB.

Si conecta la unidad al ordenador a través de USB antes de instalar el controlador, no funcionará correctamente.

Si desea instrucciones detalladas sobre la instalación del controlador, consulte nuestra página de descargas.

Dependiendo del hardware y del software del ordenador, puede darse el caso de que el funcionamiento no sea posible incluso con los sistemas operativos mencionados anteriormente.

Nota sobre los modos de transmisión

Esta unidad se conecta mediante modo isócrono o Bulk Pet.

Las frecuencias de muestreo que se pueden transmitir son 44,1 kHz, 48 kHz, 88,2 kHz, 96 kHz, 176,4 kHz, 192 kHz, 352,8 kHz, 384 kHz, 705,6 kHz y 768 kHz. También se admite DSD a 2,8 MHz, 5,6 MHz, 11,2 MHz y 22,5 MHz.

- DSD a 22,5 MHz solo se admite con reproducción DSD nativa. No es compatible con reproducción DoP (audio DSD sobre tramas PCM).

Una vez realizada correctamente la conexión, podrá seleccionar "ESOTERIC USB AUDIO DEVICE" como salida de audio del sistema operativo en el ordenador.

Durante la transferencia de datos, los datos de audio enviados desde el ordenador se procesarán utilizando el reloj de esta unidad, reduciéndose así las fluctuaciones que se producen durante la transmisión de datos.

Descarga de la aplicación de reproducción de audio ESOTERIC HR Audio Player

Puede utilizar el reproductor de audio ESOTERIC HR Audio Player para reproducir archivos de audio en un ordenador.

Por favor, descargue esta aplicación gratuita desde la siguiente URL:

http://www.esoteric.jp/products/esoteric/hr_audio/indexe.html

ESOTERIC HR Audio Player es un software de reproducción de audio para Windows y Mac que permite la reproducción en alta calidad de fuentes de audio de alta resolución. Puede utilizarlo para disfrutar de la reproducción en alta calidad de fuentes de audio de alta resolución, incluyendo DSD, sin necesidad de hacer ajustes complicados.

Nota sobre la configuración de ESOTERIC HR Audio Player

Para reproducir grabaciones DSD a 22,5 MHz con ESOTERIC HR Audio Player, abra la ventana "Configure" (Configuración) y ajuste "Decode mode" (Modo de decodificación) en "DSD Native" (DSD nativo).

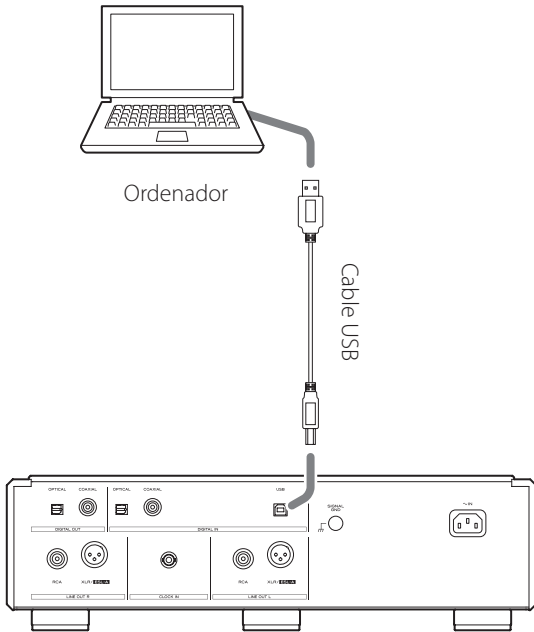
Para reproducir otros formatos que no sean DSD a 22,5 MHz, la configuración puede ser indistintamente "DSD over PCM" (DSD sobre PCM) o "DSD Native" (DSD nativo), como prefiera.

Para más información, consulte "Selecting DSD decoding mode" (Seleccionar el modo de decodificación DSD) en el Manual del usuario de ESOTERIC HR Audio Player.

Reproducción de archivos de audio

1 Conecte esta unidad al ordenador mediante un cable USB.

Utilice un cable que tenga el conector adecuado para esta unidad.



2 Encienda el ordenador.

Confirme que el sistema operativo se ha iniciado correctamente.

3 Pulse el botón POWER para encender la unidad.

POWER



4 Pulse el botón MODE para seleccionar "USB in" (página 81).

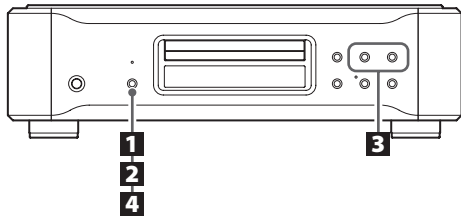
MODE



5 Comience a reproducir un archivo de audio en el ordenador.

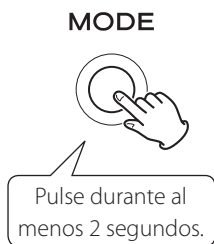
Para obtener mejor calidad de audio, ponga el volumen del ordenador al máximo y ajuste el volumen del amplificador conectado a esta unidad. Ponga el volumen del amplificador al mínimo cuando comience la reproducción y vaya aumentándolo gradualmente.

- El ordenador no se puede utilizar para controlar esta unidad ni esta unidad se puede utilizar para controlar el ordenador.
- Esta unidad no puede transmitir archivos de audio al ordenador a través de USB.
- No lleve a cabo ninguna de las siguientes operaciones cuando se esté reproduciendo un archivo de audio a través de la conexión USB. Si lo hace, podría causar anomalías de funcionamiento en el ordenador. Salga siempre del software de reproducción de audio antes de llevar a cabo alguna de las siguientes acciones:
 - Desconectar el cable USB
 - Apagar esta unidad
 - Cambiar la entrada
- Cuando se reproducen archivos de audio a través de la conexión USB, también se transmiten los sonidos propios del funcionamiento del ordenador. Para evitar que estos sonidos se escuchen, haga los ajustes pertinentes en el ordenador.
- Si inicia el software de reproducción de audio antes de conectar esta unidad al ordenador o antes de seleccionar "USB in" como entrada, los archivos de audio podrían no reproducirse correctamente. Si esto ocurre, reinicie el software de reproducción de audio o reinicie el ordenador.



Cambiar los ajustes

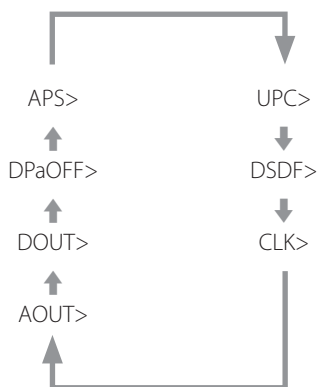
- 1 Durante la reproducción o con ella parada, pulse y mantenga pulsado el botón MODE durante dos o más segundos.**



- 2 Pulse el botón MODE repetidamente para seleccionar los diferentes apartados de configuración.**



Cada vez que pulse el botón MODE, el apartado que aparece en la pantalla cambiará como sigue:



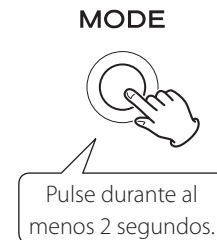
- Dependiendo de la fuente seleccionada y del estado operativo, algunos apartados podrían no aparecer.
- Si no hace nada durante diez segundos o más, el modo de configuración se cancelará y se reanudará la pantalla normal.
- Cuando el menú esté abierto, si pulsa y mantiene pulsado el botón MODE durante al menos dos segundos, o si pulsa el botón de parada (■) una vez, el modo de configuración finalizará y reaparecerá la pantalla normal.

- 3 Utilice los botones de salto de la unidad principal o del mando a distancia (◀◀ / ▶▶) para cambiar los ajustes.**



Para cambiar varios apartados, repita los pasos **2** y **3**.

- 4 Pulse y mantenga pulsado el botón MODE durante dos o más segundos para salir del modo de configuración.**



El modo de configuración finalizará y reaparecerá la pantalla normal si no se hace nada durante diez segundos o si se pulsa el botón de parada (■) una vez.

- Los ajustes se conservan aunque se desconecte la unidad de la corriente.

Ajuste de sobreconversión

UPC>***

- Este ajuste se puede hacer para cada entrada.
- Durante la reproducción de un Super Audio CD, la señal DSD es enviada directamente al convertidor D/A sin sobreconversión.

ORG (original)

La señal de entrada es enviada al convertidor D/A sin sobreconversión.

2Fs

Las fuentes de 32 kHz, 44,1 kHz y 48 kHz se sobreconvierten a valores dobles (64 kHz, 88,2 kHz y 96 kHz respectivamente) y después se envían al convertidor D/A.

4Fs

Las fuentes de 32 kHz, 44,1 kHz, 48 kHz, 88,2 kHz y 96 kHz se sobreconvierten a valores dobles o cuádruples (128 kHz, 176,4 kHz o 192 kHz) y después se envían al convertidor D/A.

8Fs

Las fuentes de 32 kHz, 44,1 kHz, 48 kHz, 88,2 kHz, 96 kHz, 176,4 kHz y 192 kHz se sobreconvierten a valores dobles, cuádruples u óctuples (256 kHz, 352,8 kHz o 384 kHz) y después se envían al convertidor D/A.

16Fs

Las fuentes de 32 kHz, 44,1 kHz, 48 kHz, 88,2 kHz, 96 kHz, 176,4 kHz, 192 kHz, 352,8 kHz y 384 kHz se sobreconvierten a valores multiplicados por 16, 8, 4 o 2 (512 kHz, 705,6 kHz o 768 kHz) y después se envían al convertidor D/A.

DSD

La señal se convierte a formato digital DSD a 22,5 MHz y después se envía al convertidor D/A.

Ajuste de filtro digital durante la reproducción DSD

DSDF>***

OFF

No se utiliza filtro digital.

ON

Se utiliza filtro digital.

Ajuste de reloj

CLK>***

OFF

No se utiliza sincronización de reloj.

SYNC

El reloj maestro de esta unidad se sincroniza con la señal de reloj (44,1 kHz, 48 kHz, 88,2 kHz, 96 kHz, 176,4 kHz, 192 kHz o 10 MHz) que entra a través del terminal CLOCK IN y se utiliza para el funcionamiento.

MCK

Se utiliza como reloj maestro la señal de 22,5792 MHz/24,576 MHz introducida a través del terminal CLOCK IN.

Ajuste de salida analógica

AOUT>***

ESLA

Las señales de audio analógico salen como ES-LINK Analog (ESL-A) a través de los terminales XLR.

- Estas conexiones utilizan cables XLR normales, pero las señales se transmiten en un formato exclusivo, por lo que solo deben utilizarse con dispositivos compatibles.
- Consultar página 72 para más información sobre ES-LINK Analog.

XLR2

Las señales de audio analógico salen por los terminales XLR con pin 2 VIVO (POSITIVO).

XLR3

Las señales de audio analógico salen por los terminales XLR con pin 3 VIVO (POSITIVO).

RCA

Las señales de audio analógico salen por los terminales RCA.

OFF

Las salidas analógicas están inactivas y el convertidor D/A está desactivado.

Ajuste de salida digital

DOOUT>***

- La señal sale sin sobreconversión.
- Durante la reproducción de Super Audio CD, se ajusta automáticamente en OFF.

OFF

No se emite audio digital.

ON

Se emite audio digital.

- Durante la reproducción de un disco, se emite audio digital de CD.
- Durante la entrada COAX o OPT, la señal de entrada se emite tal cual.
- Durante la entrada USB, se emite audio digital para la reproducción de archivos PCM con resoluciones de hasta 192 kHz. Los archivos DSD y los archivos PCM con resoluciones superiores a 192 kHz no se emiten digitalmente.

Ajuste de oscurecimiento automático de pantalla

DPaOFF>***

ON

Si se detiene la reproducción y no se lleva a cabo ninguna operación durante diez minutos, la pantalla OEL se apagará automáticamente.

OFF

Si la reproducción está parada y no se realiza ninguna operación durante diez minutos, la pantalla no se apagará, pero se atenuará a intensidad DIMMER 1 para protegerla de un excesivo desgaste.

- Si la pantalla OEL se deja encendida con la misma indicación durante mucho tiempo, pueden ocurrir irregularidades en el brillo. Por esta razón le recomendamos que ajuste la función de oscurecimiento automático de pantalla en ON.

Ajuste de ahorro de energía automático

APS>***

- El ajuste por defecto es "30m".

Cuando la fuente de entrada sea CD/SACD, la unidad se apagará automáticamente si transcurre la cantidad de tiempo fijada sin que se haya cargado un disco o con el disco parado.

Cuando la fuente de entrada sea COAX in, OPT in o USB in, la unidad se apagará automáticamente si transcurre la cantidad de tiempo fijada sin que se haya podido sincronizar una señal de entrada procedente de la fuente de entrada seleccionada.

- Las fuentes de entrada que no están seleccionadas no influyen sobre la función de ahorro de energía automático.

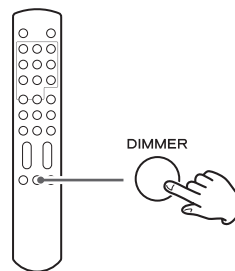
30m
30 minutos

60m
60 minutos

90m
90 minutos

120m
120 minutos

OFF
La función de ahorro de energía automático está desactivada.



Se puede ajustar el brillo de la pantalla de la unidad principal.



- Incluso aunque el ajuste sea "apagada", la pantalla se iluminará con el brillo normal durante unos tres segundos al pulsar ► o cualquier otro botón.
- Incluso aunque el ajuste sea DIMMER 1 o "apagada", los menús de configuración y los mensajes de error se mostrarán con el brillo normal (DIMMER 2).

Si tiene un problema con esta unidad, por favor dedique un momento a revisar la información que le proporcionamos a continuación antes de solicitar servicio técnico. Es más, el problema podría estar causado por algún motivo ajeno a esta unidad. Por favor, compruebe también el funcionamiento de las unidades conectadas. Si aun así este producto no funciona correctamente, póngase en contacto con el distribuidor donde lo compró.

General

La unidad no se enciende.

- ➔ Enchufe el cable de corriente a una toma de electricidad.
- ➔ Compruebe la conexión del cable de corriente a esta unidad.

La unidad se apaga automáticamente.

- ➔ Esto sucede porque la función de ahorro de energía automático la ha apagado. Pulse el botón POWER de la unidad principal para encenderla. Cambie el ajuste de la función de ahorro de energía automático si es necesario (página 87).

El mando a distancia no funciona.

- ➔ Encienda de la unidad principal (página 76).
- ➔ Si las pilas están gastadas, cambie ambas por otras nuevas (página 69).
- ➔ El mando a distancia no funcionará si hay obstáculos entre él y la unidad principal. Apunte con el mando a distancia hacia el panel frontal de la unidad desde una distancia inferior a 7 m (página 69).

Una televisión u otro dispositivo no funcionan correctamente.

- ➔ La utilización del mando a distancia de esta unidad podría hacer que algunas televisiones con funciones de control remoto inalámbrico funcionen incorrectamente.

No se puede reproducir un CD o un Super Audio CD.

- ➔ Pulse el botón MODE repetidamente para seleccionar "CD/SACD" (página 81).
- ➔ Cargue el disco correctamente. Si el disco está boca abajo, vuelva a cargarlo con la cara de la etiqueta hacia arriba.
- ➔ Si el disco está sucio, límpielo (página 68).
- ➔ Si hay condensación dentro de la unidad, enciéndala y déjela encendida durante una o dos horas (página 89).

La unidad no responde cuando se pulsan los botones.

- ➔ Múltiples pulsaciones de botones sin parar pueden hacer que la unidad deje de responder. Después de pulsar un botón, espere un momento hasta que la unidad responda.

Hay ruido.

- ➔ Aleje la unidad lo más posible de televisiones y otros aparatos con fuerte magnetismo.

No sale sonido por los altavoces. El sonido está distorsionado.

- ➔ Compruebe las conexiones con el amplificador y los altavoces (página 70).
- ➔ Ajuste el volumen del amplificador y de los restantes dispositivos.
- ➔ Si el disco está sucio, límpielo (página 68).
- ➔ El audio digital de los Super Audio CD no puede salir por los terminales de salida de audio digital (DIGITAL OUT).
- ➔ Cuando la reproducción está en pausa, no hay sonido. Pulse el botón de reproducción (▶) para reanudar la reproducción normal.
- ➔ Compruebe el ajuste de salida analógica (página 86).

La grabación digital no es posible en un equipo externo conectado.

- ➔ No se puede grabar la señal de audio digital como tal desde un disco que tenga protección contra copia.

Hay una diferencia notable entre el volumen de discos CD y discos Super Audio CD.

- ➔ Puede notar diferencias de volumen entre CD normales y Super Audio CD. Es consecuencia de las diferencias existentes entre los métodos de grabación, masterización y autoría de ambos.

Sincronización de reloj

El indicador CLOCK no deja de parpadear.

- ➔ Ajuste CLK en OFF cuando no utilice sincronización de reloj.
- ➔ Puede estar entrando una señal de reloj con la que la unidad no puede sincronizarse. Compruebe la conexión del terminal CLOCK IN y los ajustes de configuración del dispositivo conectado.

Se escucha un zumbido cíclico.

- ➔ Si se emite un ruido cíclico cuando la unidad está en modo de sincronización de reloj, podría ser que el dispositivo conectado no esté en modo de sincronización de reloj. Compruebe la conexión del terminal CLOCK IN y el ajuste de sincronización de reloj del dispositivo conectado.

Conexiones USB con un ordenador

El ordenador no reconoce esta unidad.

- ➔ Consulte la página 82 para más información sobre los sistemas operativos compatibles. No está garantizado el funcionamiento con sistemas operativos no compatibles.

Hay ruido.

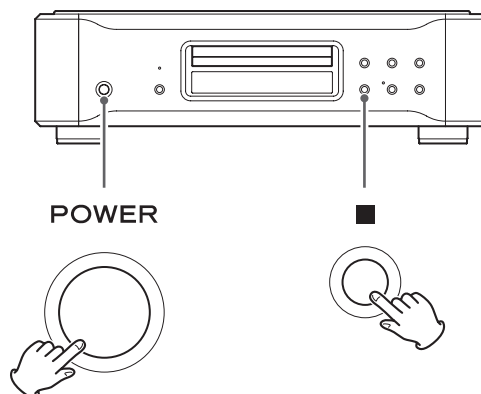
- ➔ Iniciar otras aplicaciones durante la reproducción de un archivo de audio puede interrumpir la reproducción o causar ruido. No inicie otras aplicaciones durante la reproducción.
- ➔ Si la unidad se conecta a un ordenador a través de un "hub" (concentrador) USB, por ejemplo, puede oírse ruido. Si es el caso, conecte la unidad directamente al ordenador.

No se pueden reproducir archivos de audio.

- ➔ Conecte el ordenador a esta unidad y seleccione "USB in" como entrada antes de iniciar el software de reproducción de audio y comenzar la reproducción de archivos de audio. Los datos de audio pueden no reproducirse correctamente si se conecta esta unidad al ordenador o se cambia la entrada a "USB in" después de que el software de reproducción de audio ya haya sido iniciado.

Dado que esta unidad utiliza un microcontrolador, ruidos externos y otras interferencias pueden producir anomalías de funcionamiento en la unidad. Si esto ocurre, apague la unidad y espere aproximadamente un minuto antes de volver a empezar con las operaciones.

Restablecer los ajustes de fábrica



Los ajustes se conservan aunque se desconecte la unidad de la corriente.

Siga este procedimiento para restablecer los ajustes predeterminados de fábrica y borrar todos los cambios de la memoria.

1 Apague la unidad.

Si la unidad está encendida, pulse el botón POWER y espere algo más de 30 segundos antes de continuar.

2 Pulse el botón POWER mientras mantiene pulsado el botón de parada (■) de la unidad principal.

Suelte el botón de parada (■) cuando "Setup CLR" (borrar configuración) aparezca en la pantalla.

Nota sobre la condensación

Si traslada esta unidad de un ambiente frío en el exterior a una habitación cálida, o si la calefacción acaba de encenderse en la habitación donde esté ubicada, por ejemplo, podría producirse condensación en piezas operativas o en las lentes, provocando un funcionamiento anómalo. Si esto sucede, deje la unidad encendida y espere una o dos horas. Así debería restablecerse la reproducción con normalidad.

Especificaciones del K-05Xs

Tipos de discos reproducibles

Super Audio CD, CD (incluidos CD-R y CD-RW)

Salidas de audio analógico

Terminales XLR/ESL-A.....	1 par (izda./dcha.)
Terminales RCA.....	1 par (izda./dcha.)
Impedancia de salida	
XLR.....	40 Ω
RCA.....	15 Ω
Nivel de salida máximo (a 1 kHz, carga de 10 k Ω)	
XLR.....	5 Vrms
RCA.....	2,5 Vrms

Con Super Audio CD, salida XLR

Respuesta de frecuencias.....	de 5 Hz a 55 kHz (–3 dB)
Relación señal/ruido.....	119 dB (ponderado A)
Distorsión.....	0,0013 % (1 kHz)

Salidas de audio digital

COAXIAL.....	1
OPTICAL.....	1

Entradas de audio digital

COAXIAL.....	1
Impedancia de entrada.....	75 Ω
OPTICAL.....	1
Puerto USB (compatible con USB 2.0).....	1 (tipo B)

Entrada de reloj

Conector BNC.....	1
Impedancia de entrada.....	50 Ω
Frecuencias que pueden introducirse (± 15 ppm)	
44,1 kHz, 48 kHz, 88,2 kHz, 96 kHz	
176,4 kHz, 192 kHz, 10 MHz,	
22,5792 MHz, 24,576 MHz	
Nivel de entrada	
Onda rectangular.....	equivalente a niveles TTL
Onda senoidal.....	de 0,5 a 1 Vrms

General

Alimentación	
Modelo para Europa.....	CA 220–240 V, 50/60 Hz
Modelo para EE. UU./Canadá.....	CA 120 V, 60 Hz
Modelo para Corea.....	CA 220 V, 60 Hz
Consumo de corriente.....	22 W
Dimensiones externas (ancho \times alto \times profundo, salientes incluidos)	
445 \times 132 \times 357 mm	
Peso.....	15,1 kg
Temperatura de funcionamiento.....	de +5 $^{\circ}$ C a +35 $^{\circ}$ C
Humedad de funcionamiento.....	de 5 % a 85 % (sin condensación)
Temperatura de almacenamiento.....	de –20 $^{\circ}$ C a +55 $^{\circ}$ C

Accesorios incluidos

Cable de corriente \times 1
Mando a distancia (RC-1301) \times 1
Pilas para el mando a distancia (AAA) \times 2
Almohadillas de fieltro \times 3
Manual del usuario (este documento) \times 1
Tarjeta de garantía \times 1

- Las especificaciones y el diseño están sujetos a cambios sin previo aviso.
- El peso y las dimensiones son aproximados.
- Las ilustraciones de este Manual del usuario pueden diferir ligeramente de los modelos de producción.

Especificaciones del K-07Xs

Tipos de discos reproducibles

Super Audio CD, CD (incluidos CD-R y CD-RW)

Salidas de audio analógico

Terminales XLR/ESL-A.....	1 par (izda./dcha.)
Terminales RCA.....	1 par (izda./dcha.)
Impedancia de salida.....	XLR: 40 Ω RCA: 15 Ω
Nivel de salida máximo (a 1 kHz, carga de 10 k Ω).....	XLR: 5 Vrms RCA: 2,5 Vrms

Con Super Audio CD, salida XLR

Respuesta de frecuencias.....	de 5 Hz a 55 kHz (–3 dB)
Relación señal/ruido.....	119 dB (ponderado A)
Distorsión.....	0,0013 % (1 kHz)

Salidas de audio digital

COAXIAL.....	1
OPTICAL.....	1

Entradas de audio digital

COAXIAL.....	1
Impedancia de entrada.....	75 Ω
OPTICAL.....	1
Puerto USB (compatible con USB 2.0).....	1 (tipo B)

Entrada de reloj

Conector BNC.....	1
Impedancia de entrada.....	50 Ω
Frecuencias que pueden introducirse (± 10 ppm)	44,1 kHz, 48 kHz, 88,2 kHz, 96 kHz 176,4 kHz, 192 kHz, 10 MHz, 22,5792 MHz, 24,576 MHz

Nivel de entrada	
Onda rectangular.....	equivalente a niveles TTL
Onda senoidal.....	de 0,5 a 1 Vrms

General

Alimentación	
Modelo para Europa.....	CA 220–240 V, 50/60 Hz
Modelo para EE. UU./Canadá.....	CA 120 V, 60 Hz
Modelo para Corea.....	CA 220 V, 60 Hz
Consumo de corriente.....	26 W
Dimensiones externas (ancho \times alto \times profundo, salientes incluidos)	445 \times 131 \times 357 mm
Peso.....	14,2 kg
Temperatura de funcionamiento.....	de +5 $^{\circ}$ C a +35 $^{\circ}$ C
Humedad de funcionamiento.....	de 5 % a 85 % (sin condensación)
Temperatura de almacenamiento.....	de –20 $^{\circ}$ C a +55 $^{\circ}$ C

Accesorios incluidos

Cable de corriente \times 1
Mando a distancia (RC-1301) \times 1
Pilas para el mando a distancia (AAA) \times 2
Almohadillas de fieltro \times 3
Manual del usuario (este documento) \times 1
Tarjeta de garantía \times 1

- Las especificaciones y el diseño están sujetos a cambios sin previo aviso.
- El peso y las dimensiones son aproximados.
- Las ilustraciones de este Manual del usuario pueden diferir ligeramente de los modelos de producción.

Dibujos con las dimensiones

K-05Xs

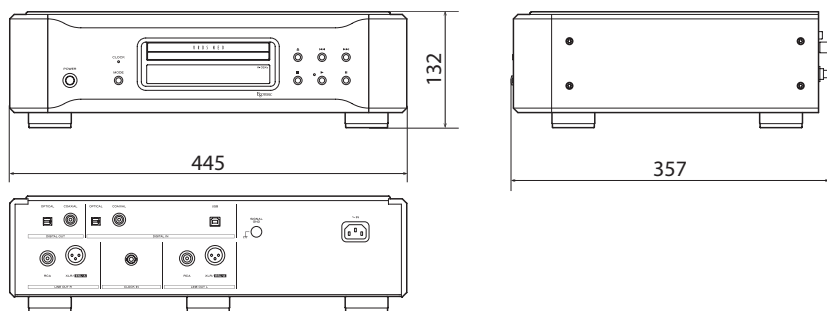
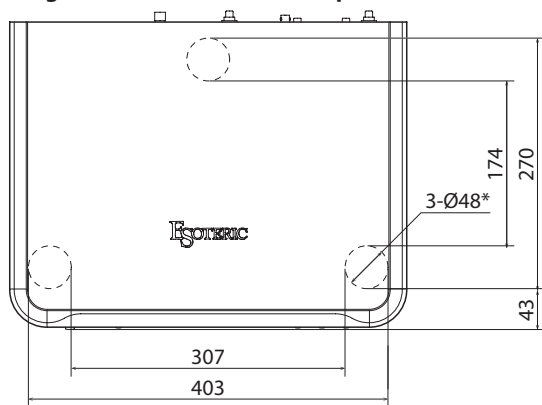


Diagrama de colocación de las patas



K-07Xs

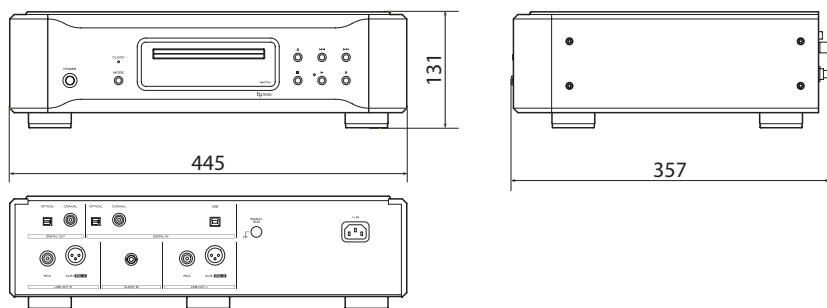
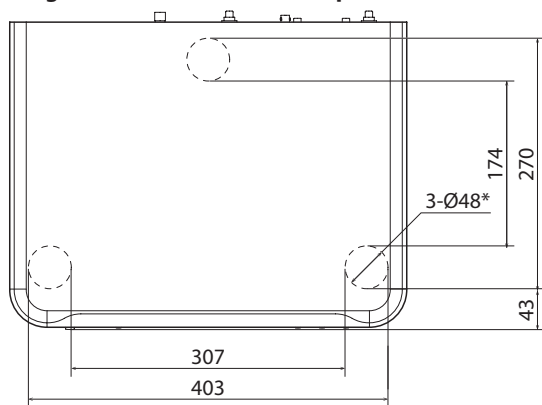


Diagrama de colocación de las patas



* 3 patas de 48 mm de diámetro

Dimensiones en milímetros (mm)

ESOTERIC

TEAC CORPORATION

1-47 Ochiai, Tama-shi, Tokyo 206-8530, Japan Phone: +81-42-356-9156

TEAC AUDIO EUROPE

Gutenbergstr. 3, 82178 Puchheim, Germany Phone: +49-8142-4208-141

This product has a serial number located on the rear panel. Please write it here and retain this for your records.

Model name: K-05Xs/K-07Xs

Serial number

1118-MA-2646B