



Engineering Data Sheet

A 112

12-inch two-way full-range cabinet, passive

Features:

- DH-1K 1.5-inch Titanium Diaphragm Compression Driver
- EVS-12K 12-inch Woofer
- 94 dB SPL sensitivity, 124 dB max. SPL
- 250 W continuous, 1000 W peak power
- 15 mm Plywood Enclosure



Wir weisen ausdrücklich darauf hin, dass bei gehängten Lautsprecherboxen die einschlägigen Sicherheitsbestimmungen zu beachten sind. Es muss unbedingt qualifizierte Fachberatung in Anspruch genommen werden!

We expressly point out that the relevant safety regulations must be observed for "flying" loudspeaker systems. It is imperative that qualified expert advice is sought.

WARNING:

THIS LOUDSPEAKER SYSTEM CAN PERMANENTLY DAMAGE HEARING!
USE EXTREME CARE WHEN SETTING SOUND PRESSURE LEVELS!

DANGER:

CONSULT A CERTIFIED STRUCTURAL ENGINEER BEFORE ANY ATTEMPT TO SUSPEND THIS LOUDSPEAKER! LOUDSPEAKER CAN FALL FROM IMPROPER SUSPENSION, RESULTING IN SEVERE INJURY AND DAMAGE OF PROPERTY. DO NOT SUSPEND OR MOUNT ANY OTHER PRODUCT OR DEVICE FROM THIS LOUDSPEAKER ENCLOSURE! USE GRADE 5 HARDWARE OR BETTER ONLY!

Order No.	A112: F01U270185
Cabinet	Full Range
Nominal impedance	8 Ohms
Minimum impedance	7.0 Ohms
Power Handling	
continuous	250 W
program	500 W
peak	1000 W
Max. SPL (calculated with peak power)	124 dB
Axial Sensitivity	94 dB
Frequency Range (-10 dB)	55 Hz to 20 kHz
Frequency Response (-3 dB)	82 Hz to 18 kHz
Recommended HP Frequency	45 Hz
Coverage (Horizontal x Vertical)	90° x 50°
LF Transducer	1 x EVS-12K, 305 mm (12"), F01U250937
HF Transducer	DH-1K, 39 mm (1.5"), Titanium Diaphragm Compression Driver, F01U250928
Crossover Frequency	2.1 kHz
Connectors	2 x NL4-type
Enclosure Material	9-ply, 15 mm Plywood, internally braced, with textured paint
Grille	18GA Steel with black powdercoat
Handles	1
Product Dimensions (H x W x D)	607 x 362 x 340 mm
Shipping Dimensions (H x W x D)	683 x 430 x 410 mm
Net Weight	16.0 kg
Shipping Weight	20.3 kg
Warranty	5 years
Optional Accessories	
VPM 1500, variable speaker pole	F01U141047
BS 35, speaker stand	F01U141046
SH-A112, Dust Cover	F01U270395
Recommended extensions	
A 118 Subwoofer	F01U270187

Description

Clear, powerful and musical DYNACORD loudspeakers command the stage at high-profile venues and major events worldwide. Born stage-ready, the A-Line includes powered and passive models that all feature DYNACORD-engineered components in solid wood cabinets. Wherever performance matters, A-Line is serious gear for serious sound.

Illustration 1: Dimensions

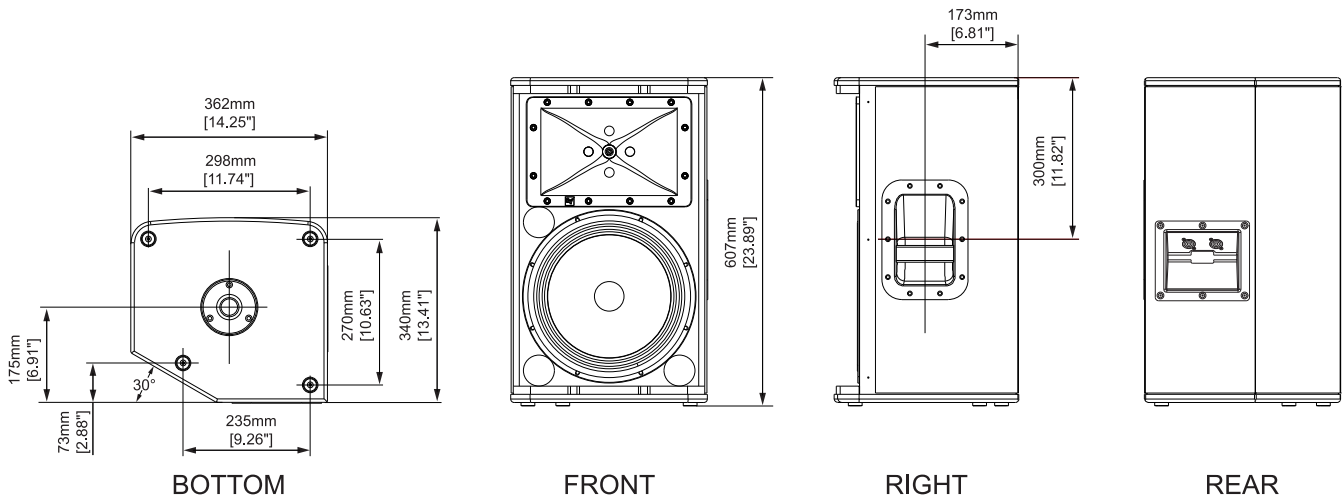


Illustration 2: Circuit diagram

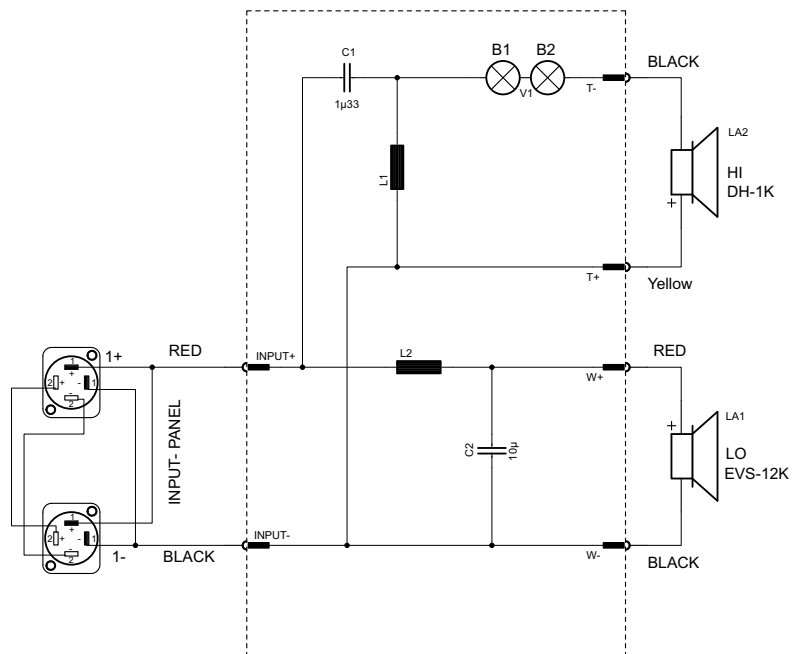


Illustration 3: Frequency Response

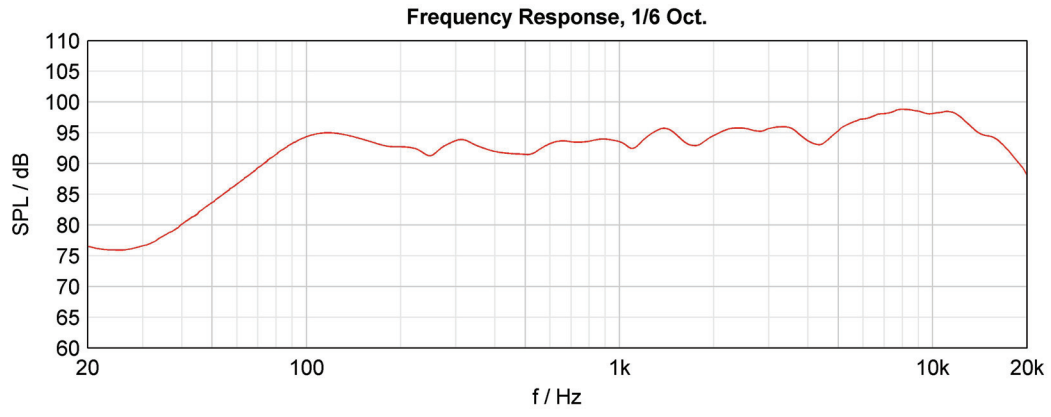


Illustration 4: Impedance

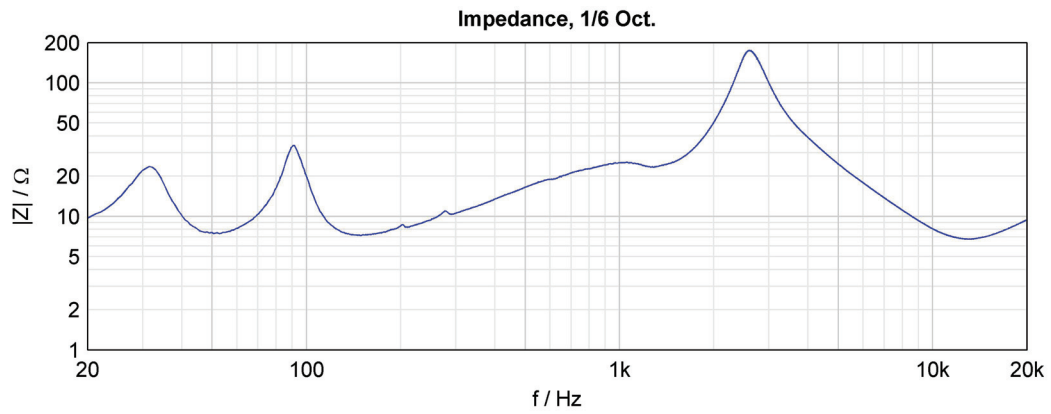


Illustration 5: System example, four A 112 connected to the two output channels of a DYNACORD SL 1200 power amplifier

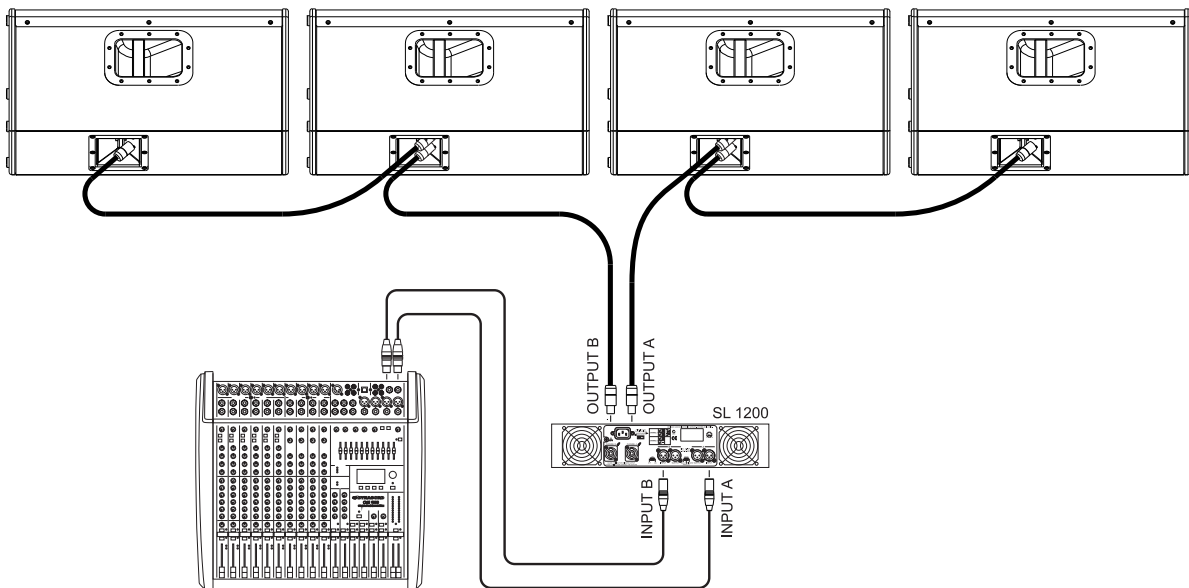


Illustration 6: System example, two A 112 connected to a SL 1200 power amplifier, a CMS 1000-3 is used as signal source

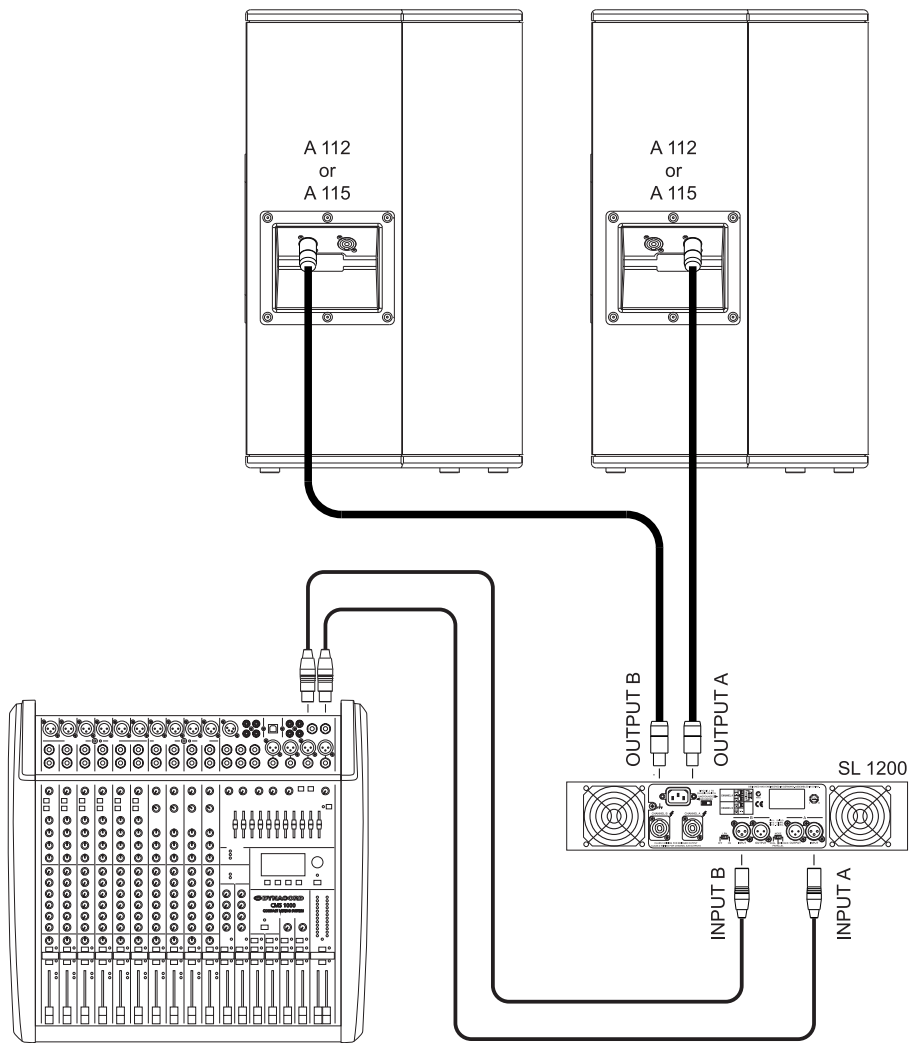
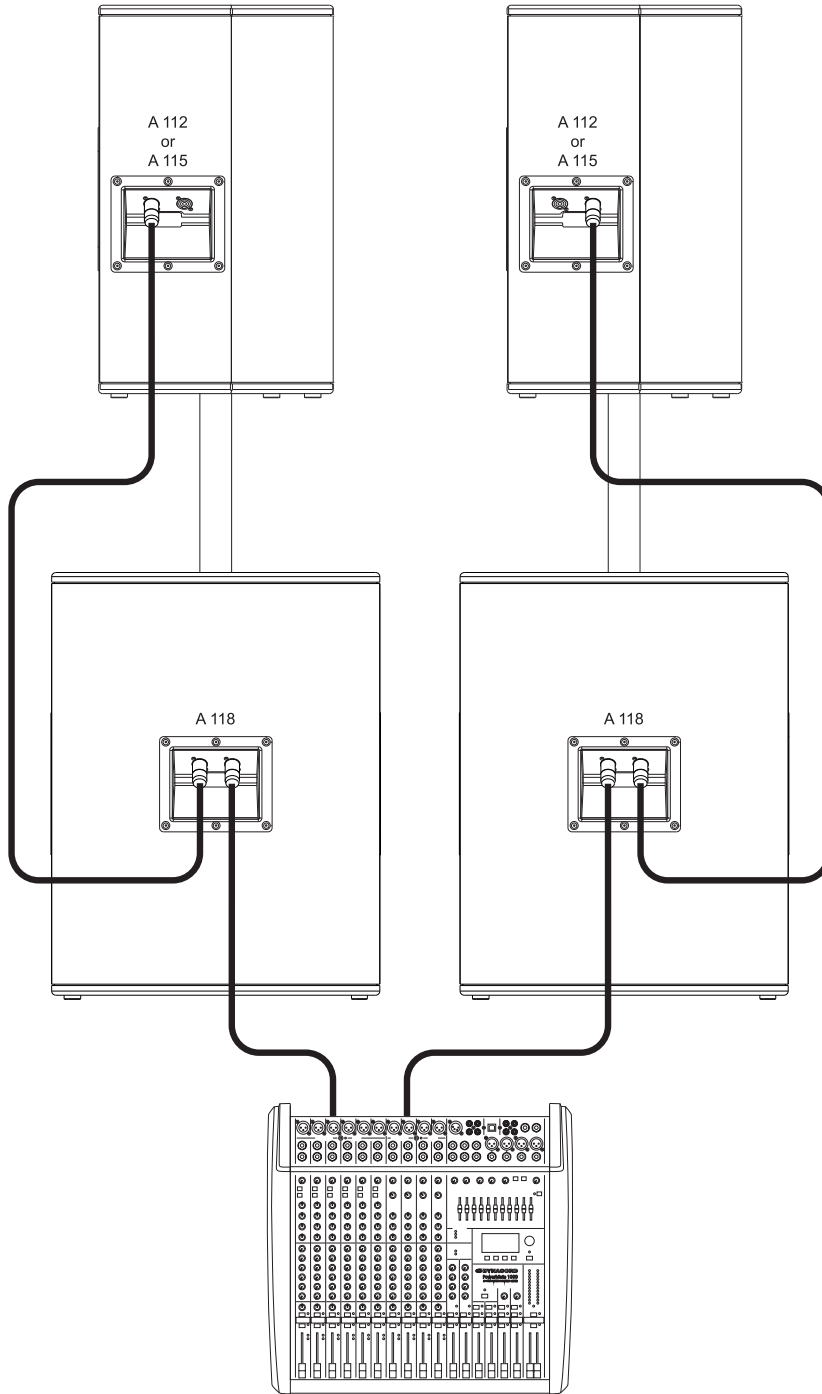


Illustration 7: System example, two A 112 and two A 118 subwoofers connected to a PowerMate 1000-3





12000 Portland Avenue South, Burnsville, MN 55337, USA
Phone: +1 952/844-4051, Fax: +1 952/884-0043

www.dynacord.com

© Bosch Communications Systems 10/2012

Part Number F01U270185 Vs 03

Europe, Africa, and Middle East only. For customer orders, contact Customer Service at:
+49 9421-706 0 Fax: +49 9421-706 265

Asia & Pacific only. For customer orders, contact Customer Service at:
+65 6571 2534 Fax: +65 6571 2699

For technical assistance, contact Technical Support at: **+49 9421-706 0**

Specifications subject to change without notice.