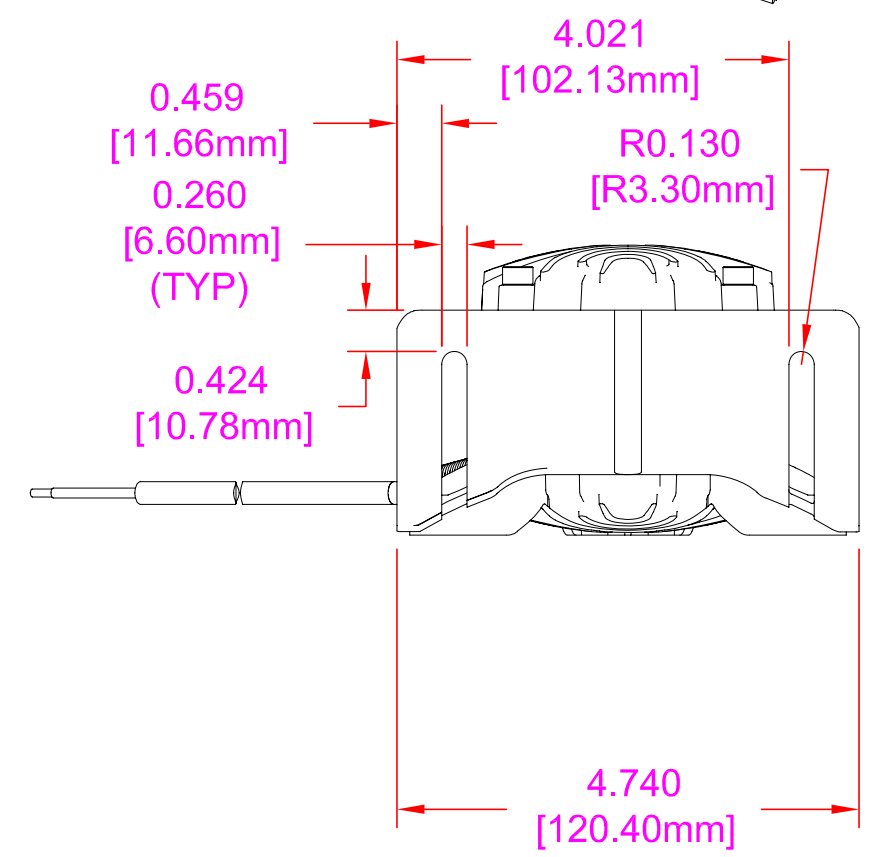
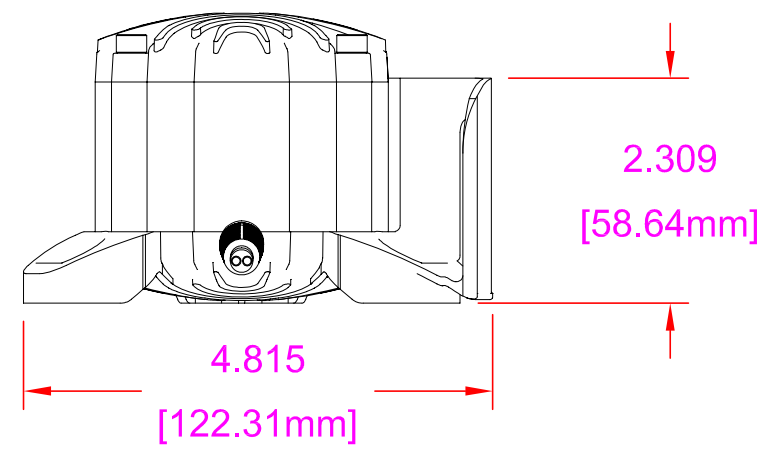
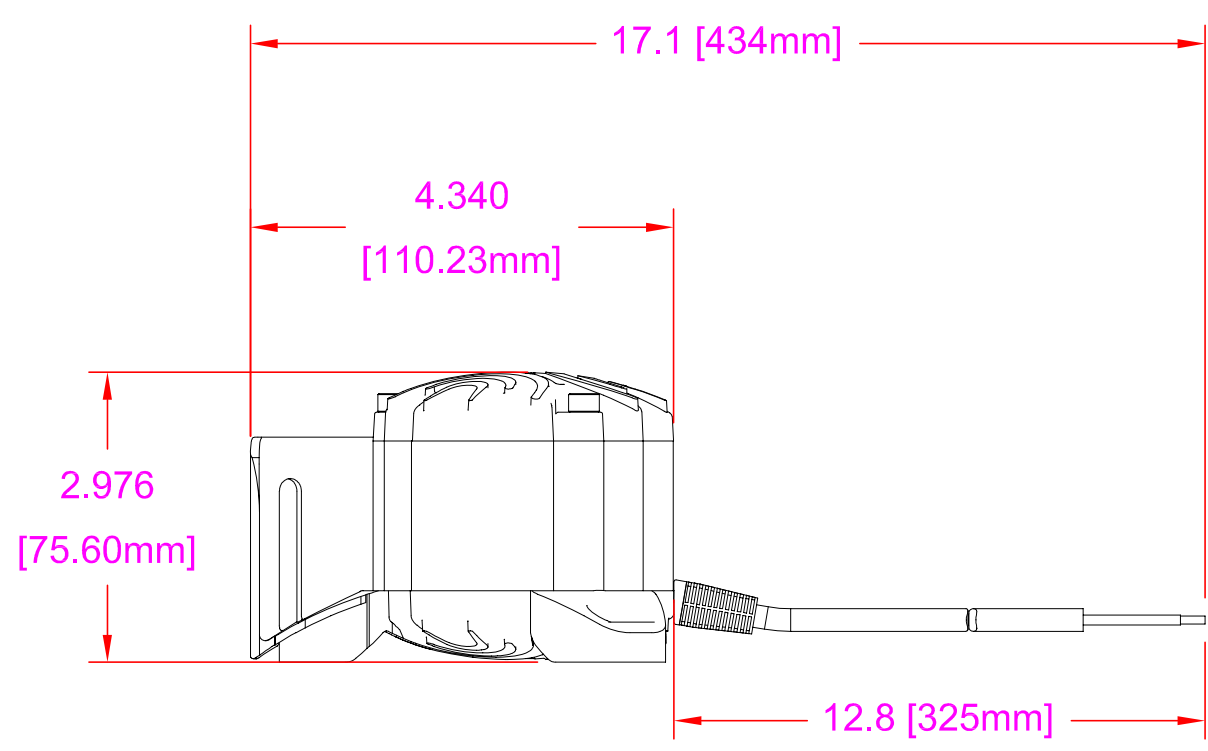
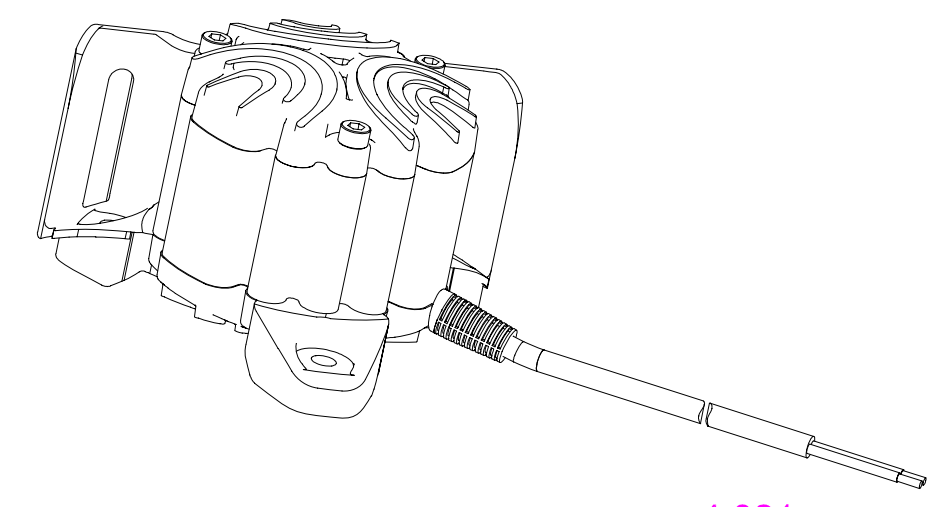
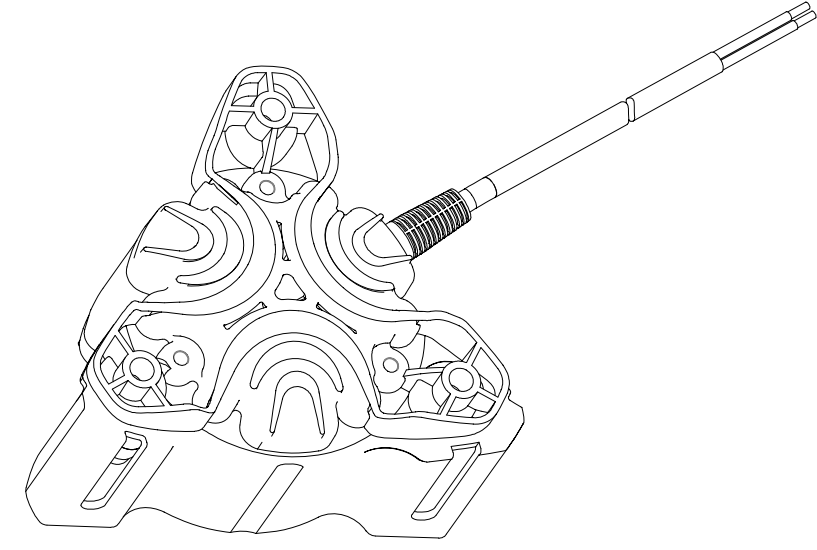
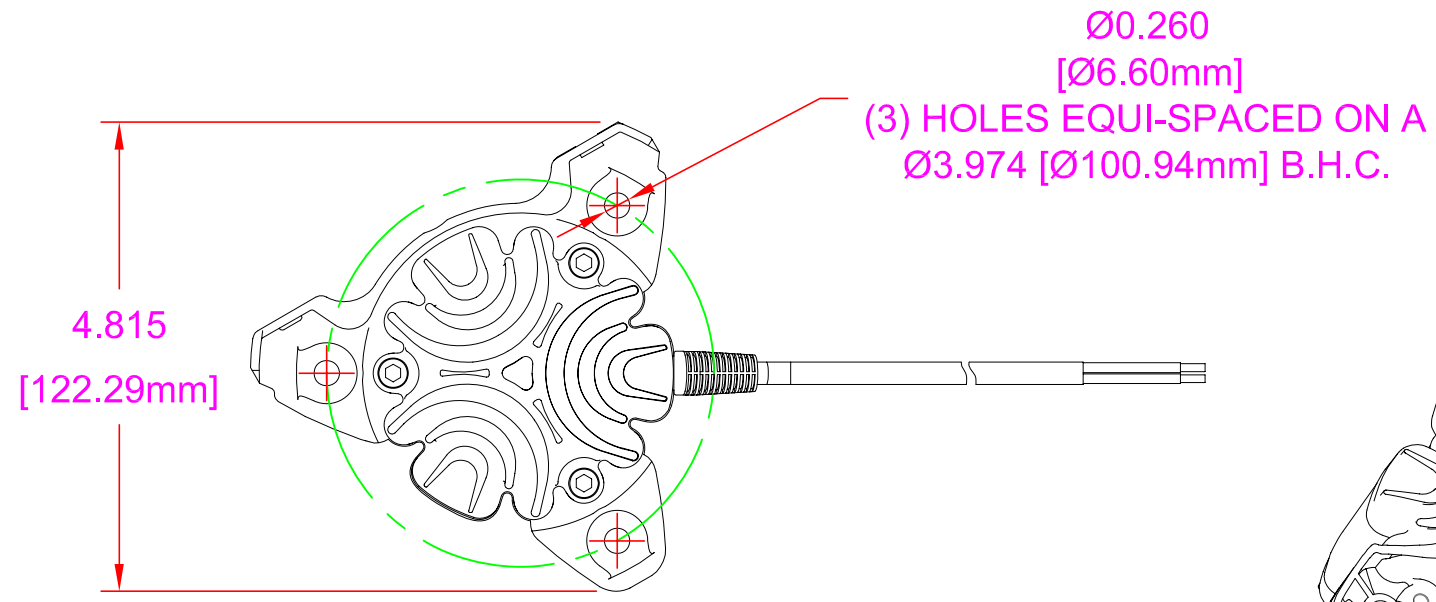


DATE	SYM.	REVISION RECORD	DR.	CK.	REQ. BY



DISCLAIMER:
 This document contains confidential and proprietary information of The Guitammer Company and neither it nor the information contained therein shall be disclosed or duplicated or used by others without the express written consent of The Guitammer Company.

TOLERANCES (EXCEPT AS NOTED)	
2 PLC. DECIMAL INCHES ± 0.010	1 PLC. DECIMAL [mm] ± 0.25
3 PLC. DECIMAL INCHES ± 0.005	2 PLC. DECIMAL [mm] ± 0.13
ANGULAR $\pm 2^\circ$	

The Guitammer Company
 Westerville, OH

Drawing Units INCH/[MILLIMETER]	Title BK MINI ASSY	Date Issue 4-11-05
THIRD ANGLE PROJECTION	Drawn By: M.M.	Initiated By: B.W.
Scale 1:2	Part / Dwg NO. BK-MINI_ASSEMBLY	REV 0