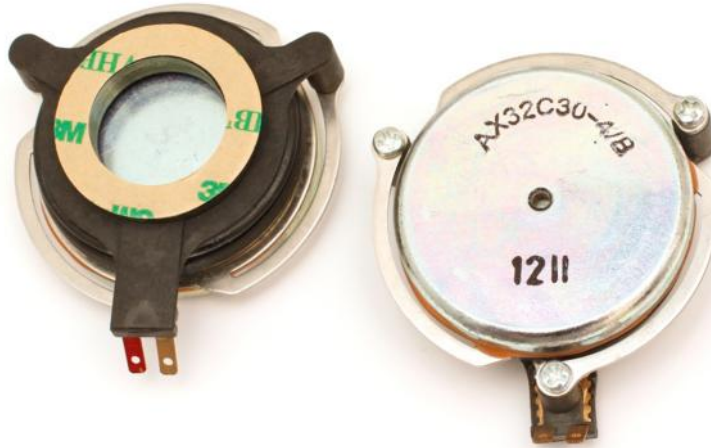


TEAX32C30-4/B Balanced Exciter

✓RoHS
COMPLIANT



Features

- Impedance: 4 ohm nominal
- Dimensions: 53.00mm x 53.00mm
- Thickness: 19.60mm
- Mass: 130g
- Self-adhesive mounting
- Shock and dust-resistant

Applications

- Automotive
- Out-door environment applications

Description

The TEAX32C30-4/B balanced exciter is a serviceable, semi-sealed audio exciter with excellent durability, originally designed for automotive applications. A rubber seal around the magnet cup seals the voice coil assembly from the outside environment. The exciter is supplied with a self-adhesive screw-in adaptor for easy serviceability.

Parameters

Parameter	Description	min	typ	max	Units
R_e	DC resistance	-10%	3.4	+10%	Ohms
L_e	Inductance (@ 10kHz)	-10%	0.10	+10%	mH
BW_A	Audio frequency range	100	-	20000	Hz
P	Rated power (IEC268-5)	-	-	30	W
BL	Force factor	-	3.5	-	Tm
s	Motor efficiency factor	-	3.6	-	$(Tm)^2 \text{ }^{-1}$
f_s	Resonant frequency	-10%	260	+10%	Hz
f_m	Magnet resonance	-10%	100	+10%	Hz
d_{Drv}	Voice coil diameter	-	32.0	-	mm
M_{ms}	Moving mass	-	6.7	-	g
M_{mm}	Magnet mass	-	126	-	g
C_{ms}	Compliance	-	0.24	-	mmN^{-1}
R_{ms}	Suspension loss	-	1.5	-	Nsm^{-1}
$X_{mech \text{ max}}$	Maximum coil excursion (p-p)	-	3	-	mm
Temp	Operating temperature range	-20	-	60	°C

Response

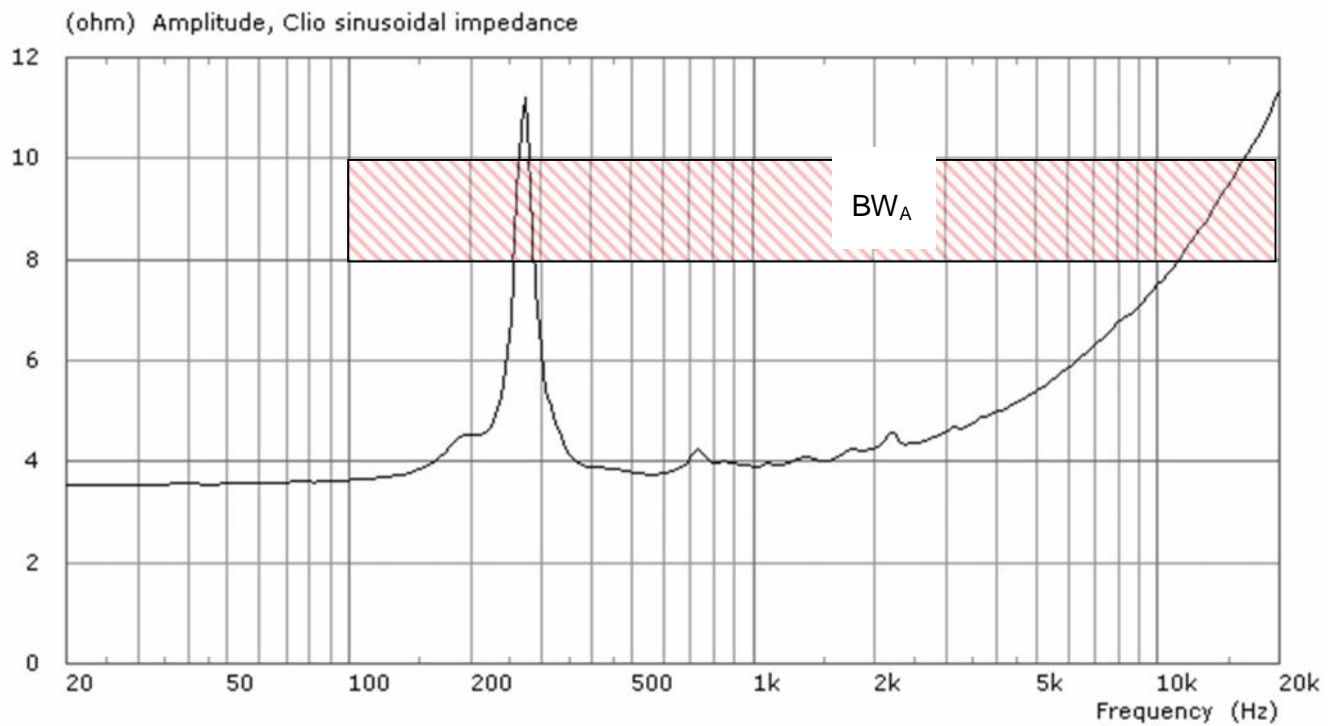


Figure 1. Impedance vs. frequency

Outline Drawing

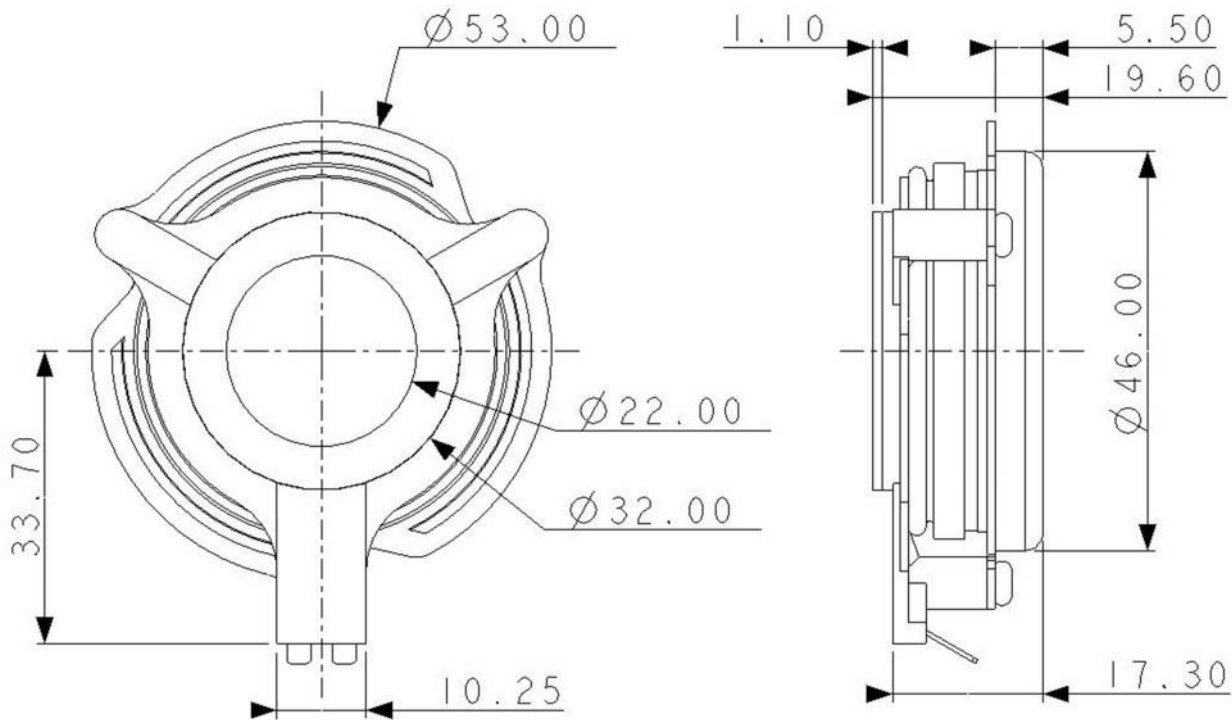


Figure 2. Nominal dimensions

Disclaimer: The information in this Data Sheet is subject to change without notification.

Please note: you should check that your intended application of this Tectonic product does not infringe the patent (or other intellectual property) of any third party. Tectonic does not give any warranty in this regard.

Please see <http://www.tectonicelements.com> for Terms and Conditions of Sale.