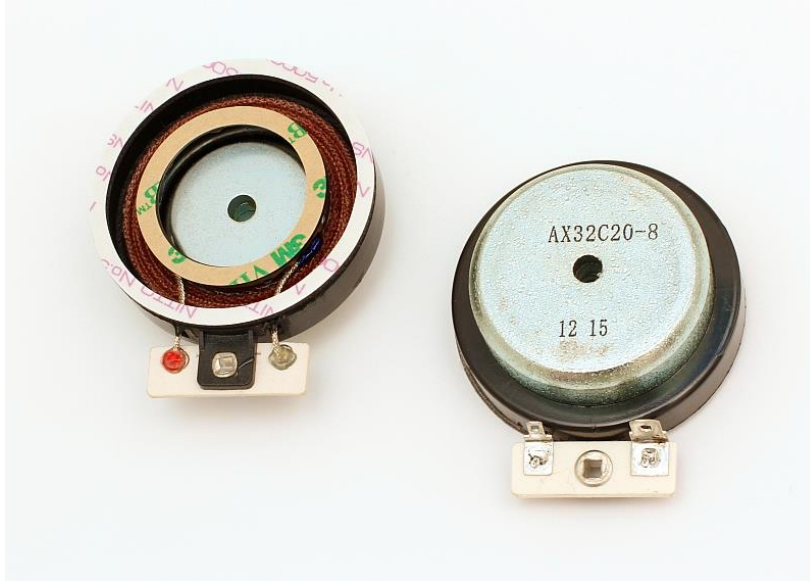


## TEAX32C20-8 High Power Exciter



### Features

- Wide bandwidth and wide directivity
- Impedance: 8 ohm nominal
- Outside Diameter 51.2mm
- Thickness: 22.5mm
- Mass: 150g

### Applications

- Signage
- Interactive displays
- Industrial control

### Parameters

### Description

The TEAX32C20-8 high power 32mm voice coil 8ohm exciter provides high electro-magnetic efficiency and exceptional power handling. It is designed for commercial and industrial audio, driving heavy, rigid surfaces.

Parameter	Description	min	typ	max	Units
$R_e$	DC resistance	-10%	7.4	+10%	Ohms
$L_e$	Inductance (@ 10kHz)	-10%	1.0	+10%	mH
$BL$	Force factor	-10%	7.4	+10%	Tm
$f_s$	Resonance frequency	-20%	400	+20%	Hz
$f_m$	Magnet resonance	-20%	90	+20%	Hz
$d_{Drv}$	Voice coil diameter		32		mm
$M_{ms}$	Moving mass		3.4		g
$C_{ms}$	Compliance		0.046		mmN <sup>-1</sup>
$R_{ms}$	Suspension Loss		0.85		Nsm <sup>-1</sup>

## Operating conditions

Condition	Value
Continuous power handling(weighted pink noise)	10W
Burst power handling(weighted pink noise)	>20 W
Operating temperature range	-20 to 55° C
Audio frequency range	100Hz to 15kHz

## Response

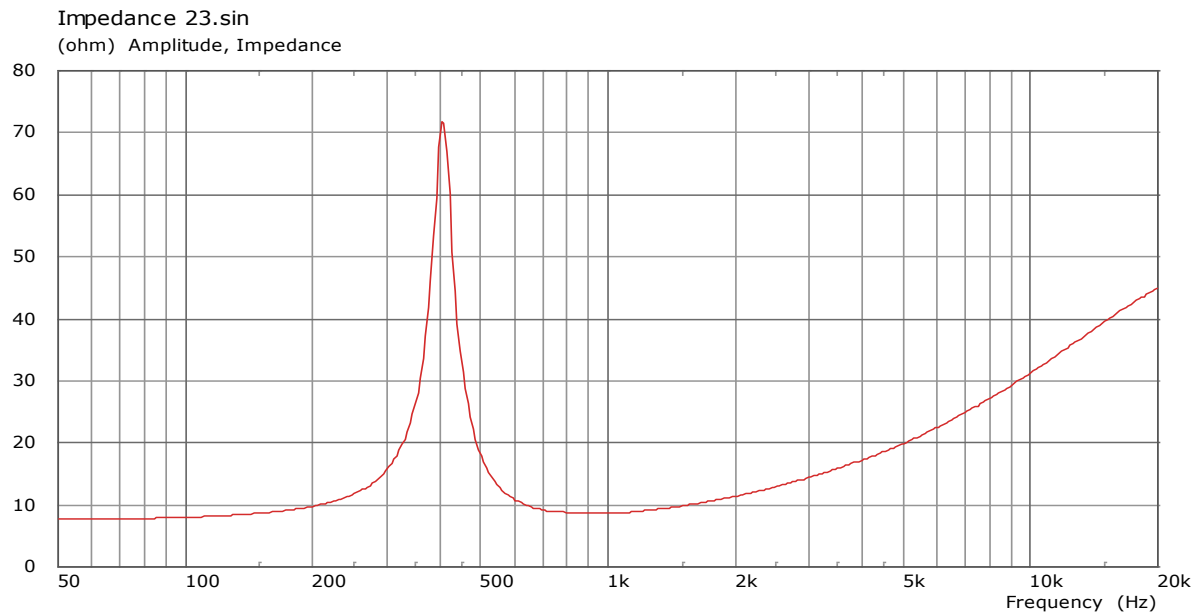


Figure 1. Impedance vs. frequency, free coil.

## Outline Drawing

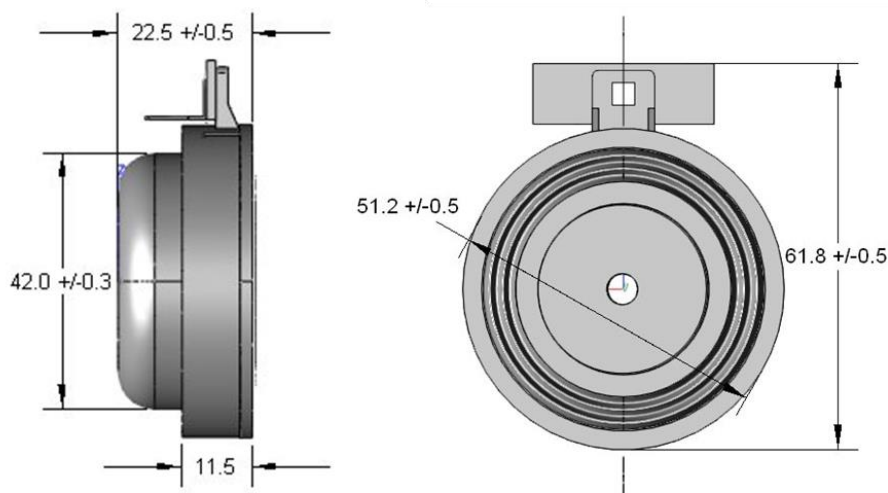


Figure 2. Nominal dimensions.

*Disclaimer: The information in this Data Sheet is subject to change without notification.*

*Please note: you should check that your intended application of this Tectonic product does not infringe the patent (or other intellectual property) of any third party. Tectonic does not give any warranty in this regard. Please see <http://www.tectonicelements.com> for Terms and Conditions of Sale.*